

<b>This Guide is for all Truck Guard Models, including (where applicable):</b>
Aero
Defender
Texas
Big Texas
Road Train
Super Road Train

Thank you for choosing HERD!

For assistance call  
1-888-543-4373  
[www.HERD.com](http://www.HERD.com)

Truck I.D.	Truck Models
FL35	Freightliner Classic & FLD120 - SFA
	

### Important

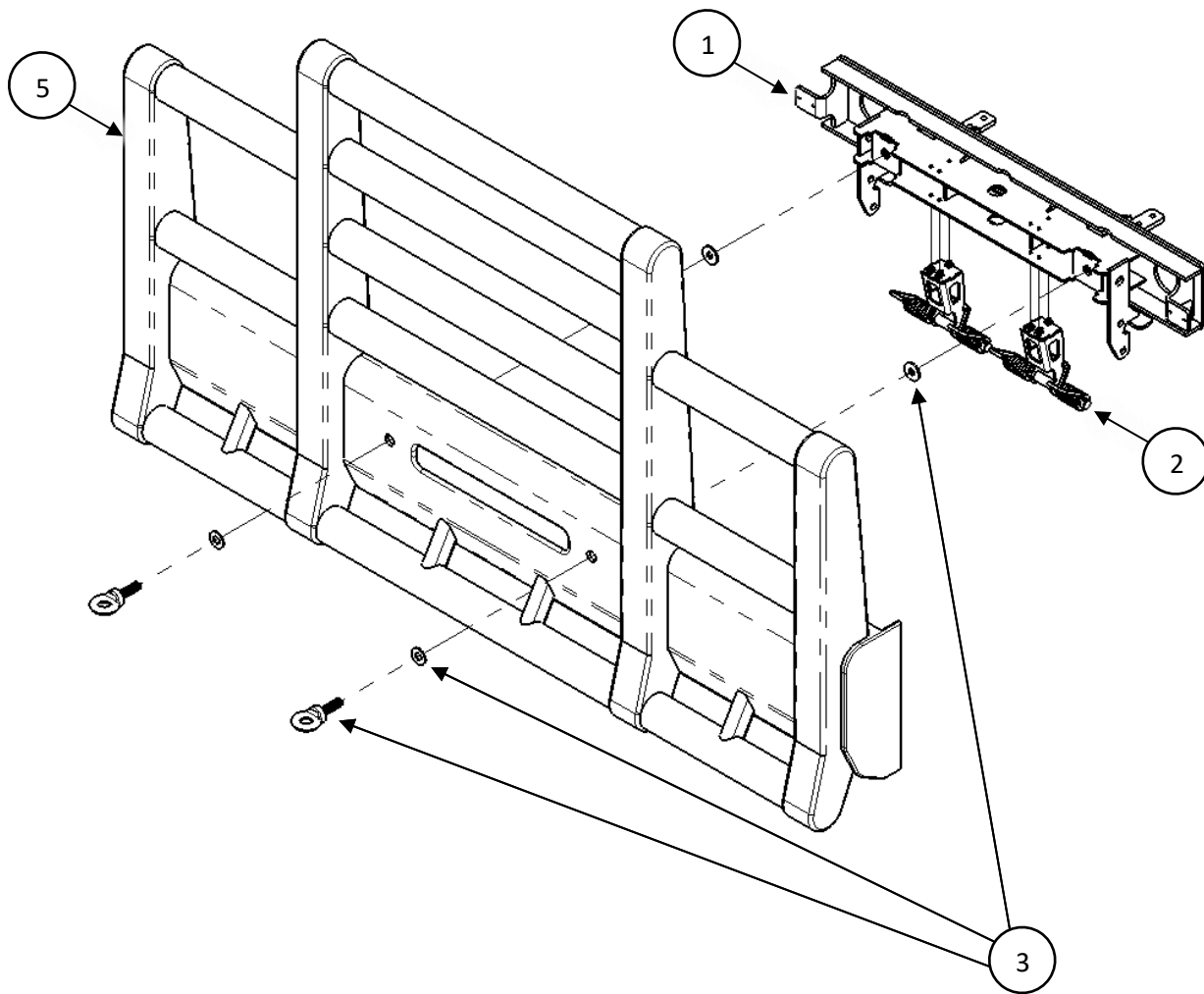
- Herd Truck Guards are vehicle "Make & Model" specific. Use of a Truck Guard on a vehicle other than the model it was designed for will constitute improper use of the product and may void warranty.
- Unless otherwise specified, Grade 8 or Class 10.9 hardware is to be used. For the purposes of these instructions, OEM hardware means the truck's original factory hardware.
- For further detail of warranty coverage and warranty repair information visit [www.HERD.com](http://www.HERD.com).

### General Safety

- Take time to fully read the instructions before installing the Herd Truck Guard.
- At all times exercise safe work shop practices, wear steel toe boots and safety glasses during installation.
- Parts and components of the Herd Truck Guard can be heavy, handle with care to avoid injuries.
- Respect power tools and use them as advertised.

HERD North America Inc.  
2168 Springfield Road  
Box 28, Group 525, RR5  
Sunnyside, MB Canada R5R 0J3

**Reference this Parts List if your Truck Guard has a CEB (Captive Eye Bolt) Latching System**



**Figure 1 – Captive Eye Bolt Latching System**

**Table 1: Parts and Hardware Included**

Item No	Part No	Description	Qty
1	BR-FL35-AT (Only with Aero, Road Train, Super Road Train, Texas, & Big Texas Versions) or BR- FL35-FLT (Only with Defender Version)	BRACKET, Freightliner Classic & FLD120 - SFA	1
2	1MPA027 (Only with Aero, Road Train, Super Road Train, Texas, & Big Texas Versions) or 1MPA024 (Only with Defender Version)	ASSY - LEGACY LIFT ASSIST	2
3	7-EYEBOLT KIT	CAPTIVE EYEBOLT ASSEMBLY	2
5	HERD TRUCK GUARD	TRUCK GUARD APPEARANCE MAY VARY BY SKU	1
*6	W-9SH	SHIM - U SHAPE, 0.128" THICK	8
*7	W-8SH	SHIM - U SHAPE, 0.064" THICK	8
*8	500167	NUT-NYLOCK 1/2-13 NC GR8 YZP	9
*9	500091	BOLT-HEX 1/2-13X4 NC GR8 YZP	6
*10	500089	BOLT-HEX 1/2-13X3 NC GR8 YZP	3
*11	500206	WASHER-FLAT 1/2 SAE GR8 YZP	18

**Items marked with \* are not shown in Figure 1 above**

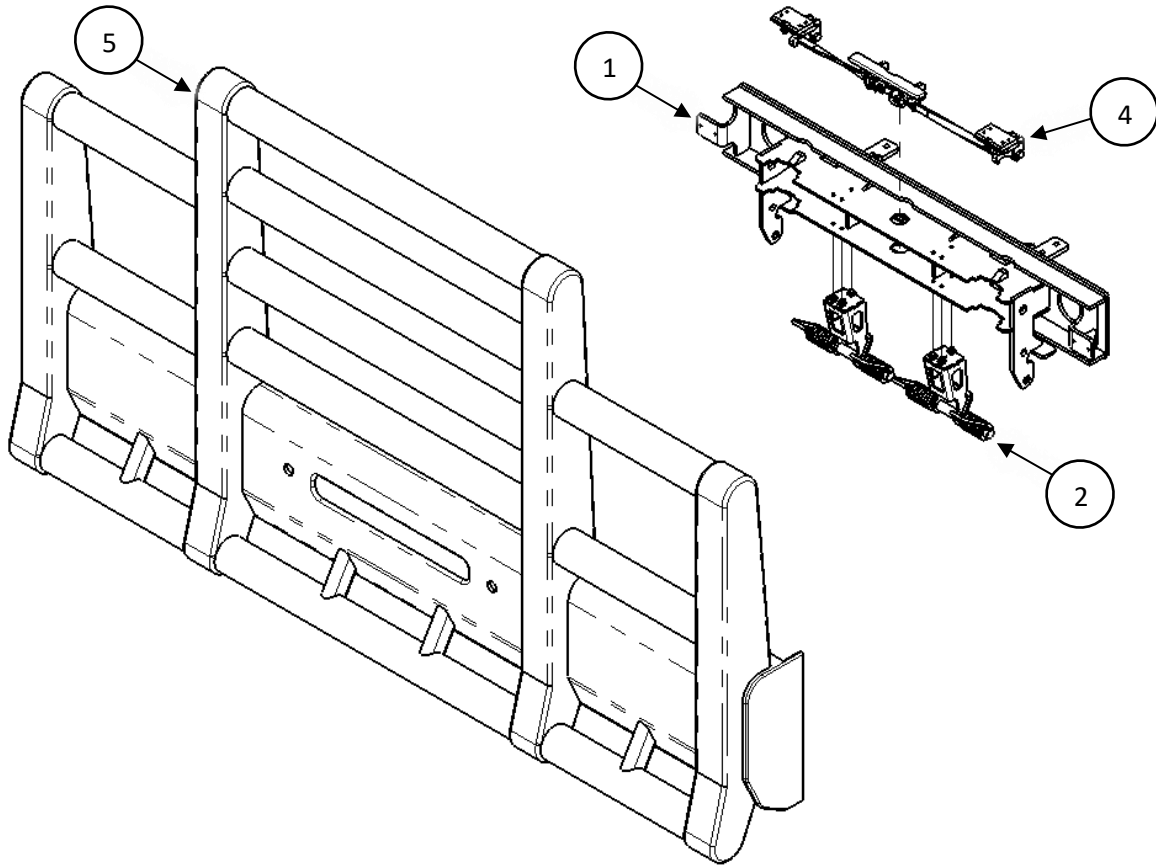


Figure 2 – Slam Latch Latching System

Table 2: Parts and Hardware Included

Item No	Part No	Description	Qty
1	BR-FL35-AT (Only with Aero, Road Train, Super Road Train, Texas, & Big Texas Versions) or BR- FL35-FLT (Only with Defender Version)	BRACKET, Freightliner Classic & FLD120 - SFA	1
2	1MPA027 (Only with Aero, Road Train, Super Road Train, Texas, & Big Texas Versions) or 1MPA024 (Only with Defender Version)	ASSY - LEGACY LIFT ASSIST	2
4	4-MC-SLA-A	ASSY- LEGACY SLAM LATCH	1
5	HERD TRUCK GUARD	TRUCK GUARD APPEARANCE MAY VARY BY SKU	1
*6	W-9SH	SHIM - U SHAPE, 0.128" THICK	8
*7	W-8SH	SHIM - U SHAPE, 0.064" THICK	8
*8	500167	NUT-NYLOCK 1/2-13 NC GR8 YZP	9
*9	500091	BOLT-HEX 1/2-13X4 NC GR8 YZP	6
*10	500089	BOLT-HEX 1/2-13X3 NC GR8 YZP	3
*11	500206	WASHER-FLAT 1/2 SAE GR8 YZP	18

Items marked with \* are not shown in Figure 2 above

## Installation Procedure

1. Remove the 6 OEM bolts on the front of the OEM bumper. Disconnect OEM driving lights if applicable.

Remove the OEM bumper. If the truck has a collision mitigation radar sensor, unplug and remove it.



**Figure 3 – OEM Bumper Removal Front View**

2. Remove tow hooks by removing three bolts as shown in Figure 4. Do this for both passenger and driver sides.



**Figure 4 – Tow Hook Removal (Driver Side Shown)**

## Installation Procedure

3. Remove the three bolts from front of truck cross member as shown in Figure 5.

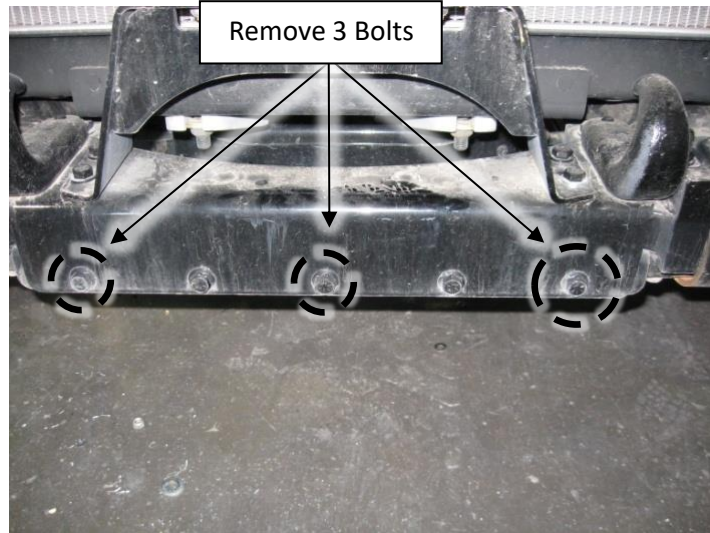


Figure 5 – Removal of Cross Member Bolts

4. Place supplied Herd  $\frac{1}{2}$ " x 2" bolts and  $\frac{1}{2}$ " washers (Part of Item 1) through holes in Herd loose brackets (Part of Item 1) so that the threaded rod ends face towards the front of the truck. They will later attach to the Herd Bracket (Item 1).

Next, install in place of tow hooks using supplied Fasteners. (Items 8, 9, 11)

Remove OEM brackets shown in Figure 6 before installing the Herd Bracket (Item 1).

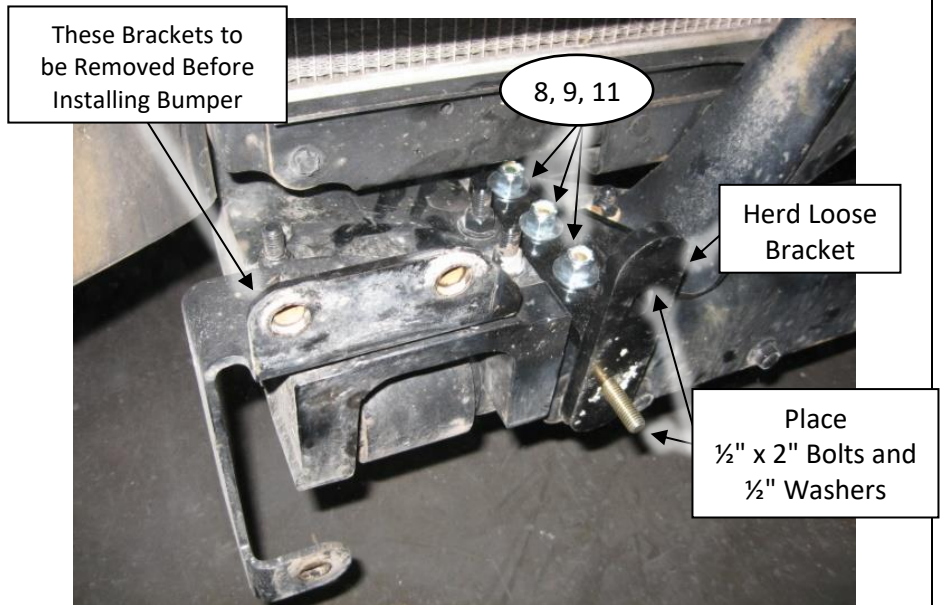


Figure 6 – HERD Loose Bracket Installation (Passenger Side Shown)

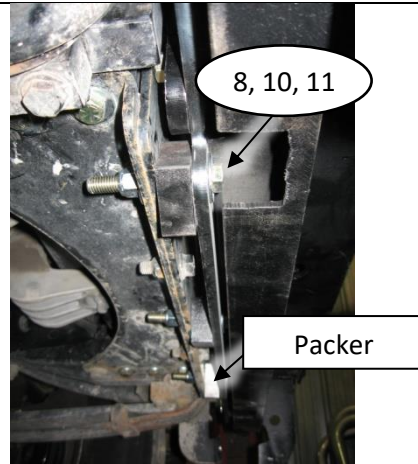


## Installation Procedure

5. Mount Herd bracket to truck, with packers (Part of Item 1) for spacing on the bottom bolts using supplied Herd fasteners (Items 8, 10, 11)

**Note:**

If installer has a crane available, truck guard can be attached onto truck with bracket, otherwise disassemble truck guard from bracket first. Keep hardware. If bumper is equipped with lift assist, the springs must be removed. Refer to instructions S004 (Defender bumpers) or S005 (Aero/Texas bumpers) for proper lift assist disassembly procedure.



**Figure 7 – HERD Bracket Installation**

6. Fasten the Herd Bracket (Item 1) to the Herd Loose Brackets (Part of Item 1) using the supplied ½" Nuts and Washers (Part of Item 1). Do this for both passenger and driver sides.

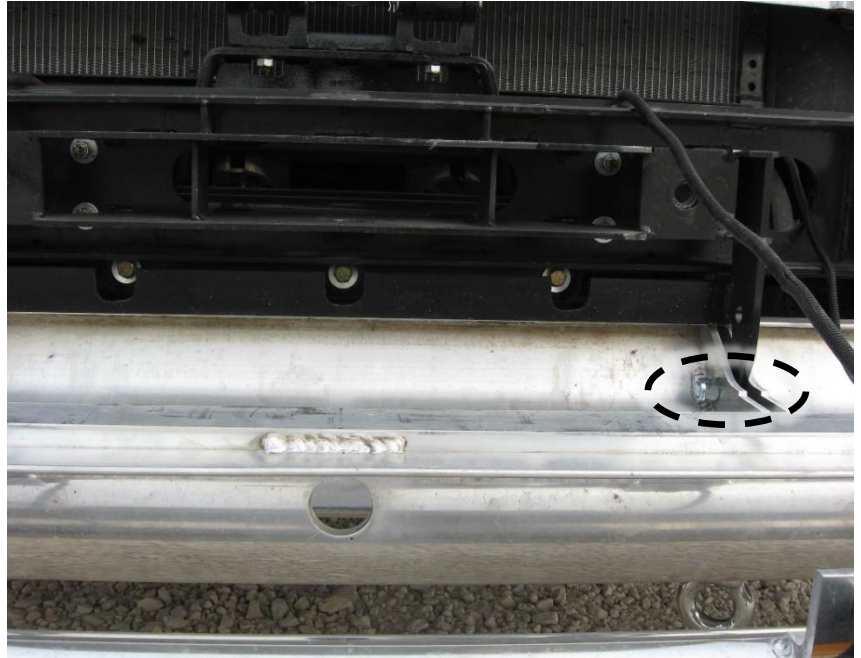
Next ensure all seven mounting points are used on the Herd Bracket (Item 1).



**Figure 8 – HERD Bracket Installation**

7. If the Herd Truck Guard was disassembled from bracket in step 5, reinstall Herd Truck Guard onto bracket using the hardware kept from step 5. Fasten both the driver and passenger sides.

**For DFLT & Defender models only: To install the hinge bolts, the bumper must be in the open (down) position to allow the bottom lip to go under and around the steel hinge.**



**Figure 9 – View of Bracket Hinge (Driver Side Shown)**

8. Close the truck guard and check fitment. Truck guard position can be adjusted side to side and up or down as required. Once fitment is confirmed, tighten all mounting bolts. Torque 1/2" hardware to 110 lb-ft.



**Figure 10 – Herd Truck Guard Installed**

### Important

- Check mounting points after the first 5000 km and every 3-6 months.
- If this truck guard is equipped with Legacy Herd Slam Latch, periodic adjustment is required. Refer to Legacy Slam Latch Installation adjustment instructions to properly adjust your Slam Latch.
- The drop-forged eyebolts are an integral part of the strength of Herd Truck Guards. When tightened firmly, they will minimize vibration and provide superior impact resistance.
- To help maintain the factory finish, avoid acid wash.