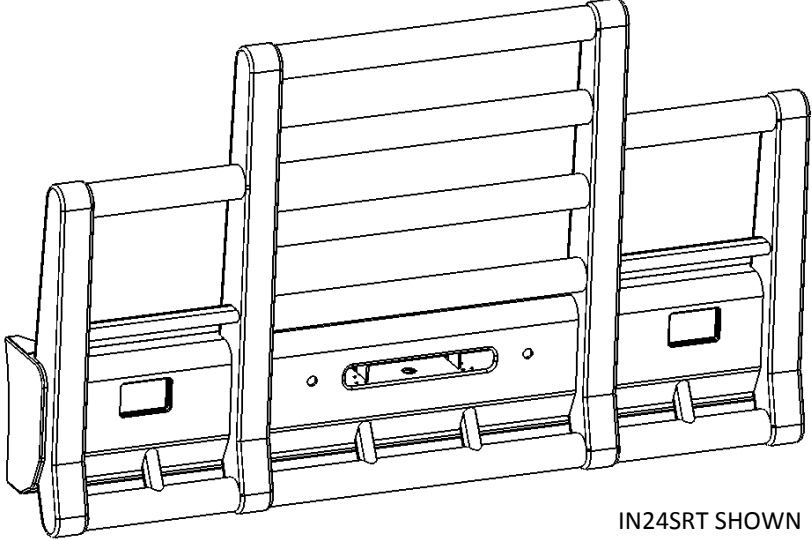


Thank you for choosing HERD!

For assistance call  
1-888-543-4373  
[www.HERD.com](http://www.HERD.com)

SKU #	Truck Model
IN24A2, IN25A2, IN24A4, IN25A4, IN24D2, IN25D2, IN24D4, IN25D4, IN24DFLT2, IN25DFLT2, IN24RT, IN25RT, IN24TX4, IN24BTX4, IN24SRT	International HX520 SFA, HX615/620 SBA



IN24SRT SHOWN

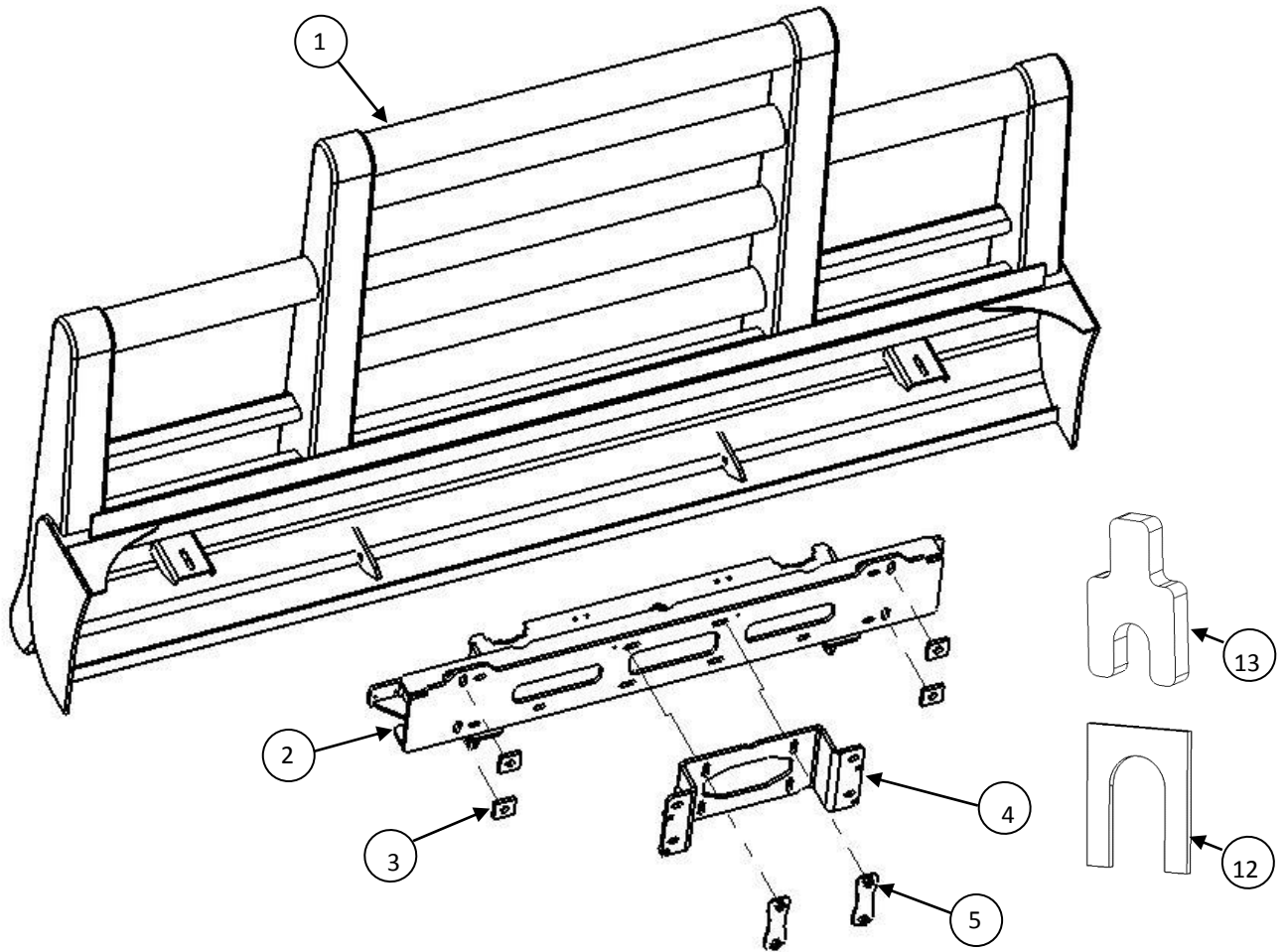
### Important

- Herd Bumpers are vehicle "Make & Model" specific. Use of a bumper on a vehicle other than the model it was designed for will constitute improper use of the product and may void warranty.
- Unless otherwise specified, Grade 8 or Class 10.9 hardware is to be used. For the purposes of these instructions, OE hardware means the truck's original factory hardware.
- For further detail of warranty coverage and warranty repair information visit [www.HERD.com](http://www.HERD.com).

### General Safety

- Take time to fully read the instructions before installing the Herd bumper.
- At all times exercise safe work shop practices, wear steel toe boots and safety glasses during installation.
- Parts and components of the Herd bumper can be heavy, handle with care to avoid injuries.
- Respect power tools and use them as advertised.

## Parts and tools referenced in this instruction



### Parts and hardware included (IN24 Bumper shown)

Item No	Part No	Description	Qty
1	IN24/IN25 BUMPER	Bumper, IN HX 520/615/620	1
2	BR-IN24/BR-IN25	Bracket, IN HX 520/615/620	1
3	1-BR-PAC-51X9.5	Packer, 51 mm x 51 mm, 3/8" thick	4
4	1MPA036	Center Mount, IN24	1
5	1MPA037	Nut Plate, IN24	2
6	HB0.625-11X3.25GR8	Hex Bolt - 5/8"-11x3.25" Grade 8	4
7	HB0.625-11X2FTGR8	Hex Bolt - 5/8"-11x2" Fully Thr. Grade 8	4
8	HB0.5-13X2GR8	Hex Bolt - 1/2"-13x2" Grade 8	4
9	NLN0.625-11GR8	Hex Nylon Lock nut - 5/8"-11 Grade 8	8
10	FW0.5GR8	Flat Washer - 1/2" Grade 8	4
11	FW0.625GR8	Flat Washer - 5/8" Grade 8	16
12	W-8SH	Shim, 1/16" thick	4
13	1MP060	Shim, 3/8" thick, 5/8" bolt (IN25 only)	4

### Tools Required

Tool	Specification
Socket	3/4" or 19 mm
Socket	15/16" or 24 mm
Socket	1 1/8" or 30 mm
Wrench	3/4" or 19 mm
Wrench	15/16" or 24 mm
Wrench	1 1/8" or 30 mm

## Installation Procedure

1. Unplug driving lights (if equipped). Remove front bumper bolts.

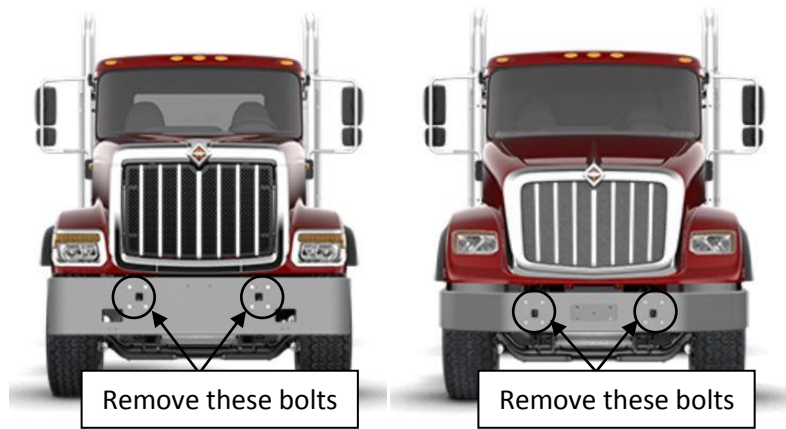


Figure 1

2. Disconnect torsion bar (IN25 set back axle only). Remove OEM bumper.

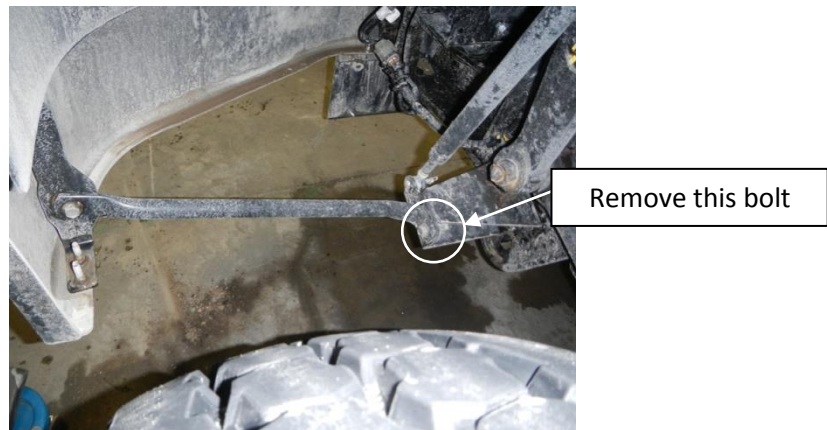


Figure 2

3. Install center mount (Item 4) onto cross member as shown in Figure 3.

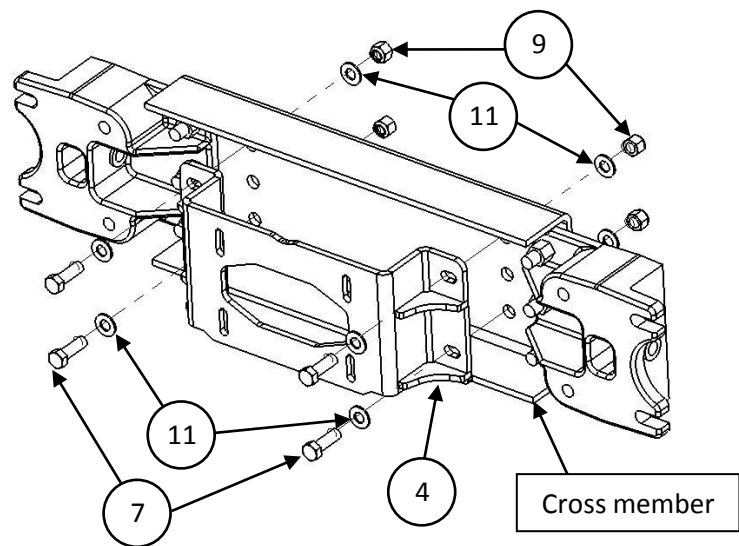


Figure 3 – Center mount installation.

## Installation Procedure

4. Open bumper. Using crane, lift the bumper (Item 1) and bracket (Item 2) and attach to Herd Center Mount (Figure 4a) and tow receiver casting (Figure 4b). Use supplied shims (Item 12 or 13) to close gap between the Center Mount (Item 4) and bracket (Item 2) if required.

**Note:**

If installer does not have a crane available, bumper can be disassembled from the bracket to simplify installation as shown in step 5, otherwise proceed to step 6.

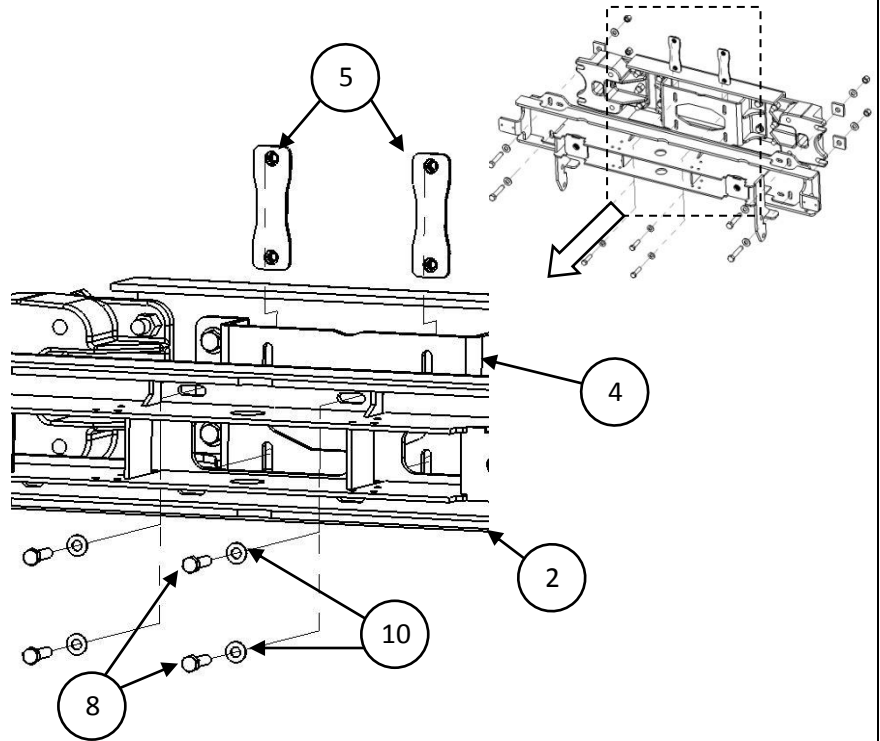


Figure 4a – Herd bracket attached to center mount.

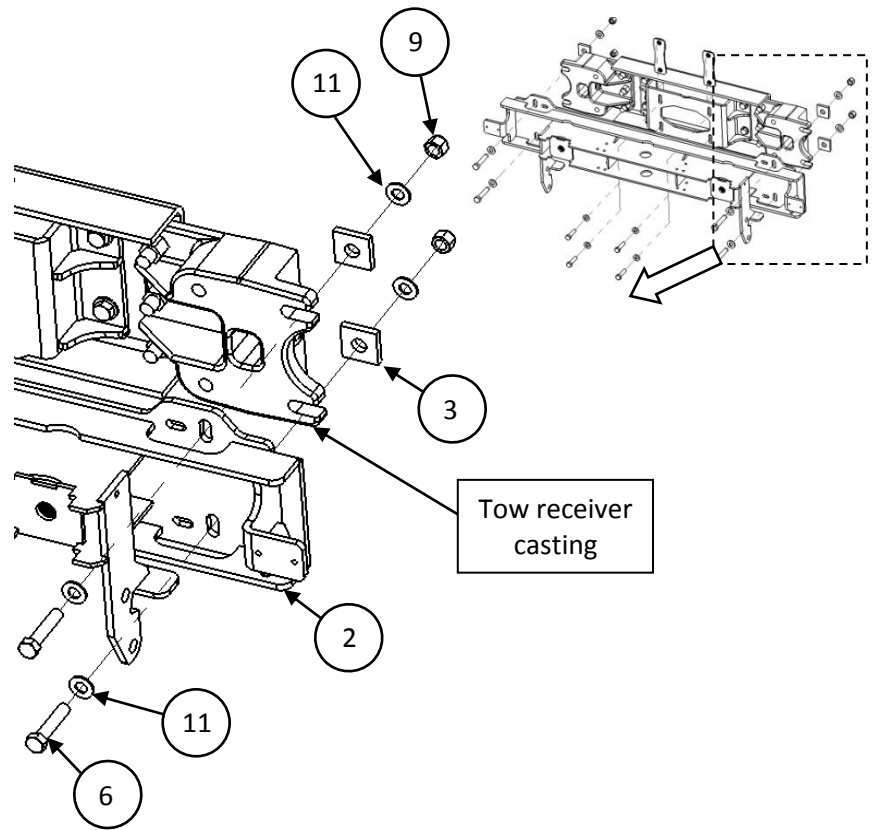


Figure 4b – Herd bracket attached to tow receiver casting.

## Installation Procedure

5. To disassemble bracket from the bumper remove both hinge bolts.

**Note:**

If bumper is equipped with lift assist the springs must be removed. Refer to instructions S004 (Defender bumpers) or S005 (Aero/Texas bumpers) for proper lift assist disassembly procedure.

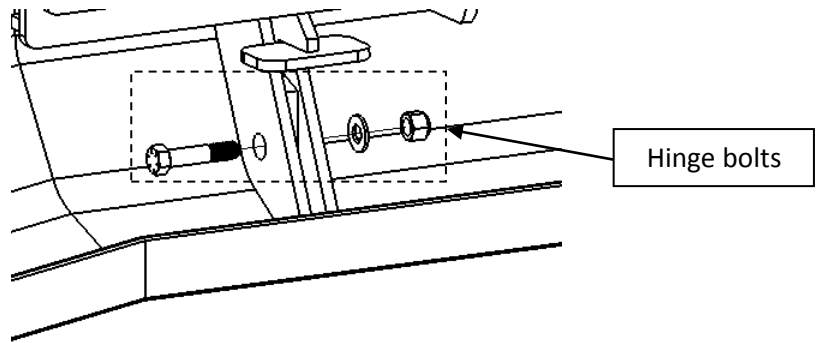


Figure 5 - Bumper disassembly (Aero bumper shown).

6. If equipped with OEM fog lights, remove driving lights from factory bumper and retain OEM hardware. Reinstall onto Herd bumper using the preinstalled driving light brackets on both driver and passenger side.

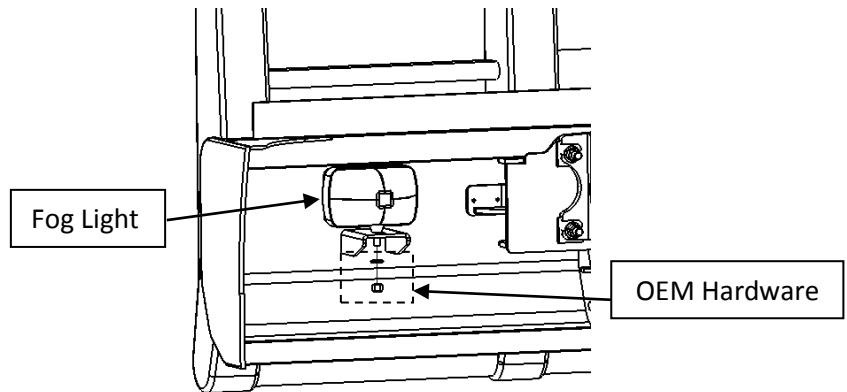


Figure 5 – OEM Fog Light installation.

7. Close the bumper and check the fitment. Bumper position can be adjusted side to side and up / down as required. Once fitment confirmed tighten all bolts.

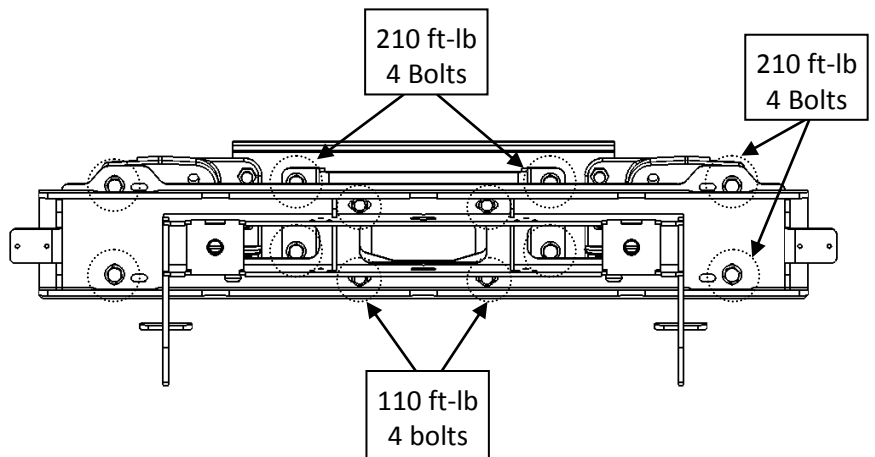


Figure 6 – Bolt torque specs (Driver side shown).

### Important

- Check mounting points after the first 5000 km and every 3-6 month.
- If bumper is equipped with Herd Slam Latch, periodic adjustment is required. Refer to Slam Latch Installation adjustment instructions to properly adjust your Slam Latch.