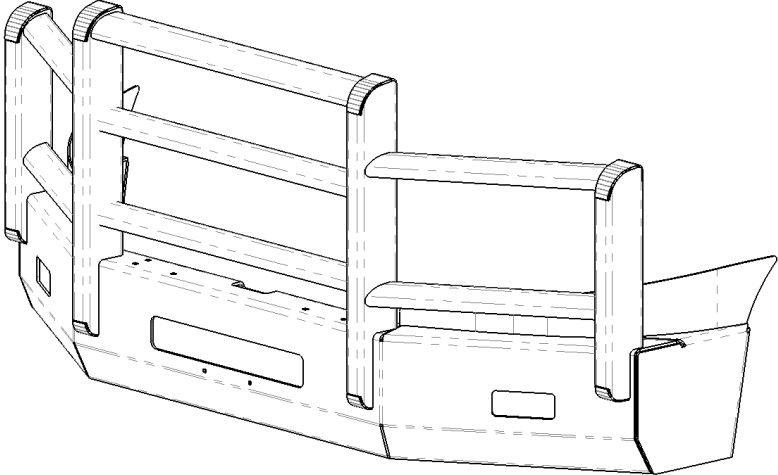


Thank you for choosing HERD!

For assistance call
1-888-543-4373
www.HERD.com

SKU #	Truck Model
IN27C4-02	International LT Prostar
	

Important

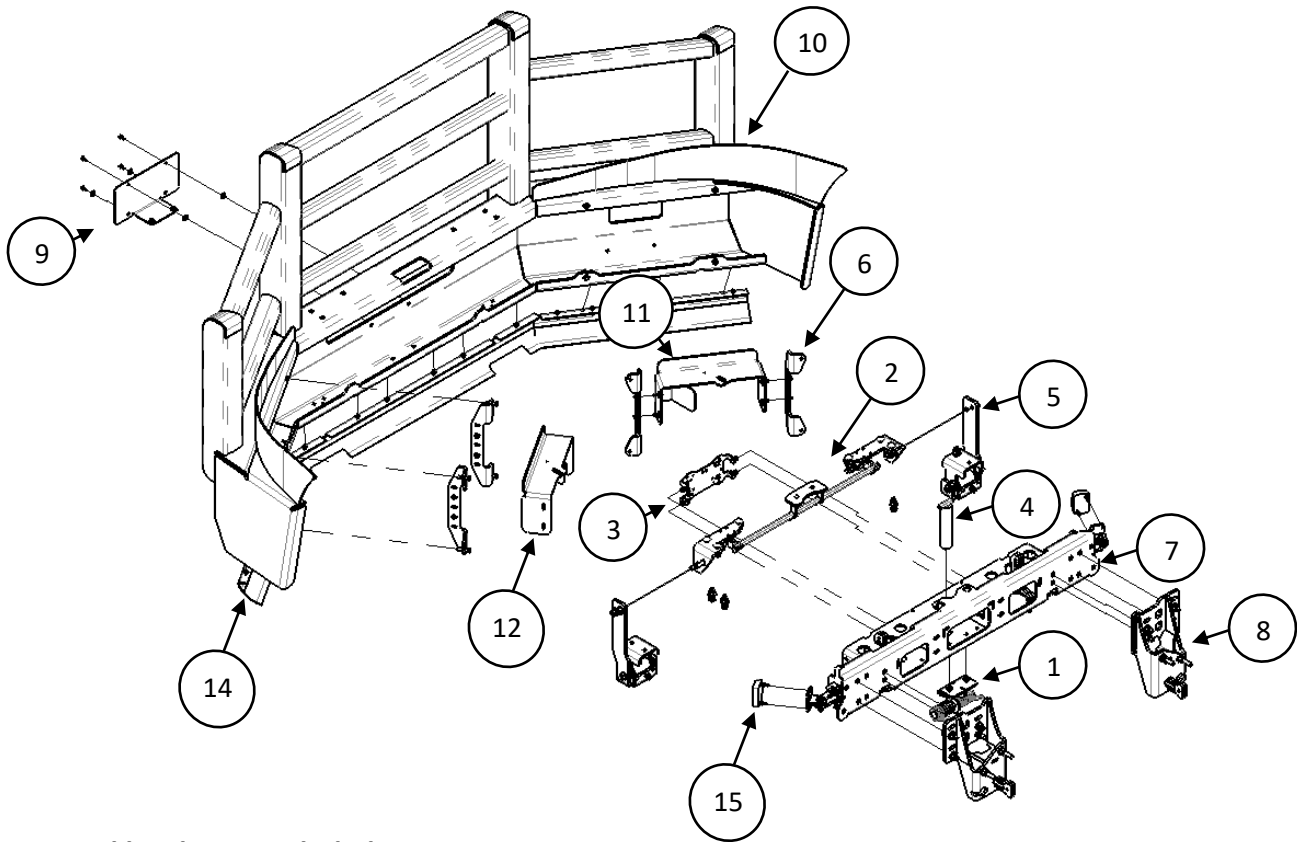
- Herd Bumpers are vehicle "Make & Model" specific. Use of a bumper on a vehicle other than the model it was designed for will constitute improper use of the product and may void warranty.
- Unless otherwise specified, Grade 8 or Class 10.9 hardware is to be used. For the purposes of these instructions, OE hardware means the truck's original factory hardware.
- For further detail of warranty coverage and warranty repair information visit www.HERD.com.

General Safety

- Take time to fully read the instructions before installing the Herd bumper.
- At all times exercise safe work shop practices, wear steel toe boots and safety glasses during installation.
- Parts and components of the Herd bumper can be heavy, handle with care to avoid injuries.
- Respect power tools and use them as advertised.

HERD North America Inc.
2168 Springfield Road
Sunnyside, MB. Canada R5R 0J3

Installation Procedure



Parts and hardware included

Item No	Part No	Description	Qty
1	100021	ASSY-LIFT ASSIST	1
2	100027	C4 SLAM LATCH ASSEMBLY	1
3	100046	KIT-CAS BRACKET	1
4	100049	PIN-TOW	1
5	100054	ASSY-HINGE	1
6	100058	KIT-CHANNEL STRUT	1
7	100062	ASSY-UNIVERSAL BRACKET	1
8	1N0033	KIT-MOUNTING IN27	1
9	2F0025	BRKT-LICENSE PLATE	1
10	2N0012	WLDMT-CHANNEL IN27	1
11	2N0022	KIT-OEM LIGHT BRACKET IN27 PS	1
12	2N0023	KIT-OEM LIGHT BRACKET IN27 DS	1
13	400013	AIR DEFLECTOR IN27C4-02	1
14	400014	KIT-RUMBER 20 MM	1
15	500086	BOLT-HEX 1/2-13X2 NC GR8 YZP	8
16	500088	BOLT-HEX 1/2-13X2-1/2 NC GR8 YZP	4
17	500167	NUT-NYLOCK 1/2-13 NC GR8 YZP	12
18	500206	WASHER-FLAT 1/2 SAE GR8 YZP	18
19	500263	WASHER-FLAT 1/2X1-1/2OD 1/4THICK	6
20	500173	NUT-NYLOCK 3/4-16 NF GR8 YZP	2
21	500211	WASHER-FLAT 3/4 SAE GR8 YZP	2
22	500095	BOLT-HEX 1/4-20X1 NC GR5 WZP	22
23	500169	NUT-NYLOCK 1/4-20 NC GR8 YZP	22
24	500208	WASHER-FLAT 1/4 SAE GR8 YZP	44
25	500238	NUT-NYLON NO 14 LICENSE PLATE	6
26	500250	SCREW-HEX SLOT FLANGE 14X1/2 18-8SS TYPE A	6
27	500077	BOLT-CARRIAGE 5/16-18X1 NC 18-8SS	2
28	500213	WASHER-FLAT 5/16 SAE GR8 YZP	2
29	500174	NYLON LOCK NUT 5/16-18 GR8 YZP	2

Installation Procedure

1. Open hood, Remove OEM bumper. Unplug driving lights (if equipped). Keep OEM hardware for later use.

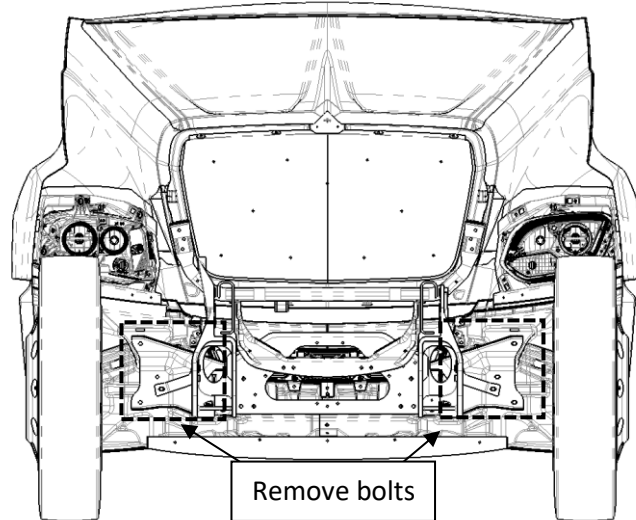


Figure 1 – OEM Bumper Removal. View from Inside Hood.
(Some Components Hidden for Visibility)

2. Disconnect and remove radar sensor (if equipped). Retain Radar Sensor OEM hardware for later use if applicable.

Note:

For a more comprehensive guide, refer to Herd Radar Sensor Installation Guide (S009).

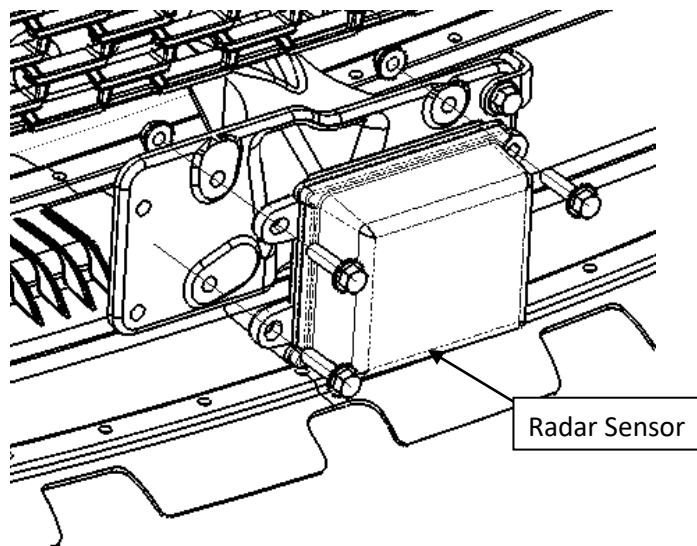


Figure 2 – Radar Sensor Removal.

Installation Procedure

3. Insert tow receiver inserts from the mounting kit (Item 8) into tow receivers of truck frame and rotate 90° to lock it in place.

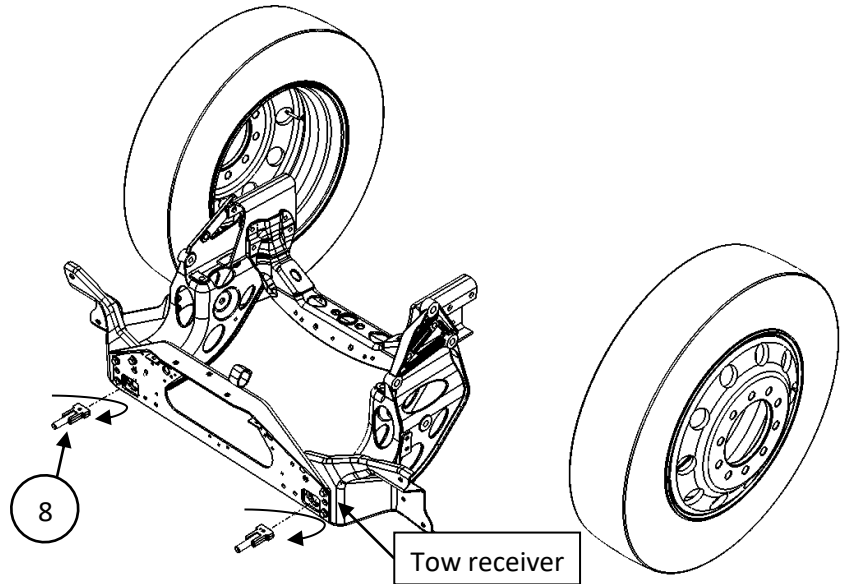


Figure 3 – Tow Receiver Mount Installation.

4. Remove OEM bolts as shown for both passenger and driver sides.

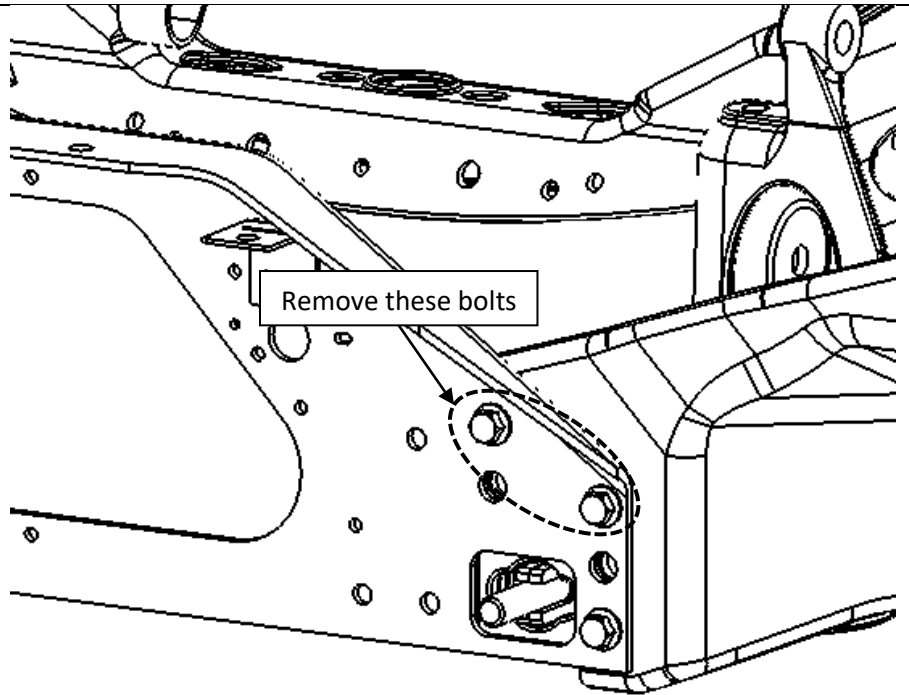


Figure 4 – OEM Bolt Removed (Driver Side Shown).

Installation Procedure

5. Install driver side mounting plate and passenger side mounting plate (Item 8) as shown in Figure 5. Fasten each plate with the provided hardware (Items 16, 18, 20, 21)

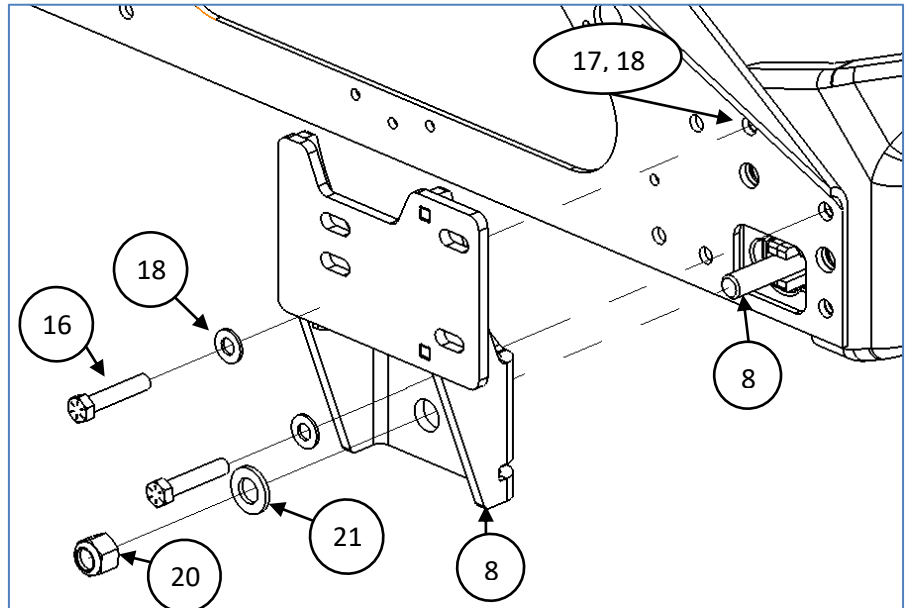
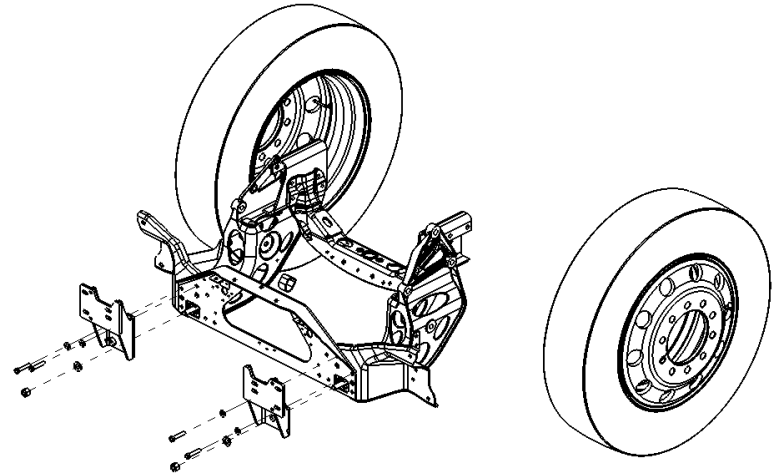


Figure 5 – Mounting Kit Installation (Driver side shown).

Installation Procedure

6. Open bumper by pulling on the handle. Using crane, lift the bumper (Item 10) and universal bracket (Item 7) and attach to driver side and passenger side mounting plates (Item 8).

Note:

If installer does not have a crane available, bumper can be disassembled from the universal bracket to simplify installation as shown in step 8, otherwise proceed to step 9.

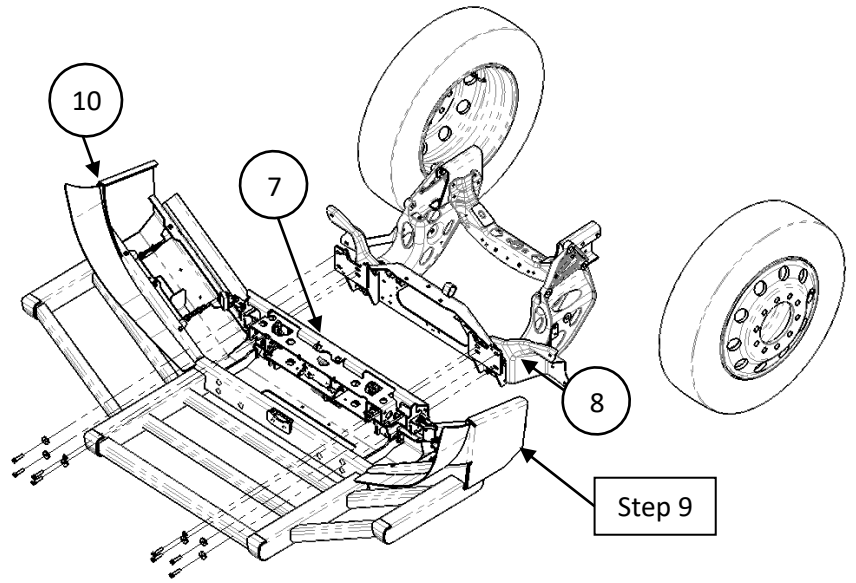


Figure 6 – Universal Bracket Installation.

Installation Procedure

7. a) Ensure bumper is closed. From underneath the bumper, remove the 3/8" hardware securing the lift assist springs and slide off springs from the lift assist (Item 1).

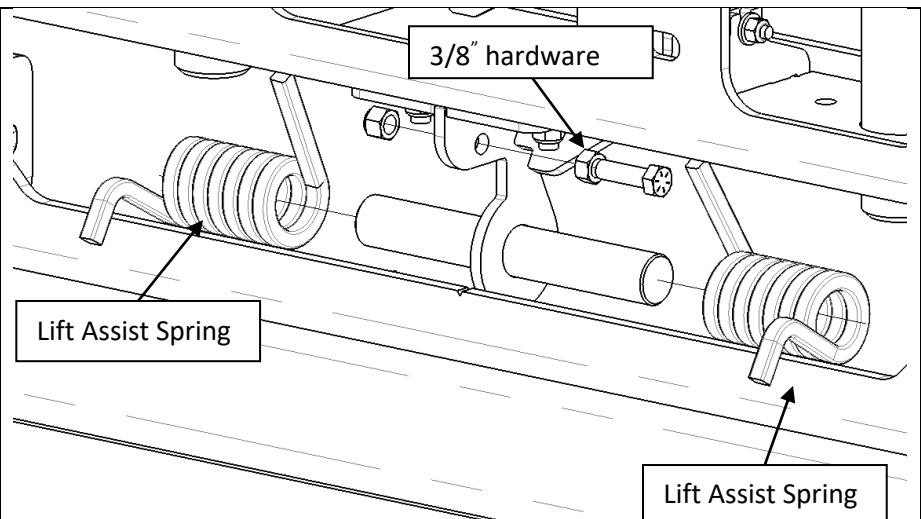


Figure 7a – Spring Assist Disassembly.

- b) Once the springs are removed, carefully open the bumper using the slam latch. Remove the 1/2" hardware securing the bumper to the universal bracket. Remove bumper and set aside on cardboard. Now the bracket is isolated for mounting without a lift.

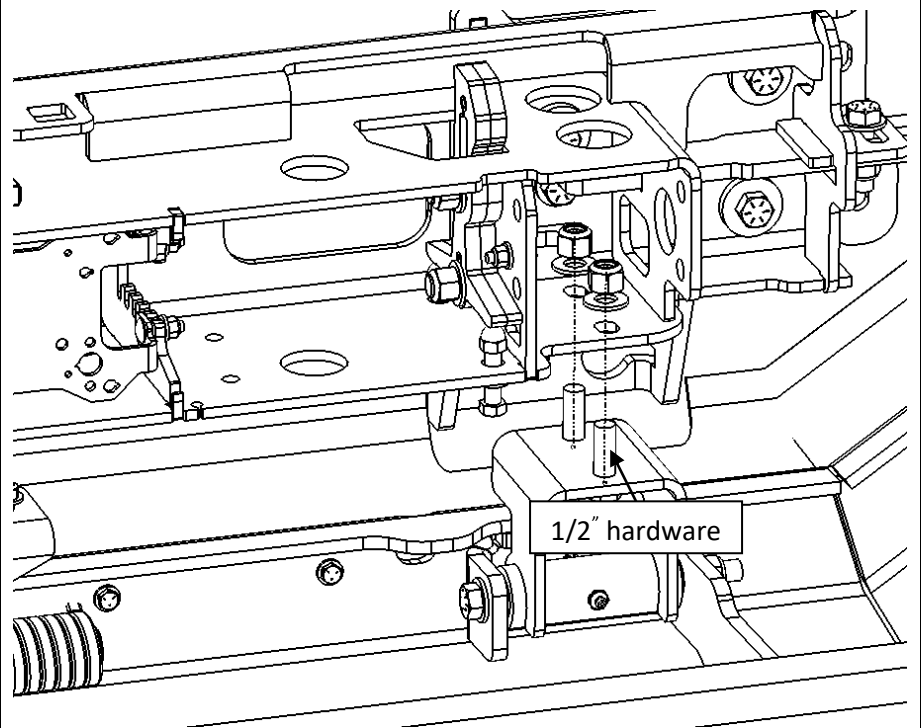


Figure 7b – Bracket and Bumper Disassembly (Driver's Side Shown).

Installation Procedure

- Attach universal bracket (Item 7) to driver side mounting plate (Item 8) and passenger side mounting plate (Item 8) as shown. Using the hardware provided (Items 15, 17, 18, 19).

Note: Only place oversized $\frac{1}{2}$ " washers (Item 19) on the forward facing side.

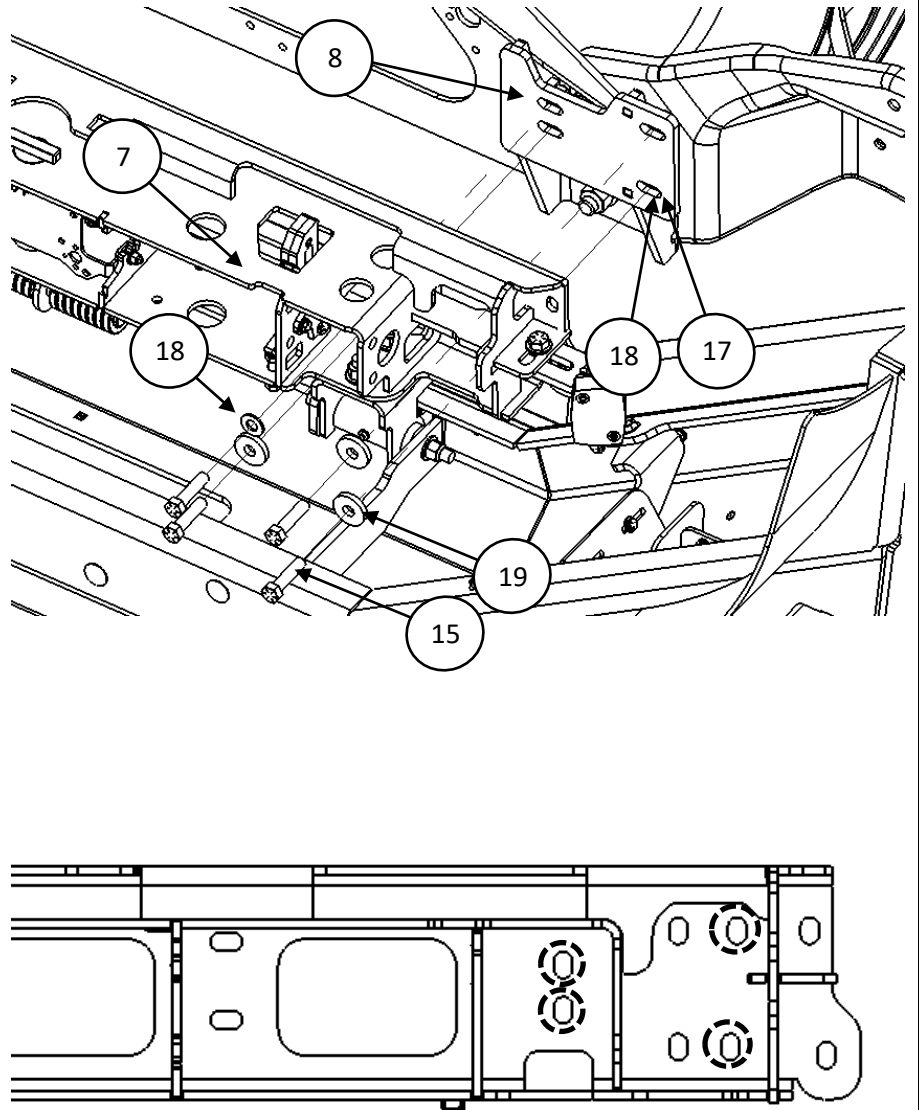


Figure 8 – Bracket Installation on International LT (driver side).

9. If bumper was disconnected from the universal bracket in step 6, reverse the procedure to mount bumper back onto the bracket.

a) First ensure the bumper hinges are open.

b) Attach using previously removed 1/2" bolts until the hinge just slightly touches the bracket.

c) Close the bumper and ensure the latch engages.

d) Open the bumper and tighten the bolts until they are snug.

c) Close the bumper again to ensure the latches engage properly.

d) Fully tighten the 1/2" hardware to 110 ft·lb. Latches may need to be adjusted, refer to Slam Latch Adjustment guide (S012).

e) Close the bumper and slide springs onto the lift assist shaft, ensuring that spring arms are inserted into slots of bumper. Reinsert 3/8" hardware securing the lift assist springs.

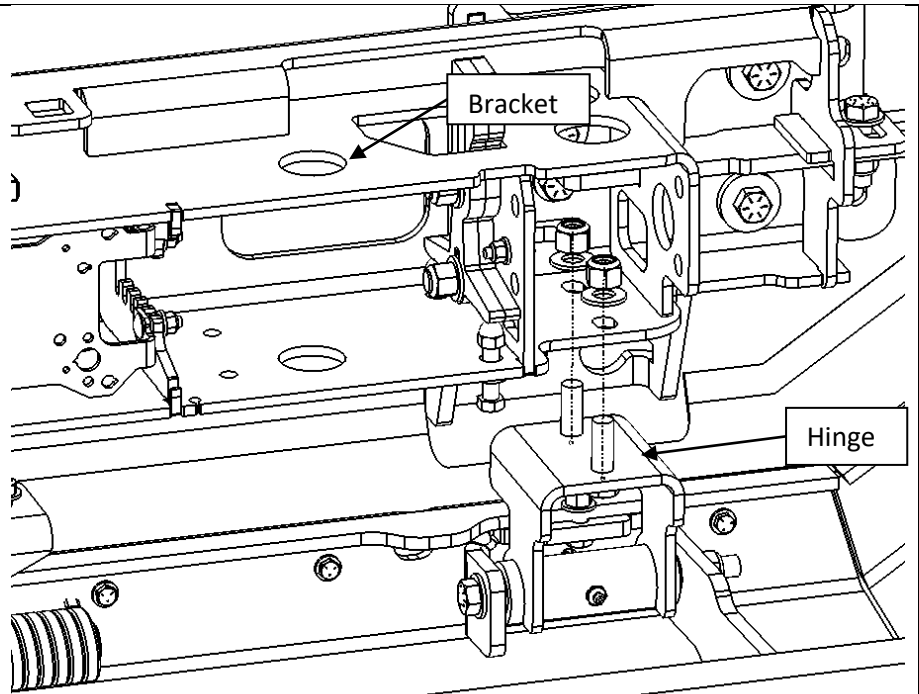


Figure 9.1 – Bracket and Hinge Reassembly

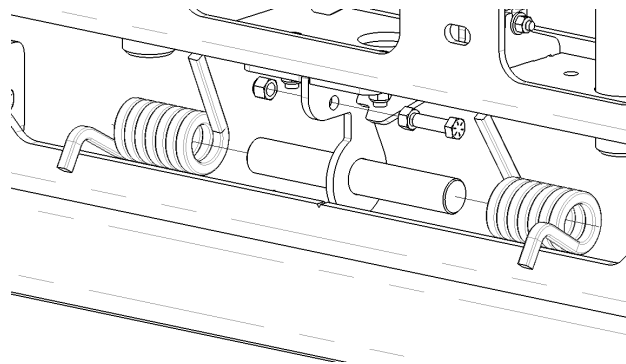


Figure 9.2 – Lift Assist Reassembly.

Installation Procedure

10. If equipped with OEM driving lights, remove driving lights from factory bumper. Keep OEM hardware if installing the old style light with the stud.

Remove driving light covers from HERD bumper if installed.

Mount OEM lights onto HERD bumper with HERD supplied hardware.

Figure 10.1 – Passenger Side OEM Light Installation (Old Style Light).

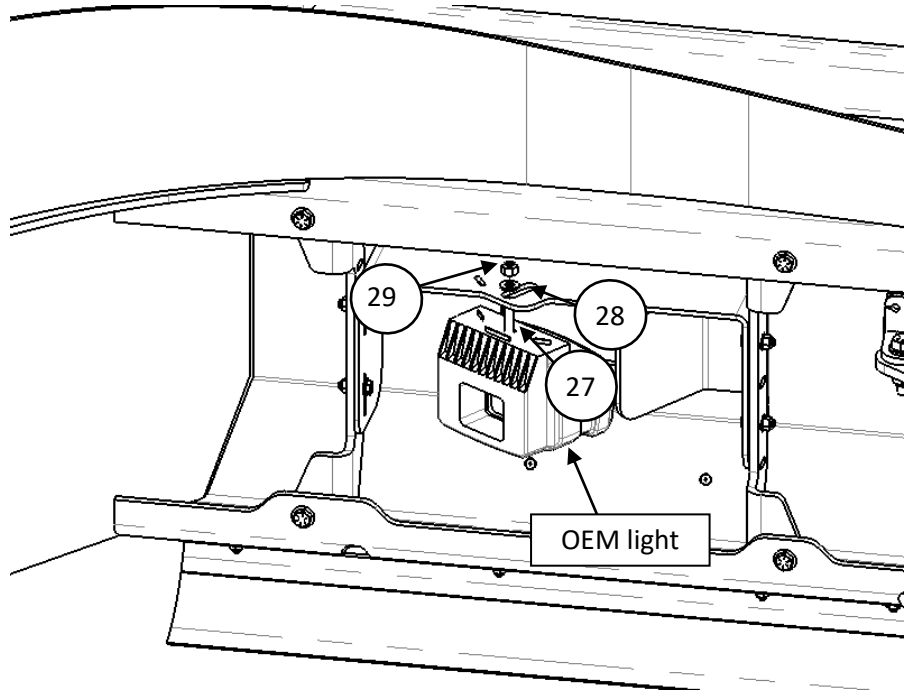


Figure 10.2 – Passenger Side OEM Light Installation (LT Lamp Shown).

11. Close the bumper and check fitment. Bumper position can be adjusted side to side and up or down as required. Once fitment is confirmed, tighten 8 mounting bolts from step 8 to 110 ft-lb. Reattach wiring to driving lights.

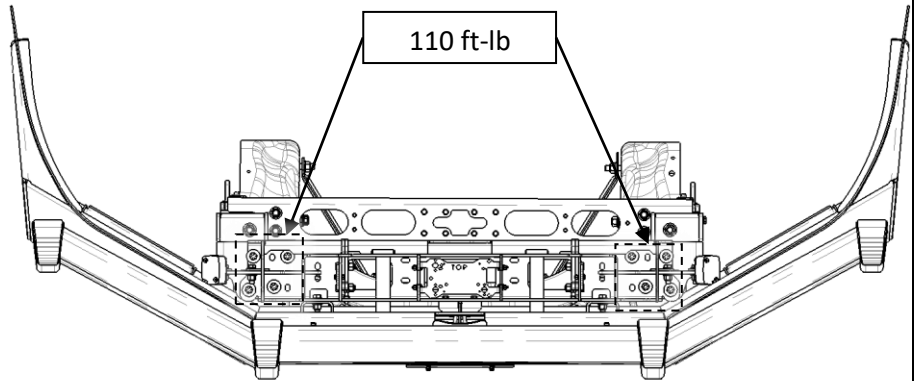


Figure 11 – Bolt Torque Specs.

Installation Procedure

12. Insert the nylon licence nuts (Item 26) into the square cut-outs in the bumper and licence plate bracket (Item 9). Bolt the bracket into place using the No. 14 licence bolts (Item 27). The front four bolts can be used to mount a licence plate as needed.

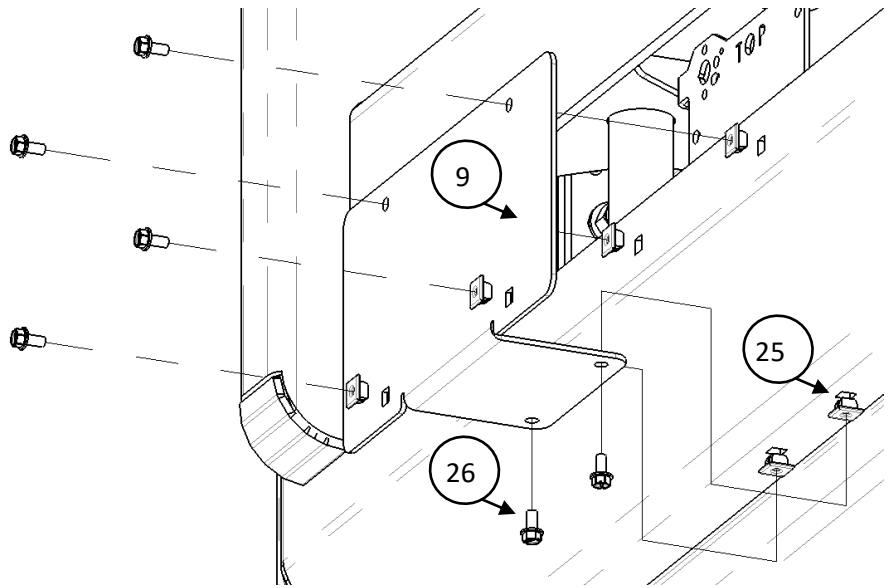


Figure 12 – License Plate Installation

13. Install the air deflector (Item 14) to the Bumper (Item 10) as shown using the supplied hardware (Items 23, 24, 25).

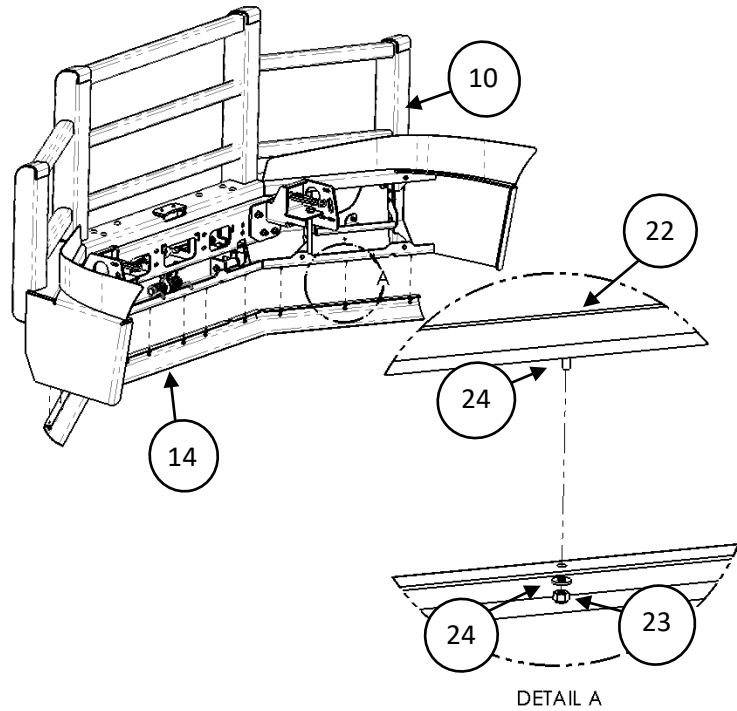


Figure 13 – Air Deflector Installation.

Installation Procedure

14. If the truck was equipped with radar sensor, install radar sensor onto Herd sensor bracket using the OEM hardware. Reattach wiring to the radar sensor unit.

Note:

To install sensor unit, refer to Herd Radar Sensor Installation Guide (S009).

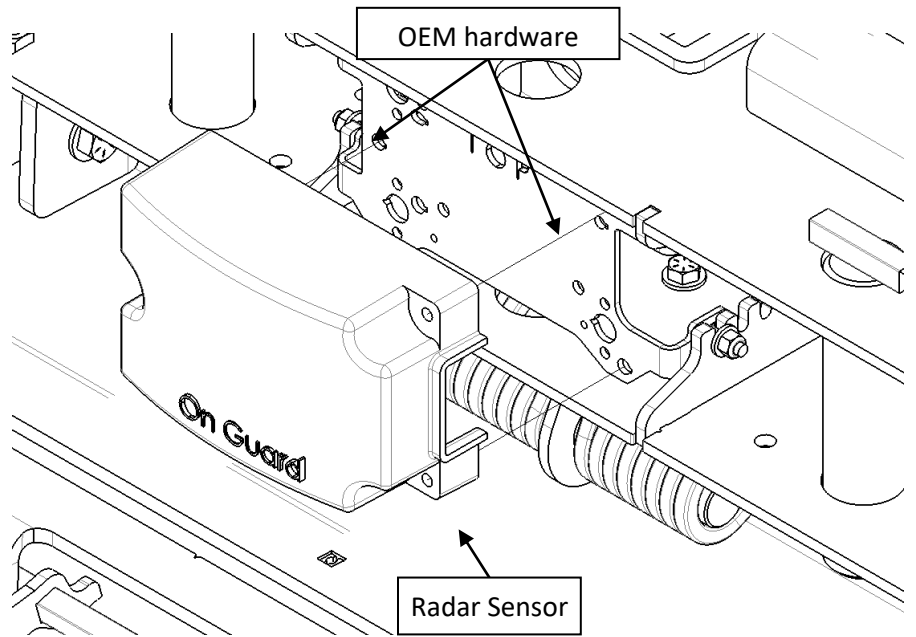


Figure 14 – Radar Sensor Unit Installation.

15. If installing surface-mount signal lamps, 4LMPA001, apply at max 85 in-lbs (7ft-lbs, 9.6Nm)

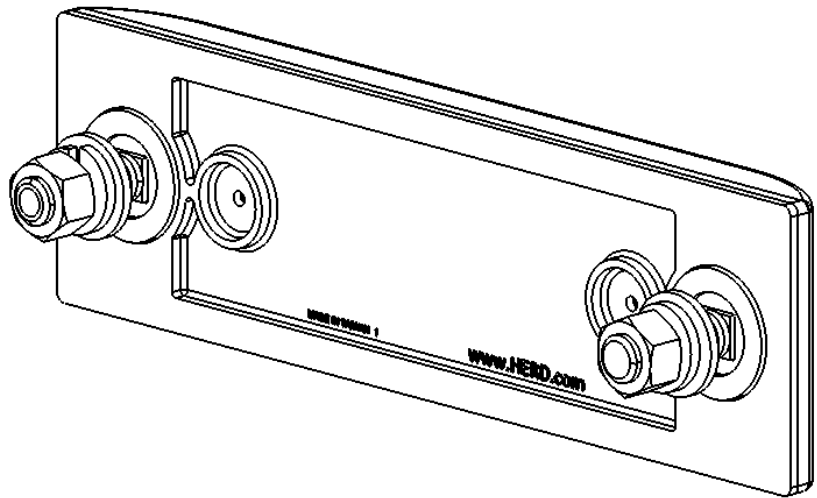


Figure 15 – Signal Light Installation.

Important

- Check mounting points after the first 5000 km and every 3-6 month.
- This bumper is equipped with Herd Slam Latch which requires periodic adjustment. Refer to Slam Latch Installation adjustment instructions (S011) to properly adjust your Slam Latch.