


<b>This Guide is for all Truck Guard Models, including (where applicable):</b>
Aero
Defender
Texas
Big Texas
Road Train
Super Road Train

Thank you for choosing HERD!

For assistance call  
1-888-543-4373  
[www.HERD.com](http://www.HERD.com)

Truck I.D.	Truck Models
KW03	Kenworth T800 Sloped Hood / 8-bolt Logger - SBA
	

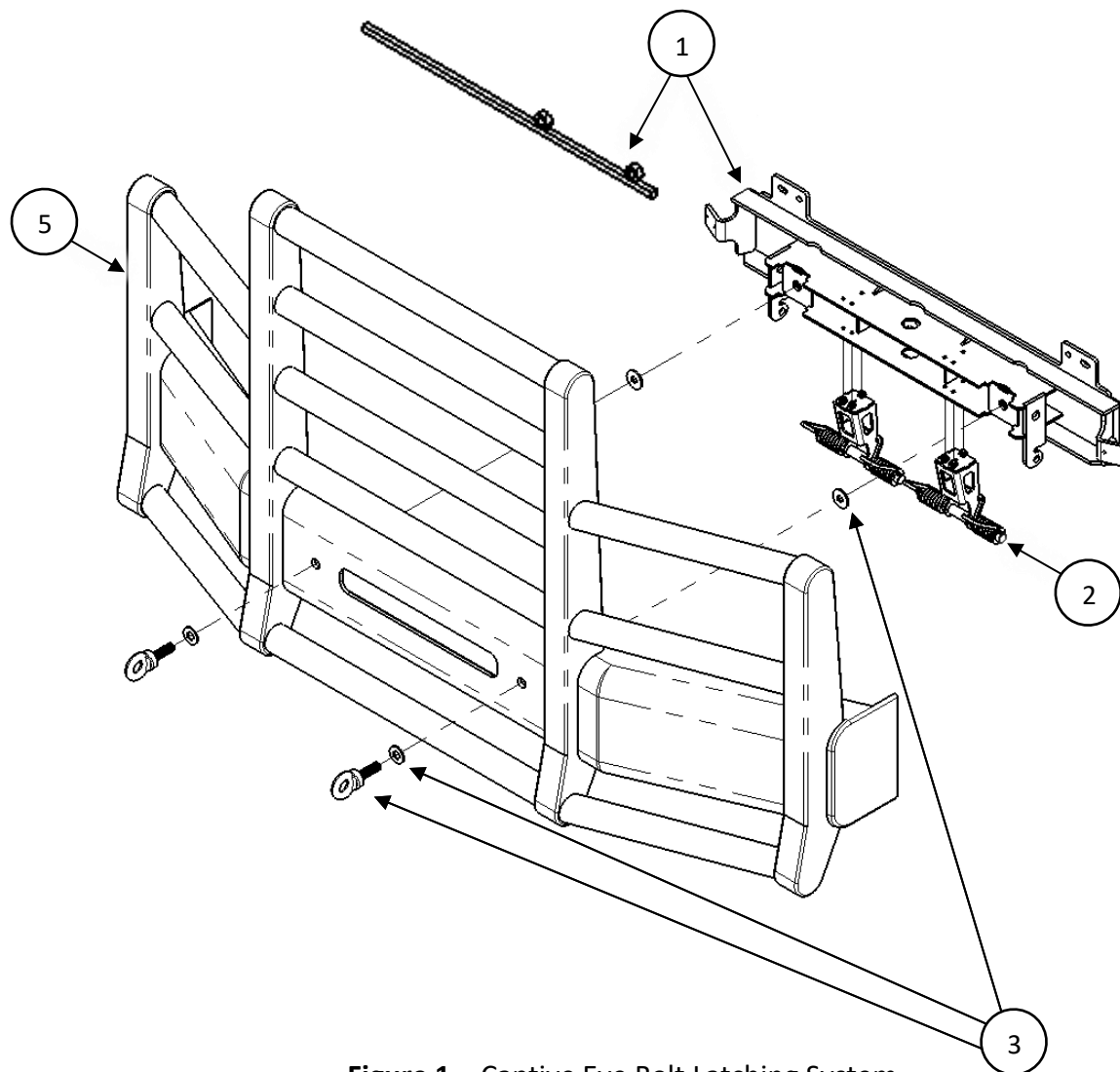
### Important

- Herd Truck Guards are vehicle "Make & Model" specific. Use of a Truck Guard on a vehicle other than the model it was designed for will constitute improper use of the product and may void warranty.
- Unless otherwise specified, Grade 8 or Class 10.9 hardware is to be used. For the purposes of these instructions, OEM hardware means the truck's original factory hardware.
- For further detail of warranty coverage and warranty repair information visit [www.HERD.com](http://www.HERD.com).

### General Safety

- Take time to fully read the instructions before installing the Herd Truck Guard.
- At all times exercise safe work shop practices, wear steel toe boots and safety glasses during installation.
- Parts and components of the Herd Truck Guard can be heavy, handle with care to avoid injuries.
- Respect power tools and use them as advertised.

**Reference this Parts List if your Truck Guard has a CEB (Captive Eye Bolt) Latching System**



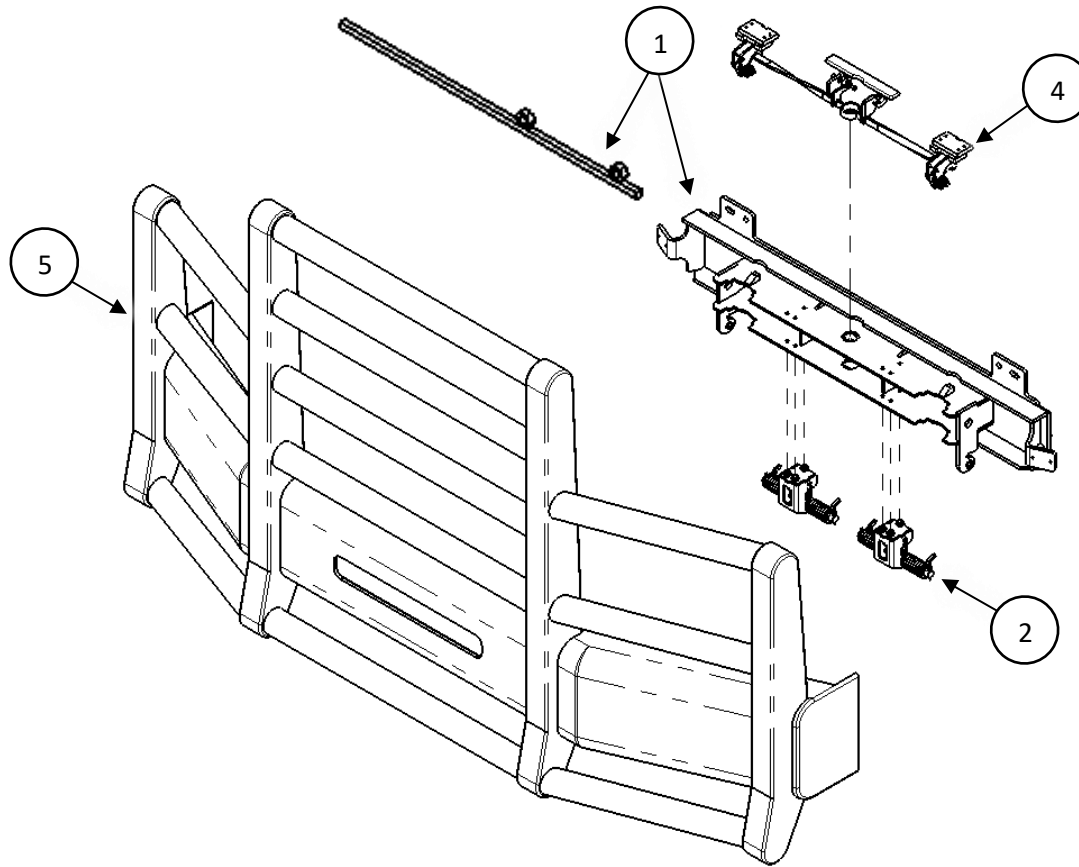
**Figure 1 – Captive Eye Bolt Latching System**

**Table 1: Parts and Hardware Included**

Item No	Part No	Description	Qty
1	BR-KW03-AT (Only with Aero, Road Train, Super Road Train, Texas, & Big Texas Versions) or BR-KW03-FLT (Only with Defender Version)	BRACKET, KENWORTH T800 SLOPED HOOD / 8-BOLT LOGGER - SBA	1
2	1MPA027 (Only with Aero, Road Train, Super Road Train, Texas, & Big Texas Versions) or 1MPA024 (Only with Defender Version)	ASSY - LEGACY LIFT ASSIST	2
3	7-EYEBOLT KIT	CAPTIVE EYEBOLT ASSEMBLY	2
5	HERD TRUCK GUARD	TRUCK GUARD APPEARANCE MAY VARY BY SKU	1
*6	1-BR-PAC-51X22	PACKER, 51MM X 51MM X 22MM THICK - 22MM HOLE	4
*7	500104	BOLT-HEX 3/4-10X3 NC GR8 YZP	6

Items marked with \* are not shown in Figure 1 above

**Reference this Parts List if your Truck Guard has a Slam Latch Latching System**



**Figure 2 – Slam Latch Latching System**

**Table 2: Parts and Hardware Included**

Item No	Part No	Description	Qty
1	BR-KW03-AT-SL (Only with Aero, Road Train, Super Road Train, Texas, & Big Texas Versions) or BR-KW03-FLT-SL (Only with Defender Version)	BRACKET, KENWORTH T800 SLOPED HOOD / 8-BOLT LOGGER - SBA	1
2	1MPA027 (Only with Aero, Road Train, Super Road Train, Texas, & Big Texas Versions) or 1MPA024 (Only with Defender Version)	ASSY - LEGACY LIFT ASSIST	2
4	4-MC-SLA-A	ASSY- LEGACY SLAM LATCH	1
5	HERD TRUCK GUARD	TRUCK GUARD APPEARANCE MAY VARY BY SKU	1
*6	1-BR-PAC-51X22	PACKER, 51MM X 51MM X 22MM THICK - 22MM HOLE	4
*7	500104	BOLT-HEX 3/4-10X3 NC GR8 YZP	6

Items marked with \* are not shown in Figure 2 above

## Installation Procedure

1. Remove the 6 OEM bolts on the front of the OEM bumper as shown in Figure 3. Retain factory hardware for use with mounting bracket in step 4 (a). Disconnect OEM driving lights if applicable.

Remove the OEM bumper. If factory center tow pin is an option on the truck, remove it as well. If the truck has a collision mitigation radar sensor, unplug, and remove it.

**Note:** Some trucks have an 8-bolt mounting pattern on the front bumper. In this case remove all 8 OEM spacers and bolts and retain them to be used later in step 4 (b). The lower mounts shown in step 3 and the loose mount (1-MP-KW03.BP) in step 5 are not required. Proceed to step 4 (b).

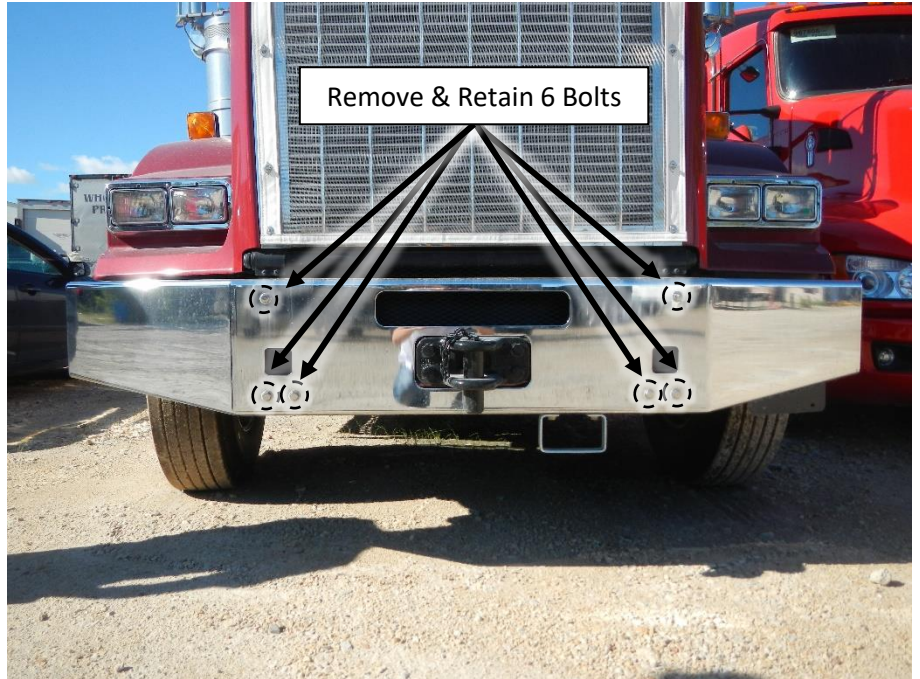


Figure 3 – OEM Bumper Removal Front View (6 bolt mounting pattern)

2. **For 6-bolt mounting pattern truck:** Remove the lower angle brackets located under front crossmember (Figure 4).

Keep OEM truck fasteners for use in mounting the HERD brackets to the truck, see step 3.

**For 8-bolt pattern truck:** This step is not applicable for 8-bolt mounting pattern truck.



Figure 4 – OEM Lower Angle Bracket Removal

3. **For 6-bolt mounting pattern truck:** Mount the HERD lower angle bracket (Part of Item 1) onto the bottom of the truck crossmember as shown in the Figure 5. Use the OEM hardware retained from step 2 to attach both brackets.

**For 8-bolt mounting pattern truck:** This step is not applicable for 8-bolt mounting pattern truck.

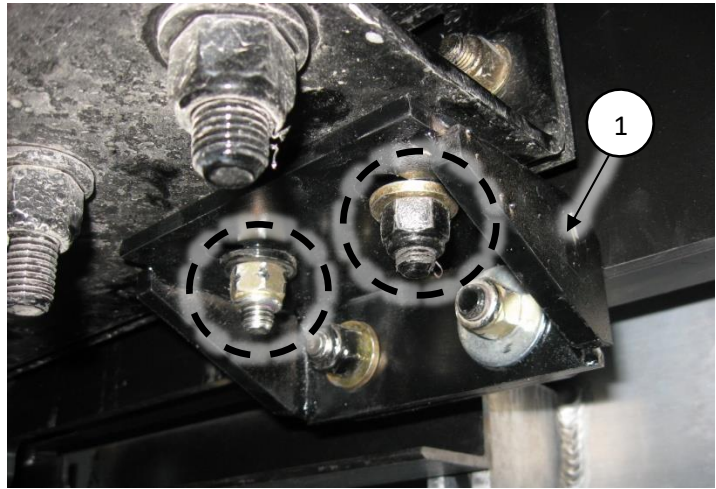


Figure 5 – HERD Lower Angle Bracket Installation (Passenger Side Shown)

4. **For 6-bolt mounting pattern truck:** Install Herd steel bracket (Item 1) to truck using OEM hardware retained from step 1. Do not tighten at this point of installation, as shown in Figure 6.

Reuse Factory Hardware  
That was Used to Mount  
Factory Bumper

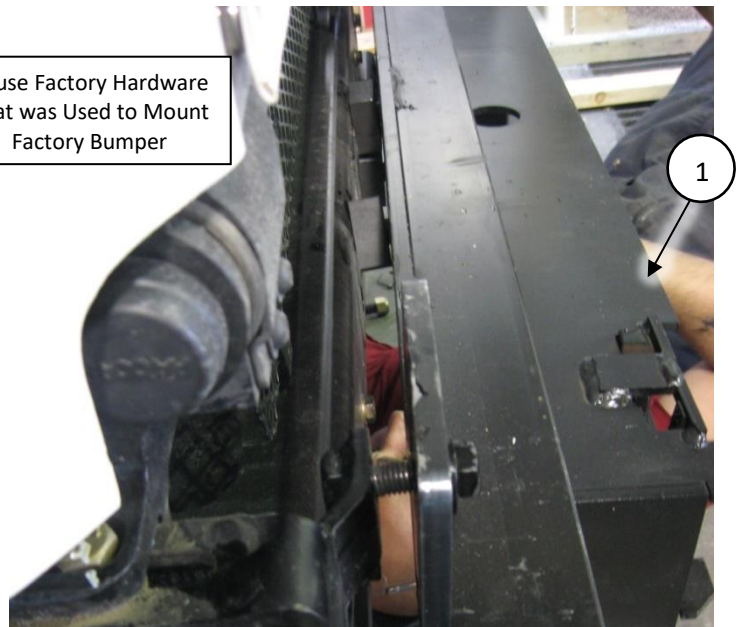


Figure 6 – HERD Bracket Installation (6 bolt mounting pattern)

**For 8-bolt mounting pattern truck:** Use the 8 mounting points as shown in Figure 7 (a) to attach the HERD steel bracket using extra retained hardware as shown in Figure 7 (b) and proceed to step 7.

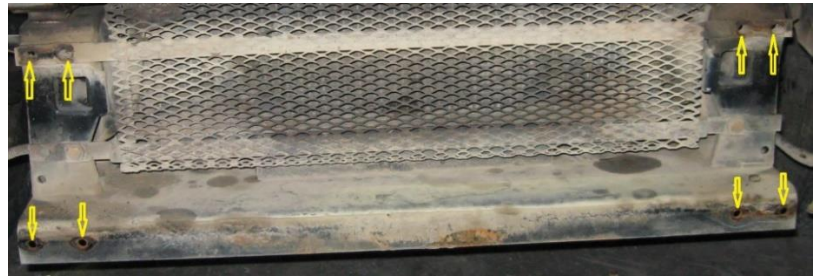


Figure 7 (a) – 8 Bolt mounting pattern on the Frame (Front View)

**Note:**

If installer has a crane available, truck guard can be attached onto truck with bracket, otherwise disassemble truck guard from bracket first. Keep hardware. If bumper is equipped with lift assist, the springs must be removed. Refer to instructions S004 (Defender bumpers) or S005 (Aero/Texas bumpers) for proper lift assist disassembly procedure.

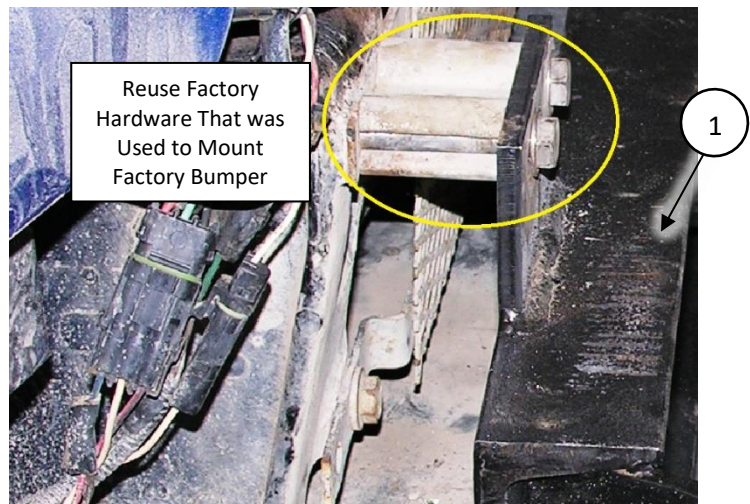


Figure 7 (b) – HERD Bracket Installation (8 bolt mounting pattern)

5. **For 6-bolt mounting pattern truck:** Place loose mount (Part of Item 1) inside the crossmember from passenger side as shown in Figure 9. Orient the part so that the nuts are at the top and that a bolt from the front of the truck goes through the plate before threading into the nut. Locate the part horizontally and to hold it in place for mounting.



Figure 8 – Loose mount (1-MP-KW03.BP)

**For 8-bolt mounting pattern truck:** This step is not applicable for 8-bolt mounting pattern truck.



Figure 9 – Loose mount Installation

## Installation Procedure

6. **For 6-bolt mounting pattern truck:** Place packers (Item 6) in between Herd steel bracket and crossmember where holes were drilled, and mount with supplied 3/4"-10 x 3" bolts (Item 7) from the bracket side, through both the packers and crossmember, and into the loose mount.

**For 8-bolt mounting pattern truck:** This step is not applicable for 8-bolt mounting pattern truck.

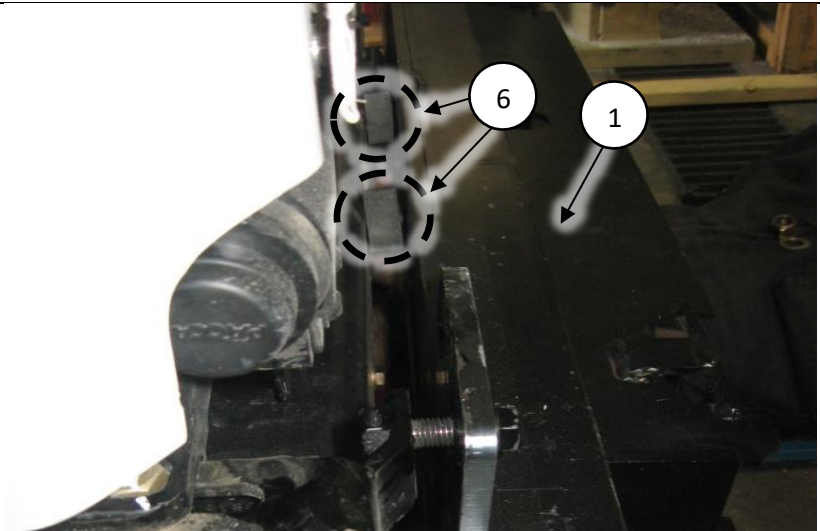


Figure 10 – HERD Bracket Installation

7. If the Herd Truck Guard was disassembled from bracket in step 4, reinstall Herd Truck Guard onto bracket using the hardware kept from step 4.

**For DFLT & Defender models only:** To install the hinge bolts, the bumper must be in the open (down) position to allow the bottom lip to go under and around the steel hinge.

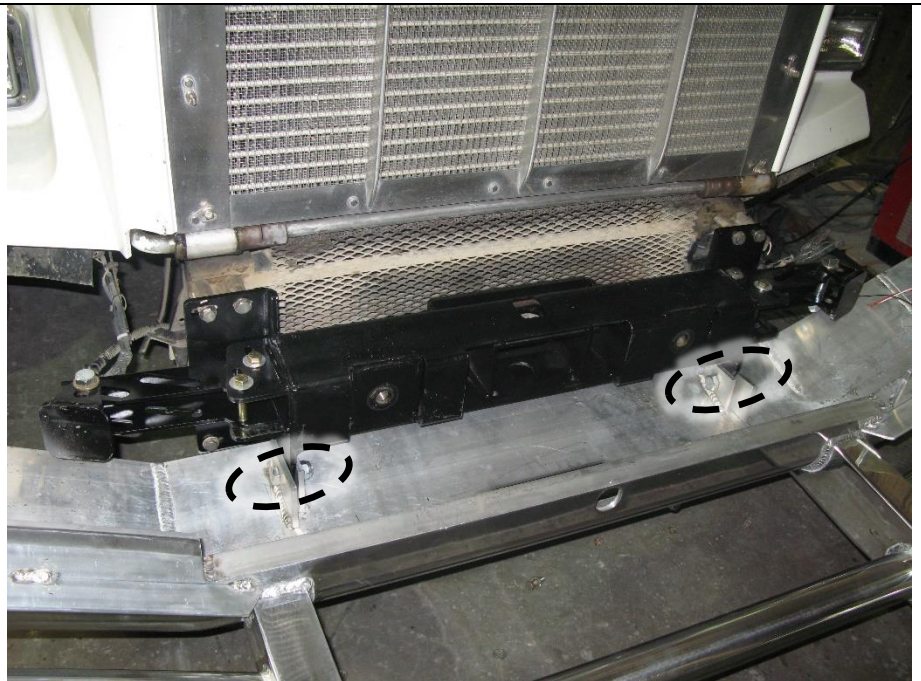


Figure 11 – View of Bracket Hinge

## Installation Procedure

8. Close the truck guard and check fitment. Truck guard position can be adjusted side to side and up or down as required. Once fitment is confirmed, tighten all mounting bolts. Torque 3/4" hardware to 150lb-ft. Torque 1/2" and 5/8" hardware to 110lb-ft.



**Figure 12** – Herd Truck Guard Installed

### Important

- Check mounting points after the first 5000 km and every 3-6 months.
- If this truck guard is equipped with Legacy Herd Slam Latch, periodic adjustment is required. Refer to Legacy Slam Latch Installation adjustment instructions to properly adjust your Slam Latch.
- The drop-forged eyebolts are an integral part of the strength of Herd Truck Guards. When tightened firmly, they will minimize vibration and provide superior impact resistance.
- To help maintain the factory finish, avoid acid wash.