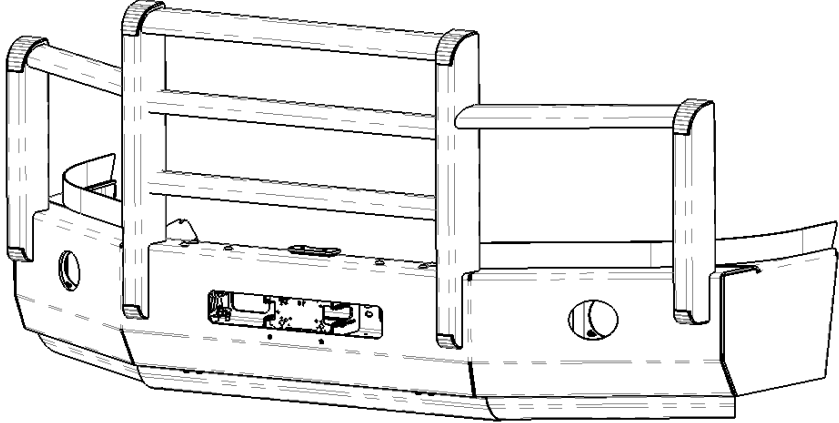


SKU #	Truck Model
MK15C4-02	Mack Anthem



Thank you for choosing HERD!

For assistance call
1-888-543-4373
www.HERD.com

Important

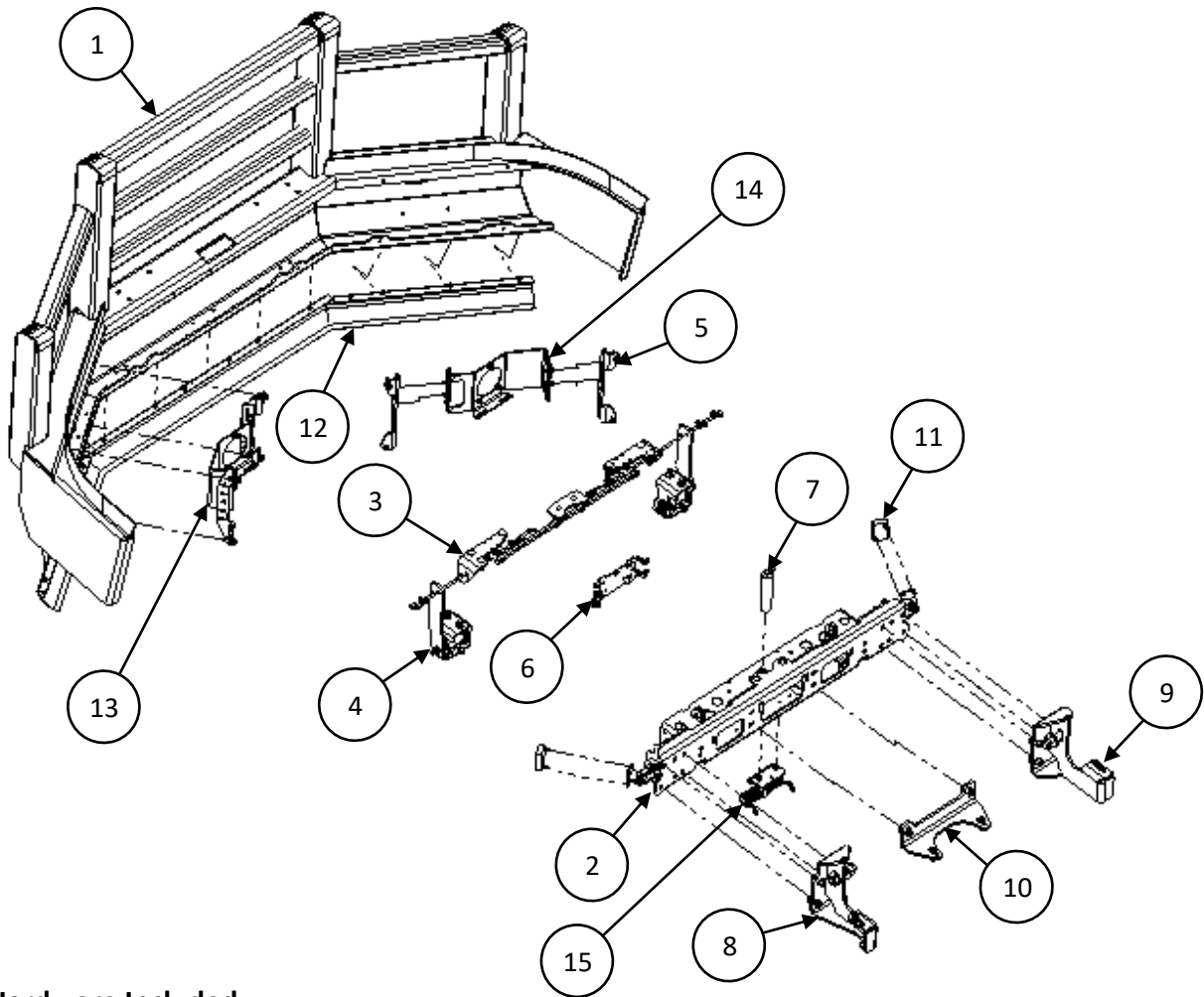
- Herd Bumpers are vehicle "Make & Model" specific. Use of a bumper on a vehicle other than the model it was designed for will constitute improper use of the product and may void warranty.
- Unless otherwise specified, Grade 8 or Class 10.9 hardware is to be used. For the purposes of these instructions, OEM hardware means the truck's original factory hardware.
- For further detail of warranty coverage and warranty repair information visit www.HERD.com.

General Safety

- Take time to fully read the instructions before installing the Herd bumper.
- At all times exercise safe work shop practices, wear steel toe boots and safety glasses during installation.
- Parts and components of the Herd bumper can be heavy, handle with care to avoid injuries.
- Respect power tools and use them as advertised.

HERD North America Inc.
2168 Springfield Road
Box 28, Group 525, RR5
Winnipeg, MB. Canada R2C 2Z2

Parts Referenced in this Installation Guide



Parts and Hardware Included

Item No	Part No	Description	Qty
1	2M0005	WLDMT-BUMPER MK15C4-02	1
2	100062	ASSY-UNIVERSAL BRACKET	1
3	100027	C4 SLAM LATCH ASSEMBLY	1
4	100054	ASSY-HINGE	1
5	100058	KIT-CHANNEL STRUT	4
6	100046	KIT-CAS BRACKET	1
7	100049	WLDMT-TOW PIN	1
8	1M0005	WLDMT-MOUNT DS MK15	1
9	1M0006	WLDMT-MOUNT PS MK15	1
10	1M0007	BRKT-MOUNT CTR MK15	1
11	400014	KIT-RUMBER 20 MM	2
12	400043	KIT-AIR DEFLECTOR MK15	1
13	2M0017	KIT-LIGHT MK15 DS	1
14	2M0019	KIT-LIGHT MK15 PS	1
15	100021	ASSY-LIFT ASSIST	1
16	500095	BOLT-HEX 1/4-20X1 NC GR5 WZP	28
17	500208	WASHER-FLAT 1/4 SAE GR8 YZP	56
18	500169	NUT-NYLOCK 1/4-20 NC GR8 YZP	28
19	500085	BOLT-HEX 1/2-13X1-3/4 NC GR8 YZP	10
20	500206	WASHER-FLAT 1/2 SAE GR8 YZP	10
21	500167	NUT-NYLOCK 1/2-13 NC GR8 YZP	10
22	500263	WASHER-FLAT 1/2X1-1/2OD 1/4THICK	12
23	500099	BOLT-HEX 1-8X3-1/2 NC GR8 YZP	2
24	500179	NUT-NYLOCK 1-8 NC GR8 YZP	2
25	500210	WASHER-FLAT 1 SAE GR8 YZP	2
26	500310	BOLT-HEX 7/16-14X1-3/4 NC GR8 YZP	4
27	500312	NUT-NYLOCK 7/16-14 NC GR8 YZP	4
28	500311	WASHER-FLAT 7/16 SAE GR8 YZP	8

Installation Procedure

1. Remove factory bumper by unbolting four bolts per side as shown in Figure 1.

Note:

if the truck is equipped with plastic factory bumper, there are two bolts on top center side of the bumper which need to be removed as well (see Figure 1.2)

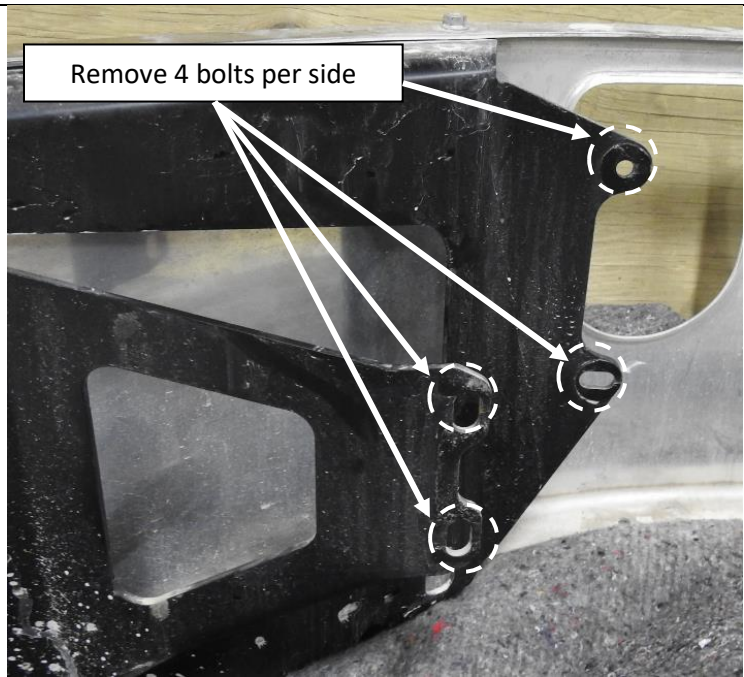


Figure 1.1 – Remove Factory Bumper (Passenger Side Shown)

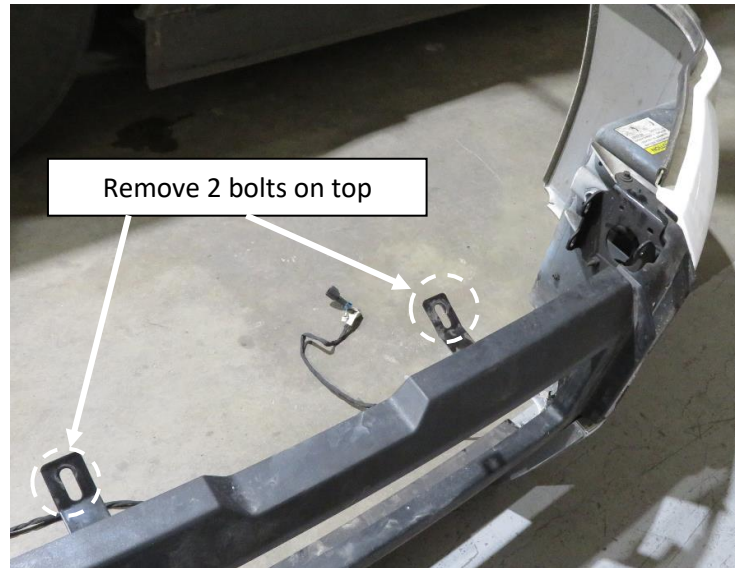


Figure 1.2 – Remove center bolts on plastic bumper

Installation Procedure

2. Remove factory two hooks as shown in Figure 2.

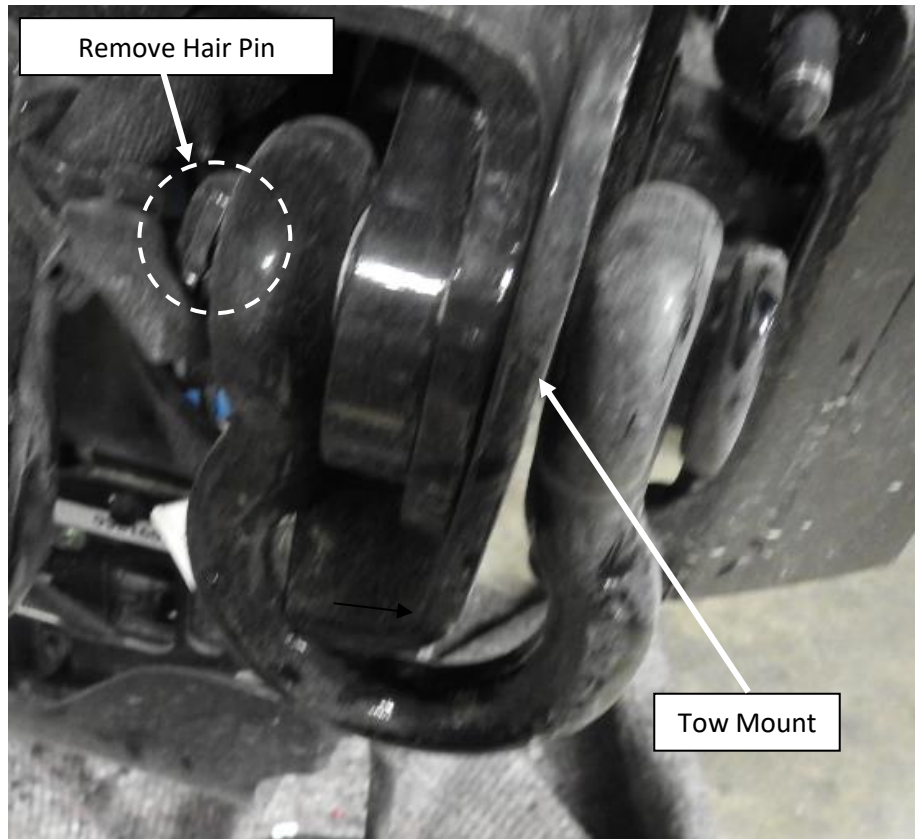


Figure 2 – Factory Tow Hook Uninstall (Passenger Side Shown)

Installation Procedure

3. Disconnect wiring harness as shown in Figure 3.



Figure 3 – Wiring Harness Removal (Passenger Side Shown)

4. If truck is equipped with the mesh plate in front of its crossmember, remove the mesh surface.

Note:

if truck is equipped with Collision Avoidance System (CAS), disconnect the wiring of the CAS from its radar and remove the CAS radar from the crossmember. (The radar is mounted in front of mesh plate – not shown here)



Figure 4 – Mesh plate Removal (Passenger Side Shown)

Installation Procedure

5. Install Herd mounting kit (items 8, 9 and 10) to truck frame. Use 1" bolt, nut and washer (items 23, 24 and 25) to attach the mounting brackets (items 8 and 9) to the tow mounts, torque to 600 lb-ft. Use 7/16" bolt, nut and washer (items 26, 27 and 28) to attach center mounting bracket (item 10) to truck frame, torque to 52 lb-ft.

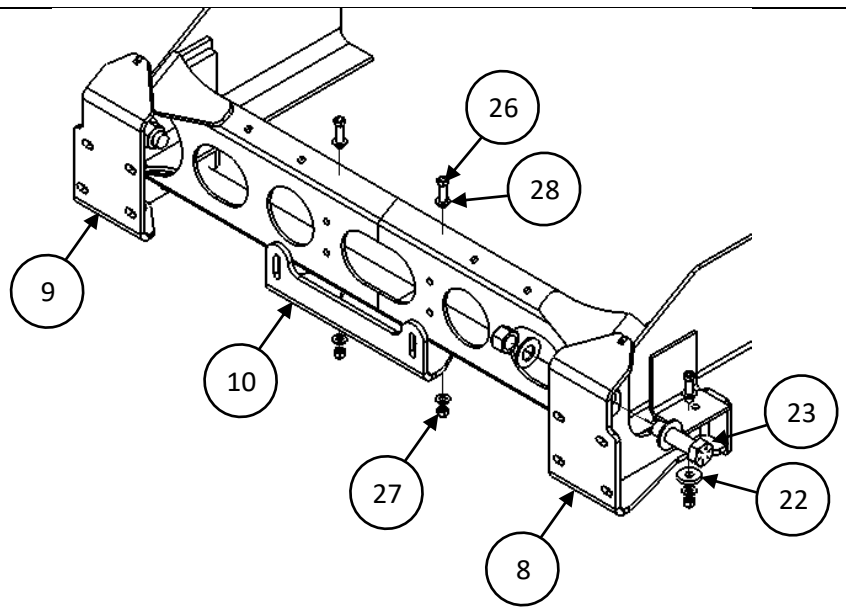


Figure 5.1 – Herd Mounting Brackets Installation

Note:

Please make sure the mounting brackets (items 8 and 9) are mounted from the bottom and slide in between the truck's tow mount and OEM bracket as shown in Figure 5.2

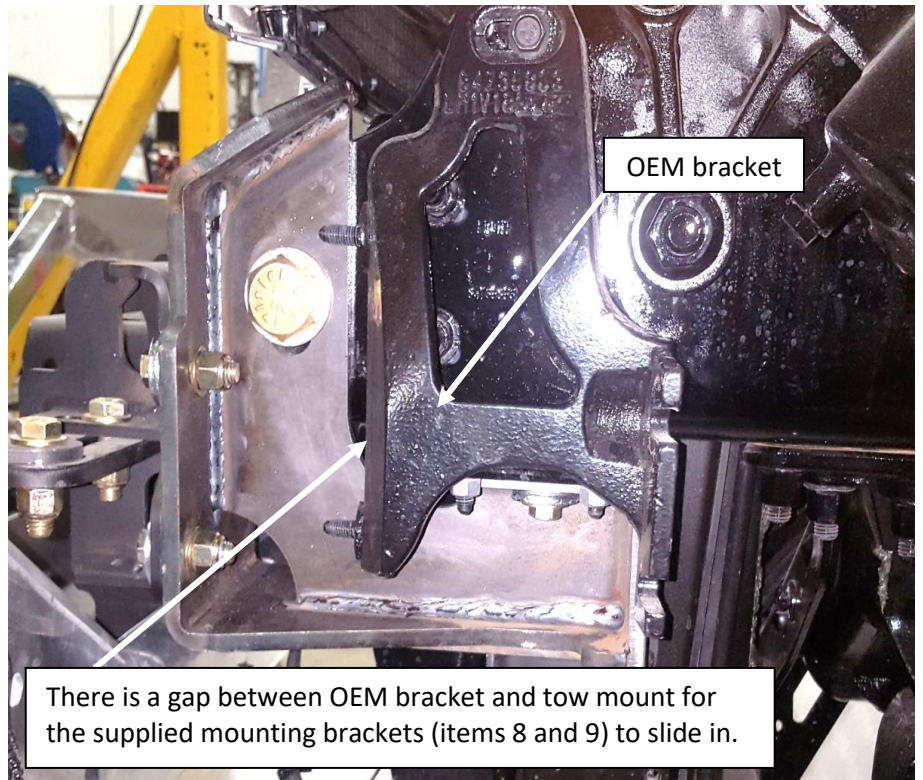


Figure 5.2 – Herd Mounting Brackets Location (Driver Side Shown)

Installation Procedure

6. Open bumper by pulling on the handle. Using a crane, lift the bumper (Item 1) and universal bracket (Item 2) and attach to Herd submounts (items 8, 9 and 10).

Note:

If installer does not have a crane available, bumper can be disassembled from the universal bracket to simplify installation as shown in step 6, otherwise proceed to step 7.

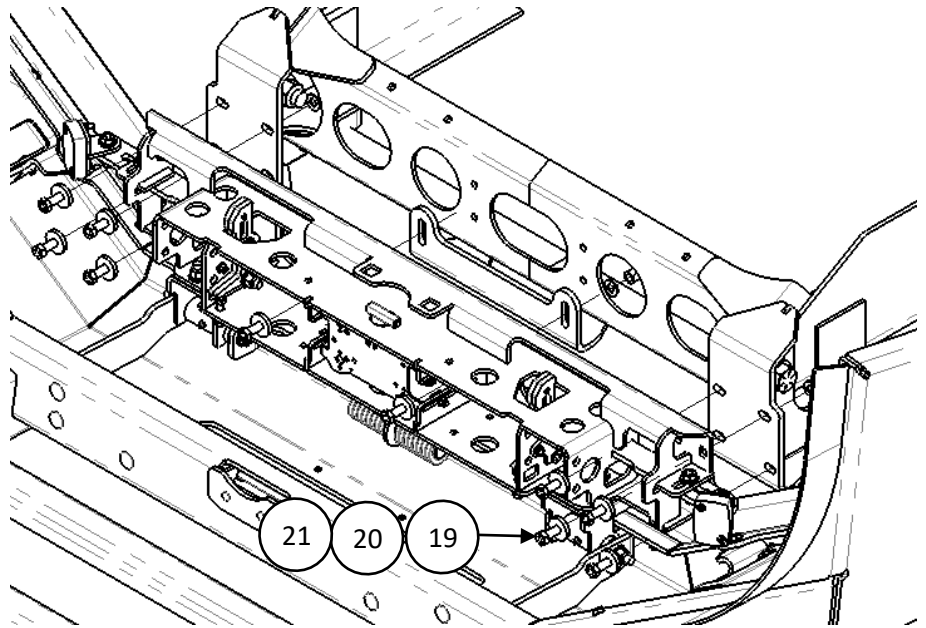


Figure 6 – Universal Bracket Installation

7. a) Ensure bumper is closed. From underneath the bumper, remove the 3/8" hardware securing the lift assist springs and slide off springs from the lift assist (Item 15).

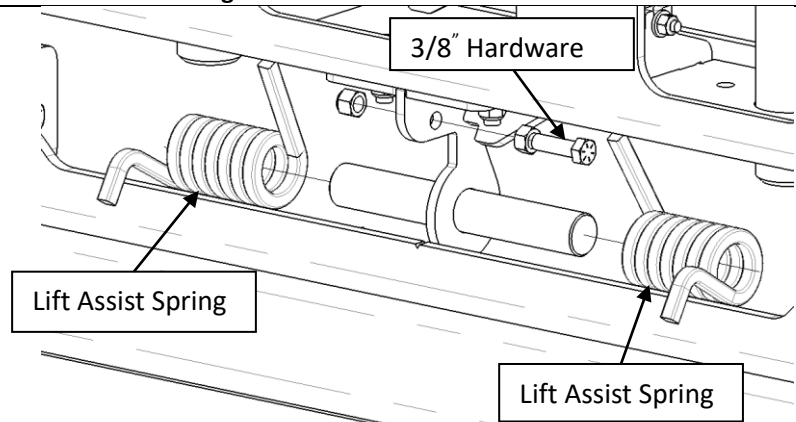


Figure 7.1 – Spring Assist Disassembly

- b) Once the springs are removed, carefully open the bumper using the slam latch. Remove the 1/2" hardware securing the bumper to the universal bracket. Remove bumper and set aside on cardboard. Now the bracket is isolated for mounting without a crane.

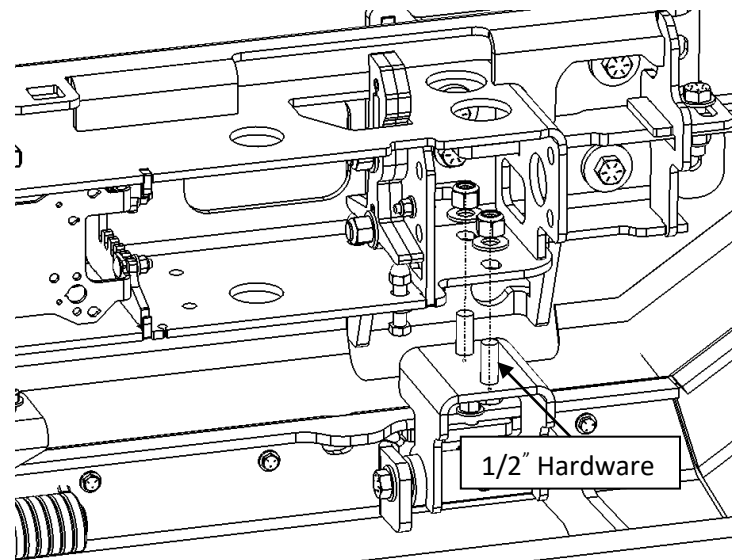


Figure 7.2 – Bracket and Bumper Disassembly (Driver Side Shown)

Installation Procedure

8. Install universal bracket (item 2) to submounts (items 8, 9 and 10) using the provided hardware (items 19, 20, 21). Loosely mount driver, center and passenger sides. Once fitment is confirmed, tighten all mounting bolts. Tight bolts to 110 lb-ft (10 bolts).

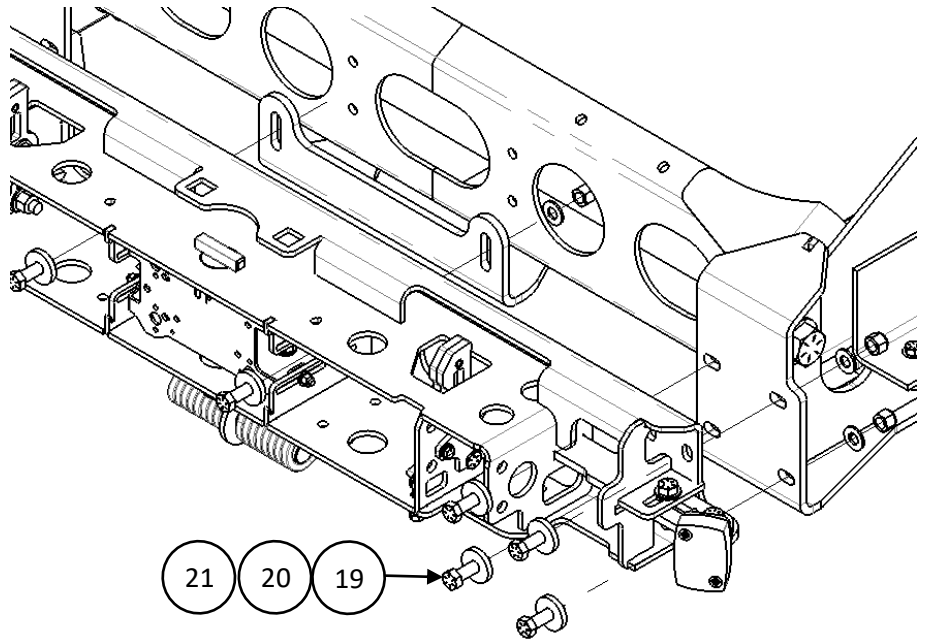


Figure 8 – Universal Bracket Submount Installation (Driver Side Shown)

9. If bumper was disconnected from the universal bracket in step 6, reverse the procedure to mount bumper back onto the bracket.
- a) First ensure the bumper hinges are open.
 - b) Attach using previously removed 1/2" bolts until the hinge just slightly touches the bracket.
 - c) Close the bumper and ensure the latch engages.
 - d) Open the bumper and tighten the bolts until they are snug.
 - c) Close the bumper again to ensure the latches engage properly.

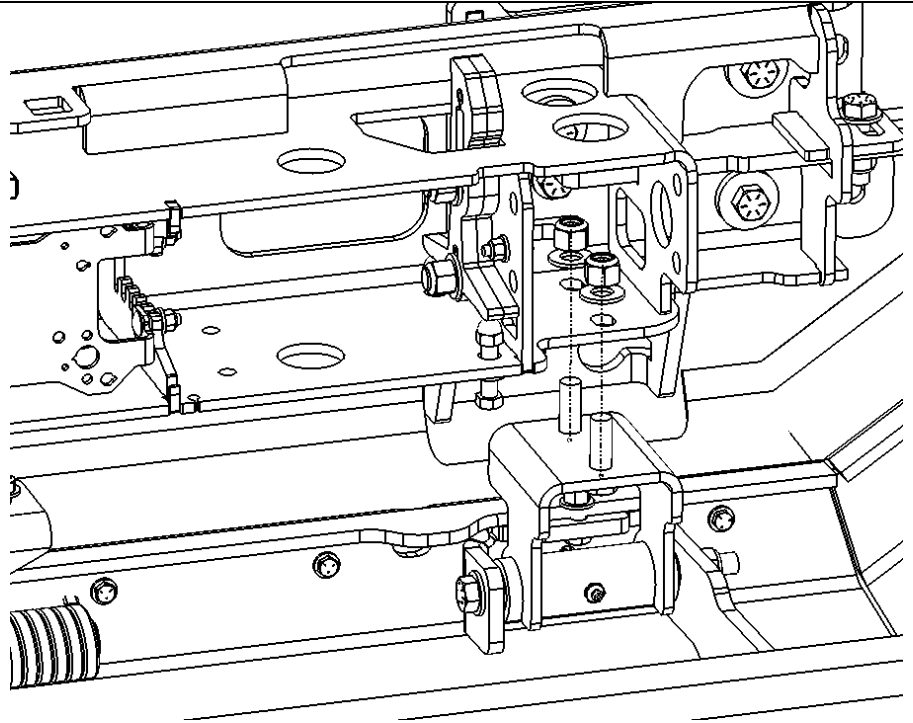


Figure 9.1 – Bracket and Hinge Reassembly

Installation Procedure

d) Fully tighten the ½” hardware to 110 ft·lb. Latches may need to be adjusted, refer to Slam Latch Adjustment guide (S012).

e) Close the bumper and slide springs onto the lift assist shaft, ensuring that spring arms are inserted into slots of bumper. Reinsert 3/8” hardware securing the lift assist springs.

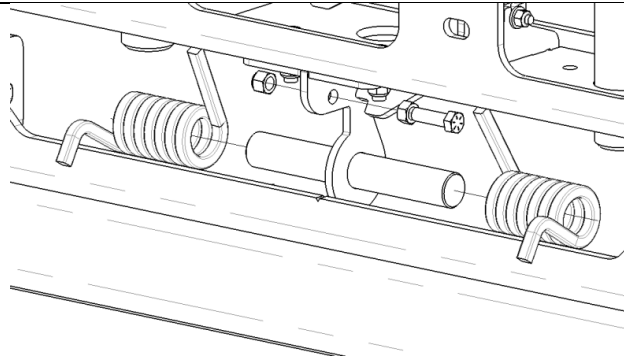


Figure 9.2 – Lift Assist Reassembly

10. If equipped with OEM driving lights, remove driving lights from factory bumper and retain OEM hardware.

Mount OEM driving lights into the mounting bracket for both passenger and driver sides using the provided hardware.

Reinstall driving light brackets into HERD bumper using the provided hardware.



Figure 10 – OEM Light Installation (Passenger Side Shown)

Installation Procedure

11. Insert the nylon licence plate nuts into the square cut-outs in the bumper and licence plate bracket. Bolt the bracket into place using the licence bolts. The front four bolts can be used to mount a licence plate as needed (Optional product - please order when needed).

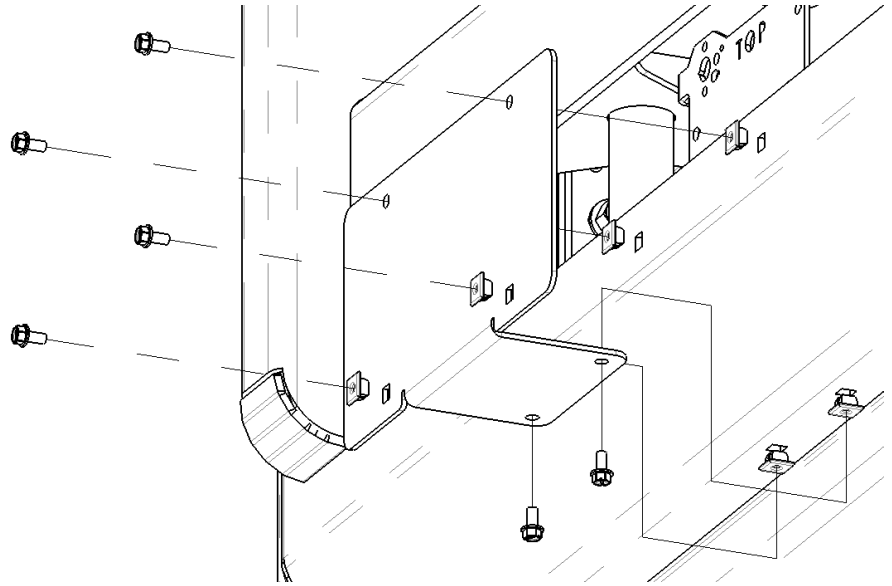


Figure 11 – License Plate Installation

12. Install Air Deflector (item 12) to Herd bumper (item 1) with the provided hardware (items 16, 17 and 18).

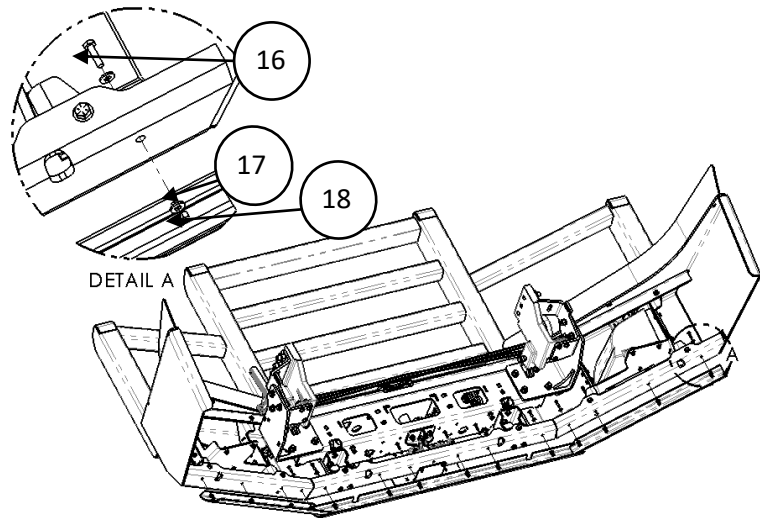


Figure 12 – Installation of Air Deflector

13. If the truck was equipped with a radar sensor, please refer to the HERD S009 Installation Guide.

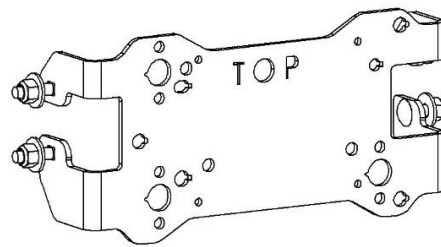


Figure 13 – HERD Radar Sensor Bracket

Installation Procedure

14. If installing surface-mount signal lamps, 4LMPA001, apply maximum 85 in-lbs (7ft-lbs, 9.6Nm) to mounting nuts.

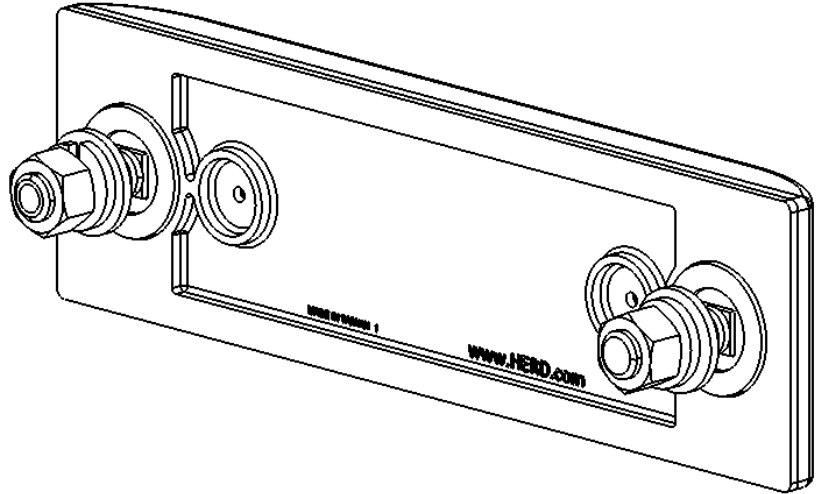


Figure 14 – Signal light Installation

Important

- Check mounting points after the first 5000 km and every 3-6 months.
- This bumper is equipped with Herd Slam Latch which requires periodic adjustment. Refer to Slam Latch Installation adjustment instructions (S001) to properly adjust your Slam Latch.