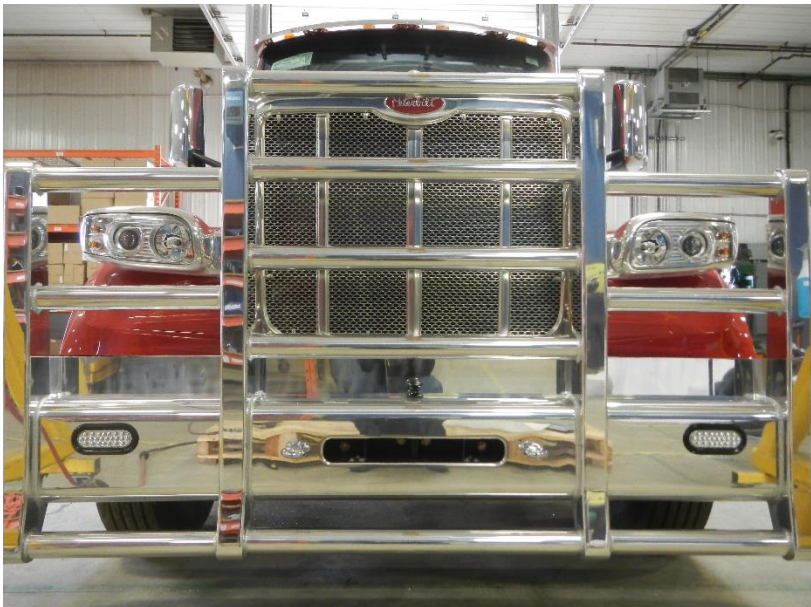


<b>This Guide is for all Truck Guard Models, including (where applicable):</b>
Aero
Defender
Texas
Big Texas
Road Train
Super Road Train

Thank you for choosing HERD!

For assistance call  
1-888-543-4373  
[www.HERD.com](http://www.HERD.com)

Truck I.D.	Truck Models
PB25	Peterbilt 567 - SFA



### Important

- Herd Truck Guards are vehicle "Make & Model" specific. Use of a Truck Guard on a vehicle other than the model it was designed for will constitute improper use of the product and may void warranty.
- Unless otherwise specified, Grade 8 or Class 10.9 hardware is to be used. For the purposes of these instructions, OE hardware means the truck's original factory hardware.
- For further detail of warranty coverage and warranty repair information visit [www.HERD.com](http://www.HERD.com).

### General Safety

- Take time to fully read the instructions before installing the Herd Truck Guard.
- At all times exercise safe work shop practices, wear steel toe boots and safety glasses during installation.
- Parts and components of the Herd Truck Guard can be heavy, handle with care to avoid injuries.
- Respect power tools and use them as advertised.

HERD North America Inc.  
2168 Springfield Road  
Box 28, Group 525, RR5  
Sunnyside, MB Canada R5R 0J3

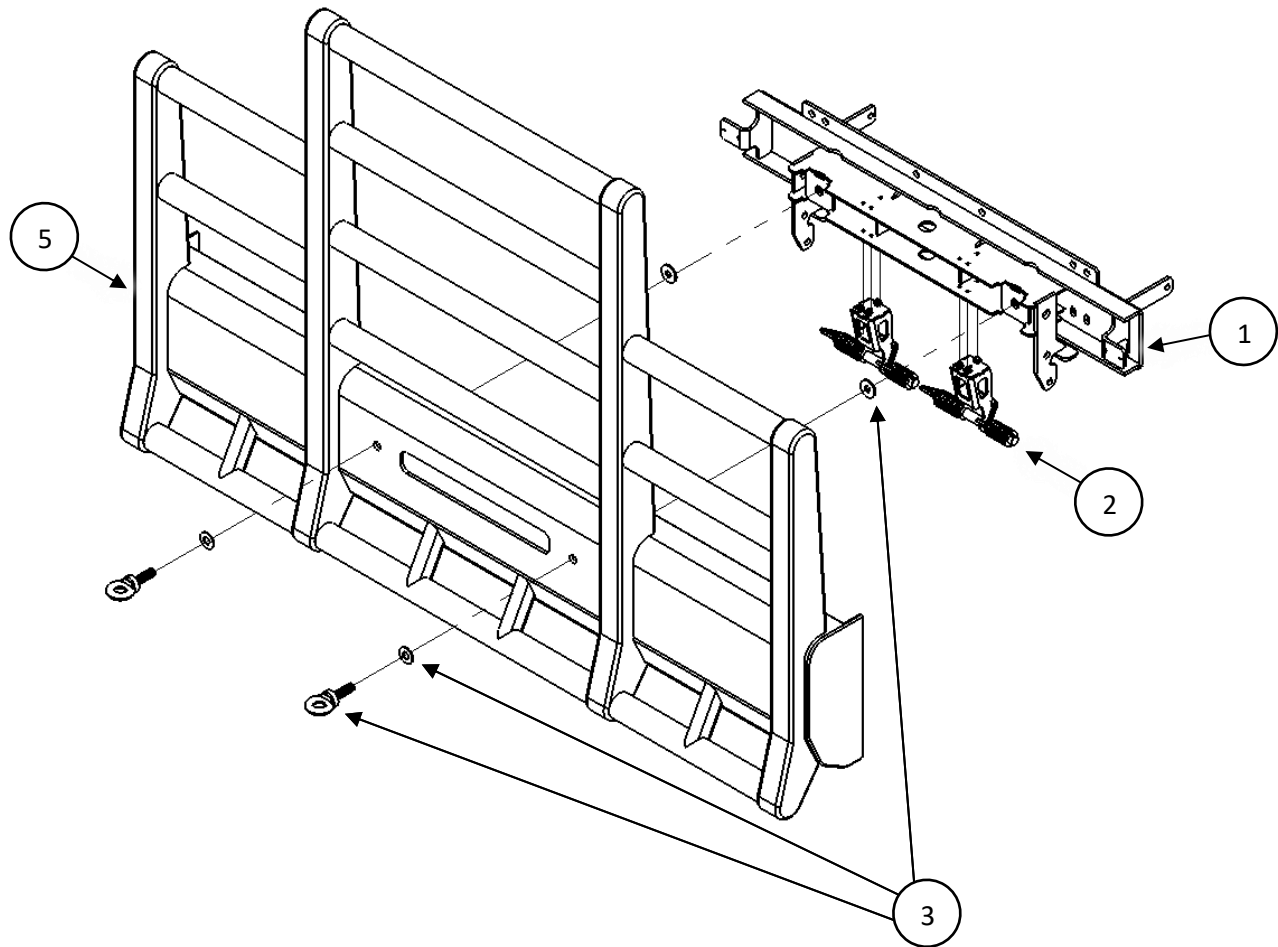


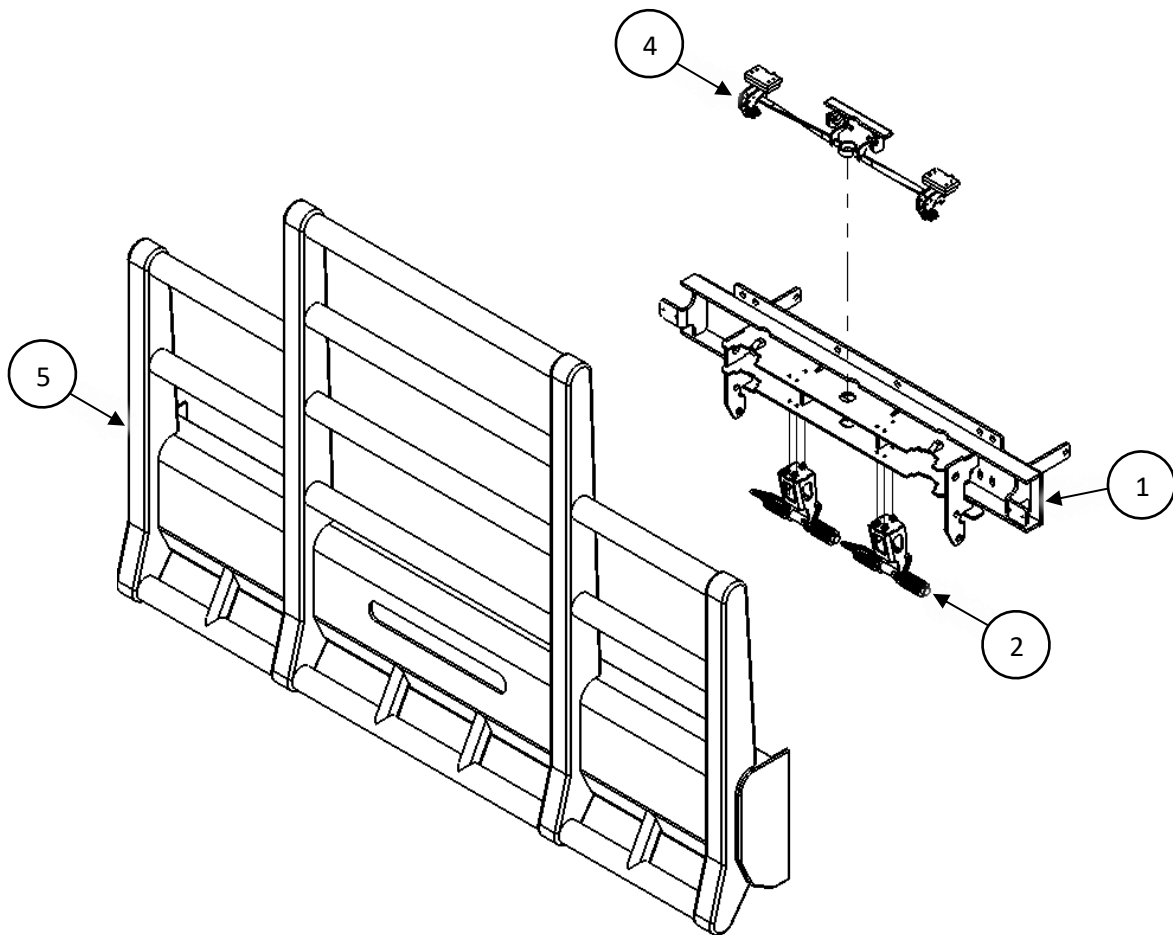
Figure 1 – Captive Eye Bolt Latching System

Table 1: Parts and Hardware Included

Item No	Part No	Description	Qty
1	BR-PB10-AT (Only with Aero, Road Train, Super Road Train, Texas, & Big Texas Versions) or BR-PB10-FLT (Only with Defender Version)	BRACKET, PETERBILT, 367 / 388 / 389 - Straight Hood - SFA	1
2	1MPA027 (Only with Aero, Road Train, Super Road Train, Texas, & Big Texas Versions) or 1MPA024 (Only with Defender Version)	ASSY - LEGACY LIFT ASSIST	2
3	7-EYEBOLT KIT	CAPTIVE EYEBOLT ASSEMBLY	2
5	HERD TRUCK GUARD	TRUCK GUARD APPEARANCE MAY VARY BY SKU	1
*6	500086	BOLT-HEX 1/2-13X2 NC GR8 YZP	4
*7	500167	NUT-NYLOCK 1/2-13 NC GR8 YZP	4
*8	500206	WASHER-FLAT 1/2 SAE GR8 YZP	8
*9	500120	BOLT-HEX 5/8-11X2-1/2 NC GR8 YZP	4
*10	500176	NUT-NYLOCK 5/8-11 NC GR8 YZP	4
*11	500214	WASHER-FLAT 5/8 SAE GR8 YZP	8

Items marked with \* are not shown in Figure 1 above

**Reference this Parts List if your Truck Guard has a Slam Latch Latching System**



**Figure 2 – Slam Latch Latching System**

**Table 2: Parts and Hardware Included**

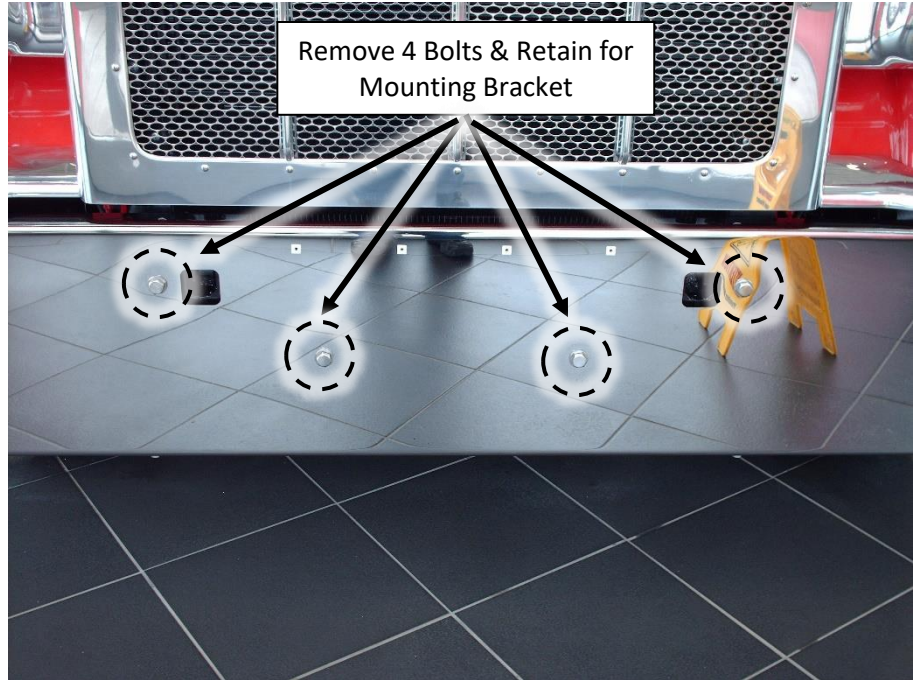
Item No	Part No	Description	Qty
1	BR-PB10-AT-SL (Only with Aero, Road Train, Super Road Train, Texas, & Big Texas Versions) or BR-PB10-FLT-SL (Only with Defender Version)	BRACKET, PETERBILT, 367 / 388 / 389 - Straight Hood - SFA	1
2	1MPA027 (Only with Aero, Road Train, Super Road Train, Texas, & Big Texas Versions) or 1MPA024 (Only with Defender Version)	ASSY - LEGACY LIFT ASSIST	2
4	4-MC-SLA-A	ASSY- LEGACY SLAM LATCH	1
5	HERD TRUCK GUARD	TRUCK GUARD APPEARANCE MAY VARY BY SKU	1
*6	500086	BOLT-HEX 1/2-13X2 NC GR8 YZP	4
*7	500167	NUT-NYLOCK 1/2-13 NC GR8 YZP	4
*8	500206	WASHER-FLAT 1/2 SAE GR8 YZP	8
*9	500120	BOLT-HEX 5/8-11X2-1/2 NC GR8 YZP	4
*10	500176	NUT-NYLOCK 5/8-11 NC GR8 YZP	4
*11	500214	WASHER-FLAT 5/8 SAE GR8 YZP	8

Items marked with \* are not shown in Figure 2 above

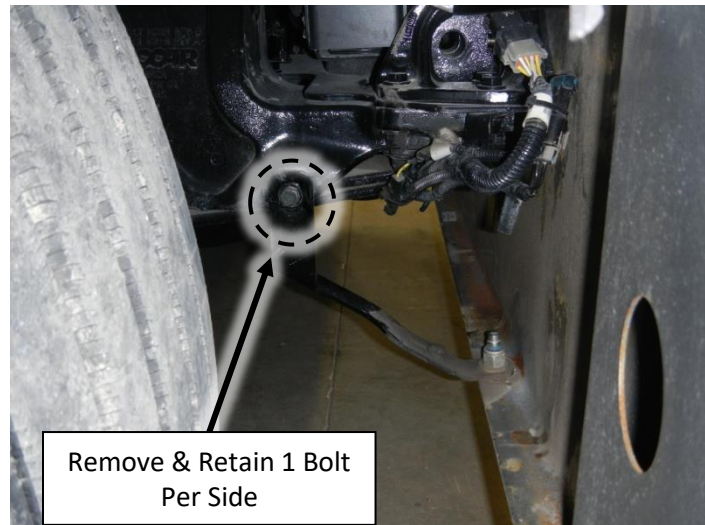
## Installation Procedure

1. Remove the 4 OEM bolts on the front of the OEM bumper and 2 OEM bolts behind the bumper as shown. Retain factory hardware for use in mounting bracket.

Remove the OEM bumper. If factory center tow pin is an option on the truck, remove it as well. If the truck has a collision mitigation radar sensor, unplug and remove it.



**Figure 3 – OEM Bumper Removal Front View**



**Figure 4 – OEM Bumper Removal Back View**

## Installation Procedure

2. Install Center loose bracket (Part of Item 1) with supplied hardware (Items 9, 10, 11).

Front face of bracket to be flush with front face on crossmember.

Keep the factory truck bolts for use in mounting the bumper bracket to the truck, see step 4.

**Failure to mount this bracket will greatly affect the towing and impact quality of the bumper and may void warranty.**

REMOVE & RETAIN THE FACTORY TRUCK BOLTS FROM THIS SECTION OF THE TRUCK'S CROSSMEMBER. BOLT ON THE CENTER BRACKET USING SUPPLIED HARDWARE.



Figure 5 – Centre Bracket Installation

3. Mount the bumper bracket onto the front of the truck as shown below in the Figure 6. Use the supplied hardware (Items 9, 10, 11) and factory hardware retained from behind the bumper in step 1 to attach the bracket.

**Note:**

If installer has a crane available, truck guard can be attached onto truck with bracket, otherwise disassemble truck guard from bracket first. Keep hardware. If bumper is equipped with lift assist, the springs must be removed. Refer to instructions S004 (Defender bumpers) or S005 (Aero/Texas bumpers) for proper lift assist disassembly procedure.

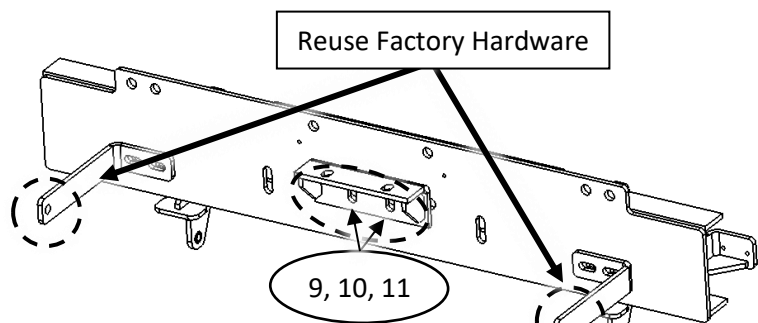
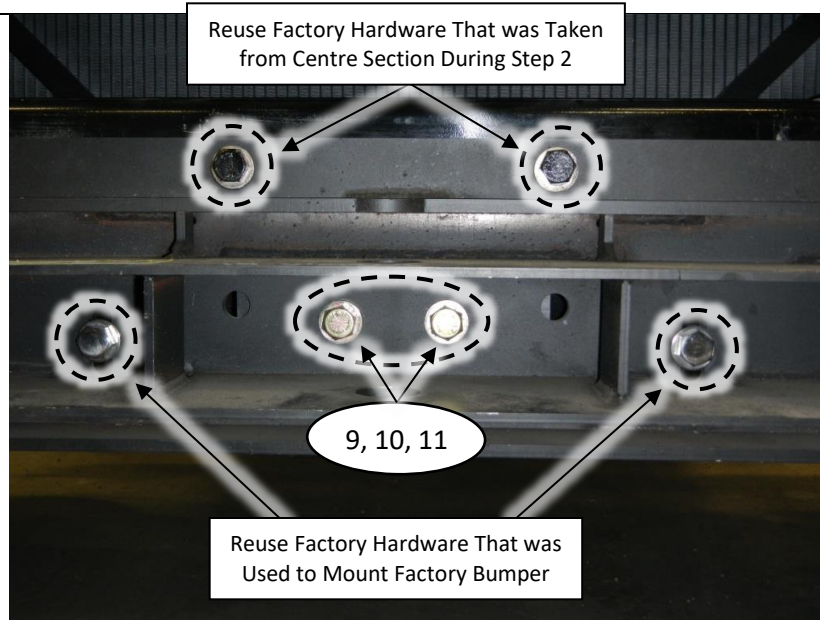


Figure 6 – Bracket Installation

## Installation Procedure

4. With the bracket mounted into place, ensure that all the centre section bolts are used to secure it to the truck (Items 9, 10, 11 & OEM Hardware).

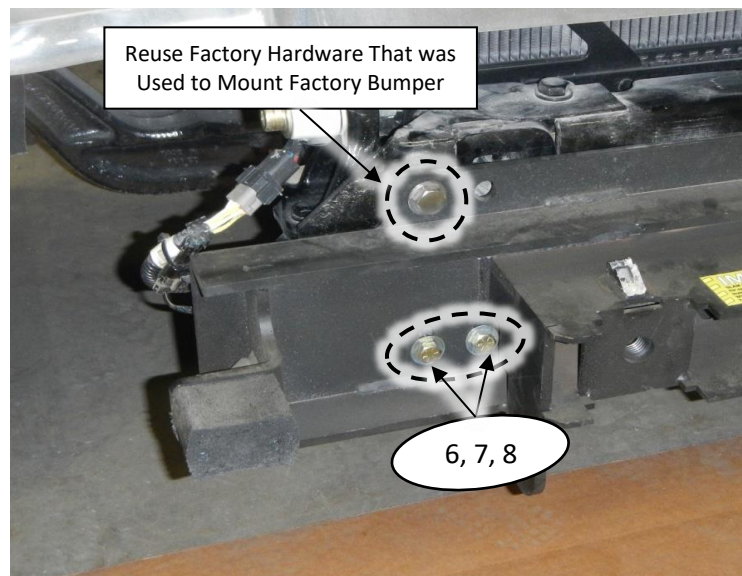
(see Figure 7)



**Figure 7** – Centre Section View of Bracket

5. With the bracket mounted into place, ensure that all the outside section bolts are used to secure it to the truck (Items 6, 7, 8 & OEM Hardware).

(see Figure 8)

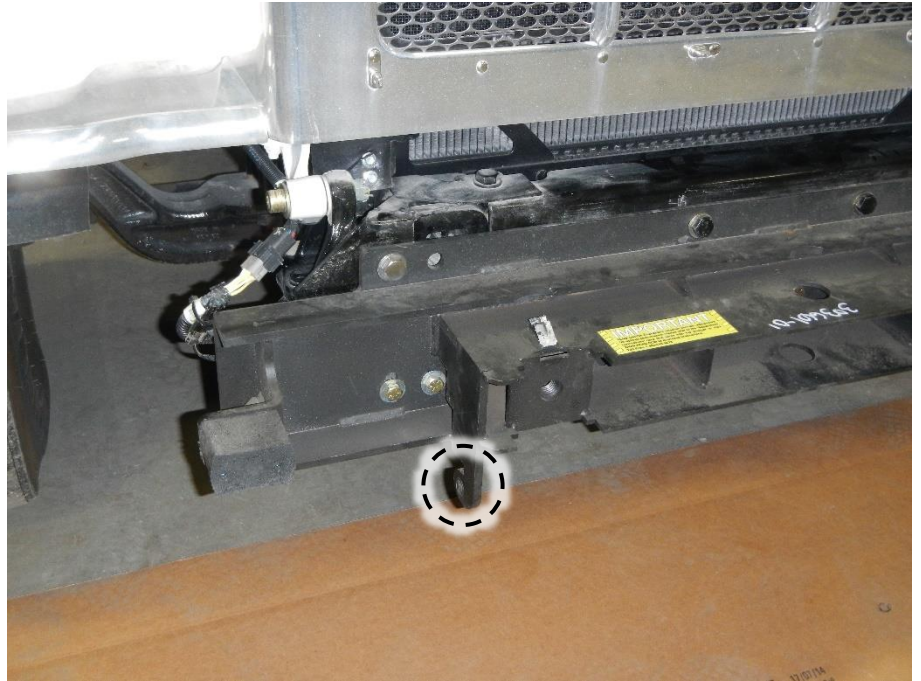


**Figure 8** – Outside Section View of Bracket

## Installation Procedure

6. If the Herd Truck Guard was disassembled from bracket in step 3, reinstall Herd Truck Guard onto bracket using the hardware kept from step 3.

**For DFLT & Defender models only:** To install the hinge bolts, the bumper must be in the open (down) position to allow the bottom lip to go under and around the steel hinge.



**Figure 9** – View of Bracket Hinge

7. Close the truck guard and check fitment. Truck guard position can be adjusted side to side and up or down as required. Once fitment is confirmed, tighten all mounting bolts. Torque 3/4" hardware to 150lb-ft. Torque 1/2" and 5/8" hardware to 110lb-ft.



**Figure 10** – Herd Truck Guard Installed

### Important

- Check mounting points after the first 5000 km and every 3-6 months.
- If this truck guard is equipped with Legacy Herd Slam Latch, periodic adjustment is required. Refer to Legacy Slam Latch Installation adjustment instructions to properly adjust your Slam Latch.
- The drop-forged eyebolts are an integral part of the strength of Herd Truck Guards. When tightened firmly, they will minimize vibration and provide superior impact resistance.
- To help maintain the factory finish, avoid acid wash.