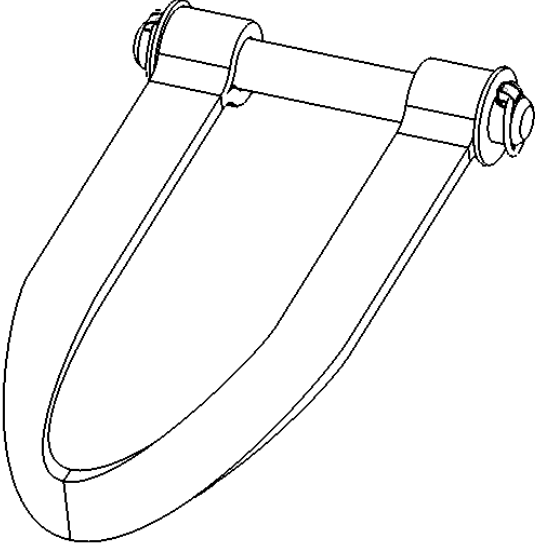


Part #	Product
4STA001	Tow Strap Kit
	

Thank you for choosing HERD!

For assistance call
1-888-543-4373
www.HERD.com

Important

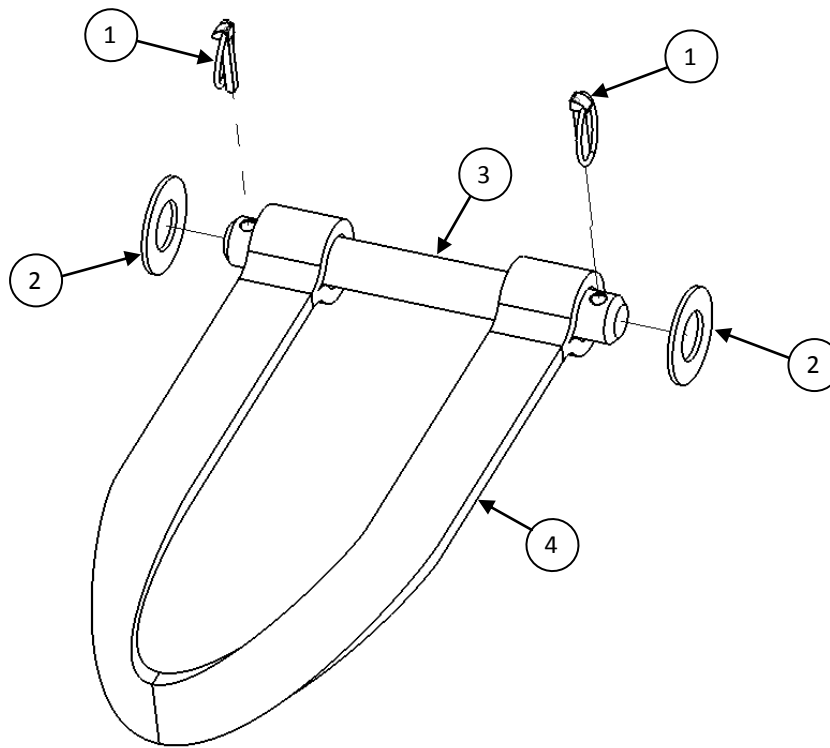
- Herd Bumpers are vehicle "Make & Model" specific. Use of a bumper on a vehicle other than the model it was designed for will constitute improper use of the product and may void warranty.
- Unless otherwise specified, Grade 8 or Class 10.9 hardware is to be used. For the purposes of these instructions, OE hardware means the truck's original factory hardware.
- For further detail of warranty coverage and warranty repair information visit www.HERD.com.

General Safety

- Take time to fully read the instructions before installing the Herd bumper.
- At all times exercise safe work shop practices, wear steel toe boots and safety glasses during installation.
- Parts and components of the Herd bumper can be heavy, handle with care to avoid injuries.
- Respect power tools and use them as advertized.

HERD North America Inc.
2168 Springfield Road
Box 28, Group 525, RR5
Winnipeg, MB. Canada R2C 2Z2

Parts and tools referenced in this instruction



Parts and hardware included

Item No	Part No	Description	Qty
1	LRP.3125X1.25	Locking Ring Pin $\frac{5}{16}$ "x1 $\frac{1}{4}$ " YZP	2
2	FW1.25SAE	Flat washer, 1 $\frac{1}{4}$ " SAE, ZP	2
3	1TP002	Tow Pin, 1 $\frac{1}{8}$ " OD	1
4	4ST001	Strap, tow, GG	1

Tools Required

Tool	Specification
NA	NA

Installation Procedure

1. Insert tow pin (Item 1) through one end loop of tow strap (Item 4), then guide tow pin through tube in receiver mount. Route opposite tow strap loop over tow pin, install washer (Item 2) and lock ring (Item 1) to secure assembly to the Bumper or Grill Guard.

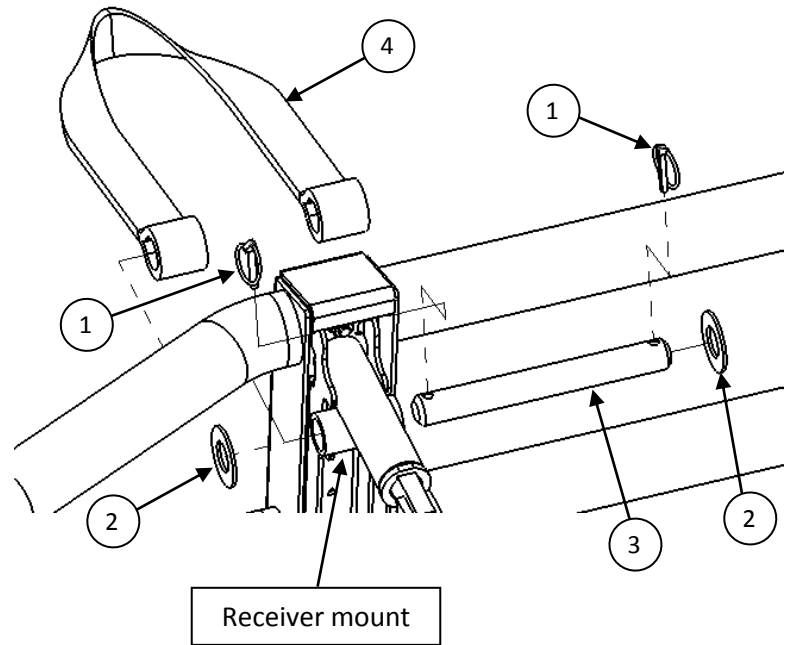


Figure 1 – Tow strap kit installation.

2. Installed Tow Strap shown.

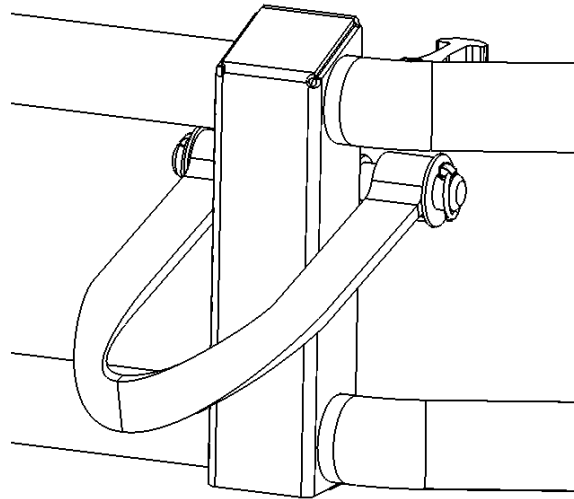


Figure 2 – Tow strap installed.