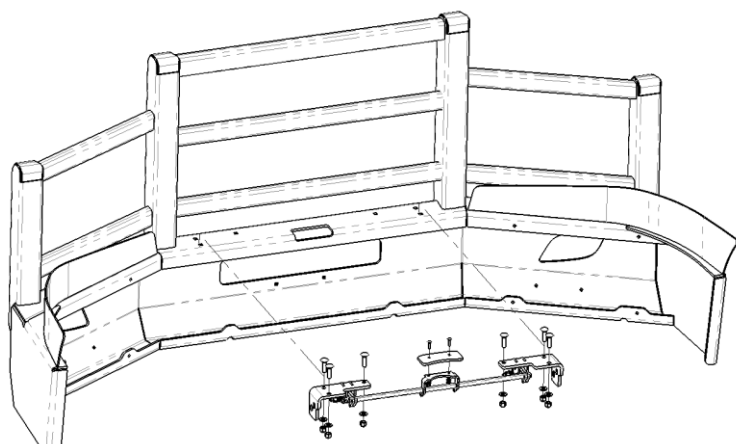


Part #	Product
100027 Series: C4-02	Slam Latch Kit
	

Thank you for choosing HERD!

For assistance call
1-888-543-4373
www.HERD.com

Important

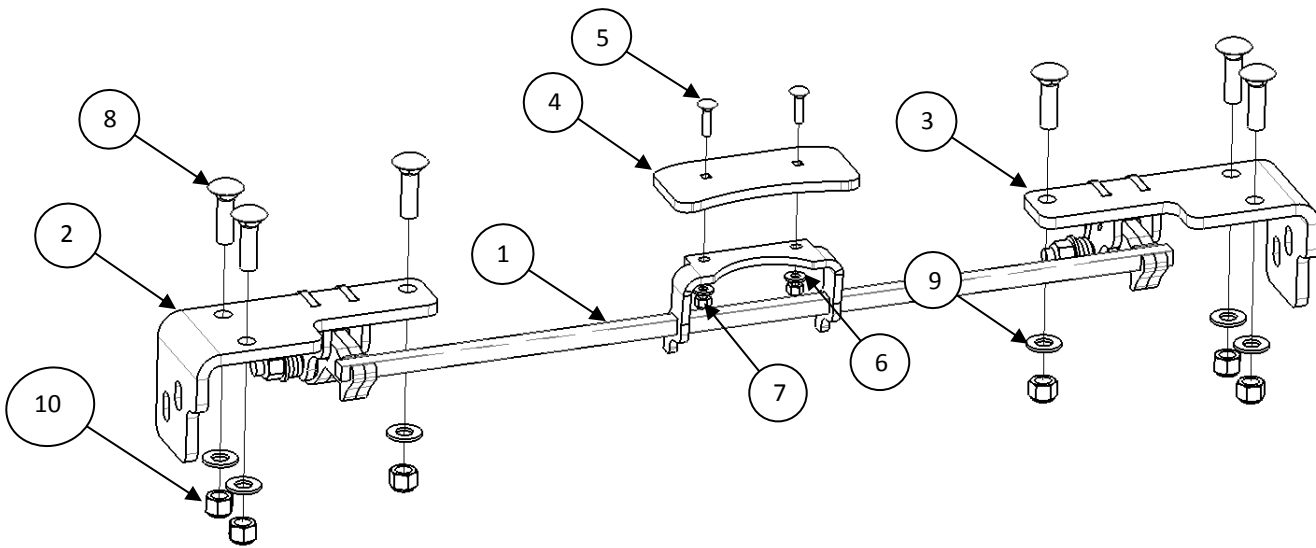
- Herd Bumpers are vehicle "Make & Model" specific. Use of a bumper on a vehicle other than the model it was designed for will constitute improper use of the product and may void warranty.
- Unless otherwise specified, Grade 8 or Class 10.9 hardware is to be used. For the purposes of these instructions, OE hardware means the truck's original factory hardware.
- For further detail of warranty coverage and warranty repair information visit www.HERD.com.

General Safety

- Take time to fully read the instructions before installing the Slam Latch mechanism.
- At all times exercise safe work shop practices, wear steel toe boots and safety glasses during installation.
- Parts and components of the Herd bumper can be heavy, handle with care to avoid injuries.
- Respect power tools and use them as advertised.

HERD North America Inc.
2168 Springfield Road
Box 28, Group 525, RR5
Winnipeg, MB. Canada R2C 2Z2

Parts referenced in this instruction



Parts and hardware included

Item No	Part No	Description	Qty
1	100029	CLAW ASSEMBLY, C4-02 SLAM LATCH	1
2	100033	WLDMT-SLAM LATCH DS	1
3	100035	WLDMT-SLAM LATCH PS	1
4	200003	PL-SL HANDLE	1
5	500080	BOLT-CARRIAGE 1/4-20X1 NC 18-8SS	2
6	500208	WASHER-FLAT 1/4 SAE GR8 YZP	2
7	500169	NUT-NYLOCK 1/4-20 NC GR8 YZP	2
8	500075	BOLT-CARRIAGE 1/2-13X1-3/4 NC 18-8SS	6
9	500206	WASHER-FLAT 1/2 SAE GR8 YZP	6
10	500167	NUT-NYLOCK 1/2-13 NC GR8 YZP	6

Important

- Steps 1 through 5 document the installation procedure for the **Herd Slam Latch**. The Slam Latch requires periodic adjustment. For instructions on how to properly adjust your Slam Latch, proceed to step 6.

1. If replacing a slam latch, unbolt it from the bumper and handle. Remove handle.

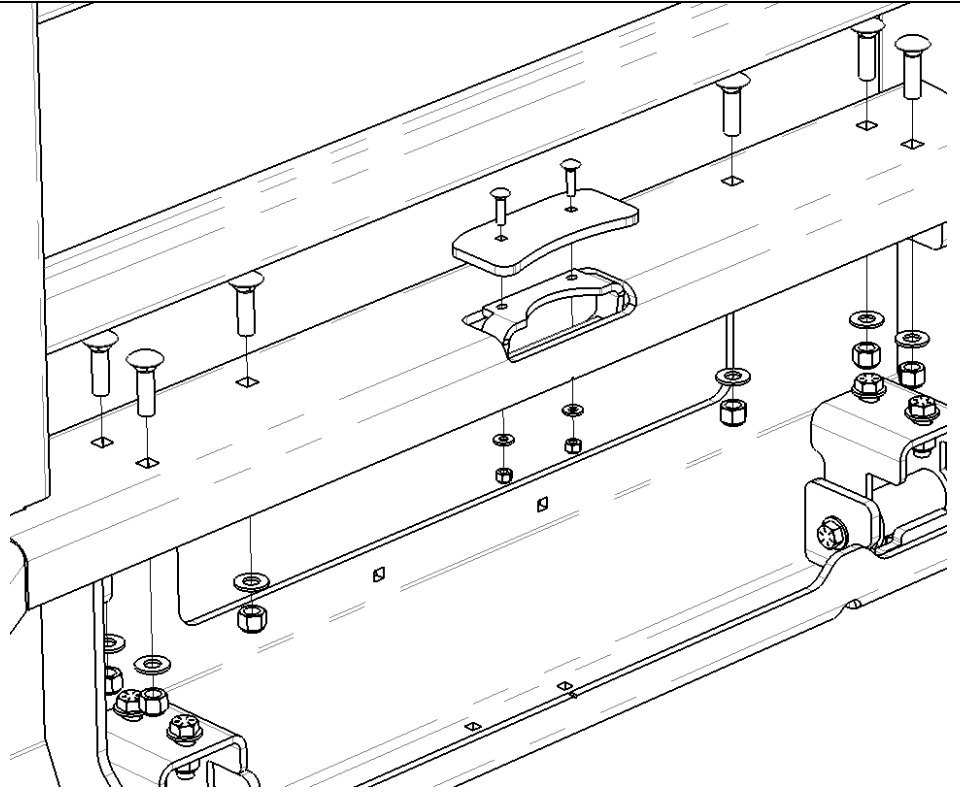


Figure 1 – Slam Latch Claw Assembly removal.

2. Unbolt the hardware securing the old slam latch to the hinge brackets. Remove the old slam latch.

Retain hardware from this step for reuse in step 5.

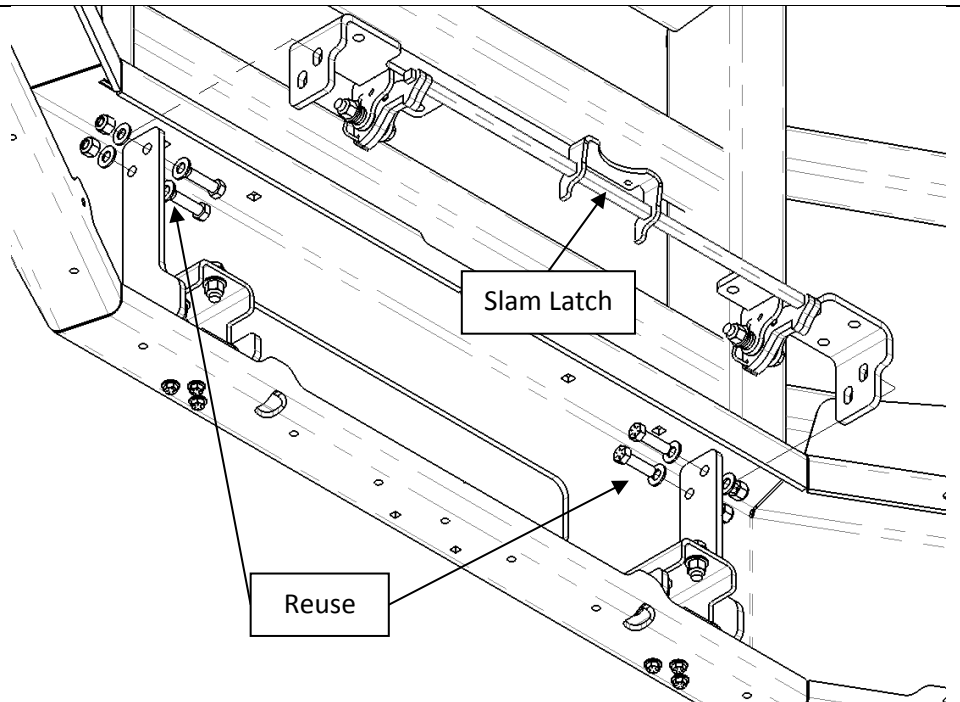


Figure 2 – Slam Latch Claw Assembly removal.

Installation Procedure

3. Remove Handle (Item 4) From the Slam Latch Assembly (Item 1) if pre-assembled.

Attach Claw Assembly C4-02 Slam Latch (Item 1, 2, 3) to Herd Bumper. Slam Latch must be fastened using the provided hardware (Items 8, 9, 10) on both driver side and passenger side as shown.

Ensure that the Slam Latch may still rotate forwards and backwards with relative ease after fastening.

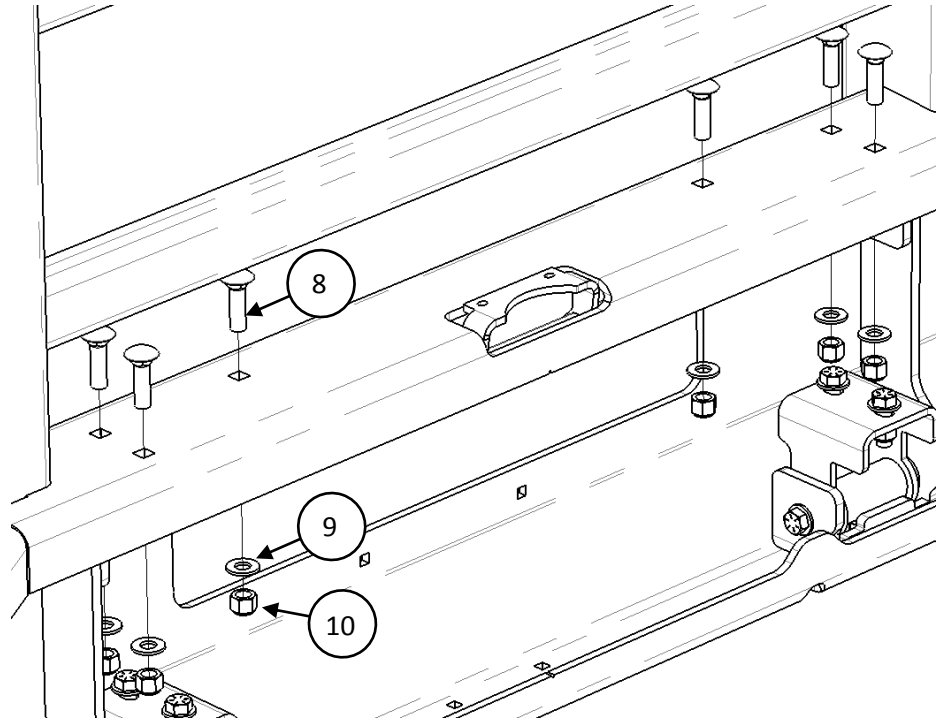


Figure 3 – Slam Latch Claw Assembly installation.

4. Fasten Handle (Item 4) to the Slam Latch Assembly (Item 1) using the provided hardware (Items 5, 6, 7)

Ensure that the handle grip (side with flared out ends) points toward the truck.

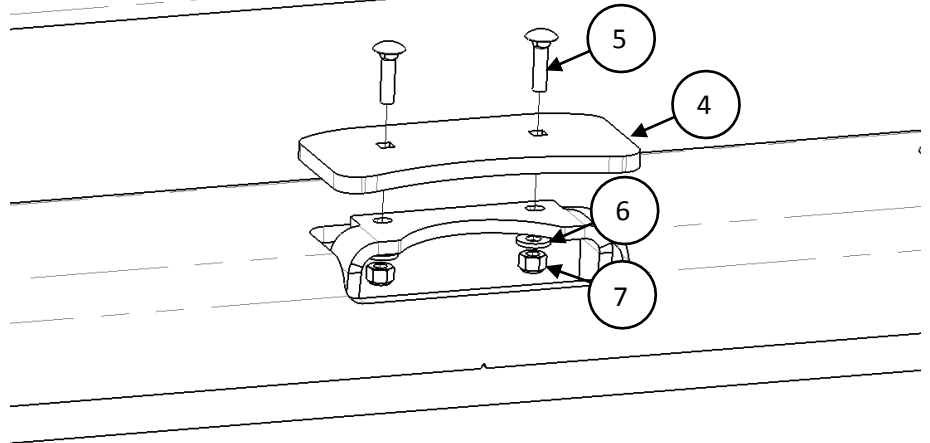


Figure 4 – Slam Latch installation close-up (driver side shown).

Installation Procedure

5. Fasten Slam Latch Claw Assembly (Item 1) to hinge bracket using the hardware kept for reuse during step 2.

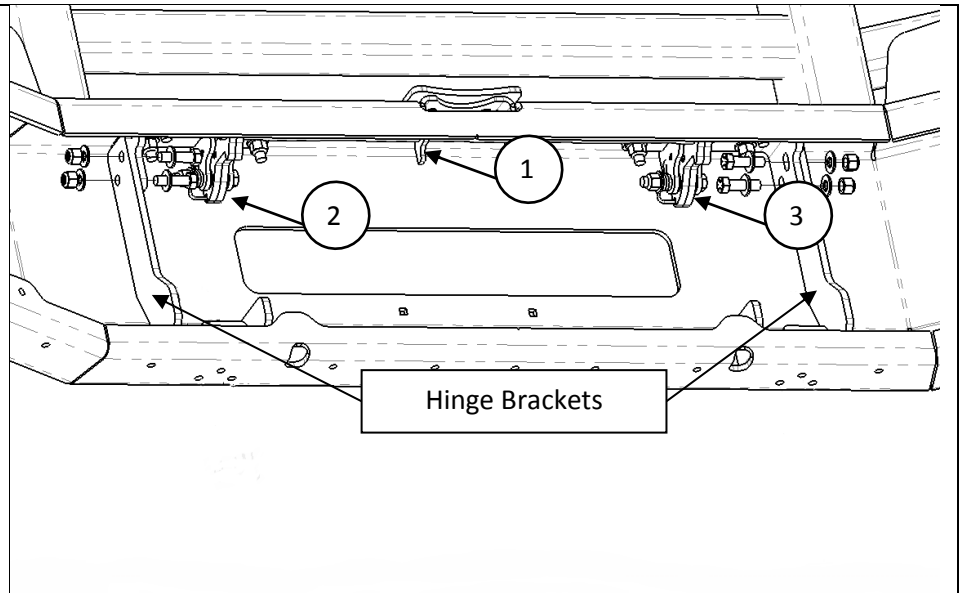


Figure 5 – Slam Latch Hinge Bracket bolt installation (Some components not shown).

Important

- The **Herd Slam Latch** requires adjustment. Proceed with the following steps for instructions on how to properly adjust your Slam Latch.

6. For the adjustment, access the mechanism through the front airflow cut-out of the Herd Bumper while in the closed state.

The adjustment is a reiterative process where the hinge is tightened in small intervals until it reaches the desired firmness without over-adjusting.

Read entire guide before continuing.

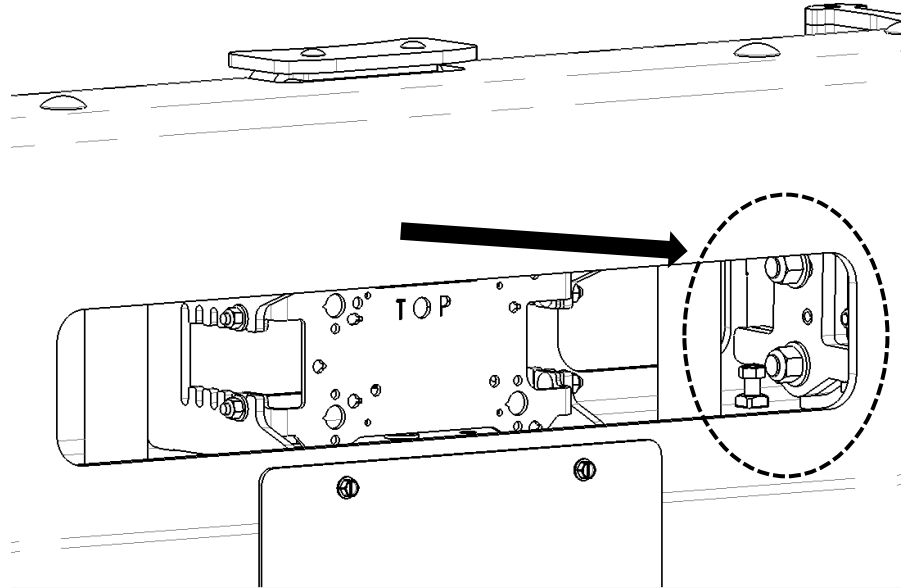


Figure 6 – Front view of Adjustment mechanism (drivers side shown)

7. For the following Slam Latch adjustment, the steps must be carried out on both the passenger and driver side at the same time.

For simplicity, only the driver side is shown in figures.

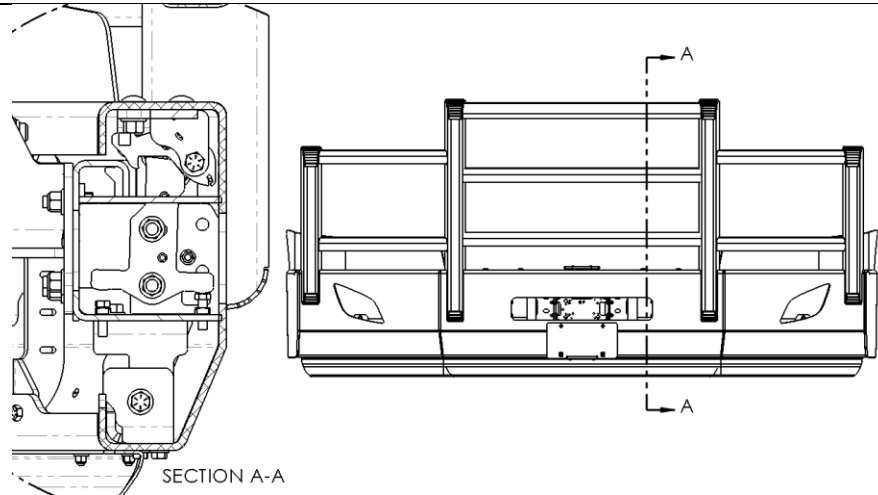


Figure 7 – Slam Latch adjustment perspective (driver side detail shown).

Installation Procedure

8. Loosen the two ½" hex bolts securing the latch ramp in place.

a) Bolt A should be loosened about a 1/2 turn to the point when it can barely move in its slot.

b) Bolt B should be loosened only about an 1/8 turn so that it is still snug yet under-tensioned.

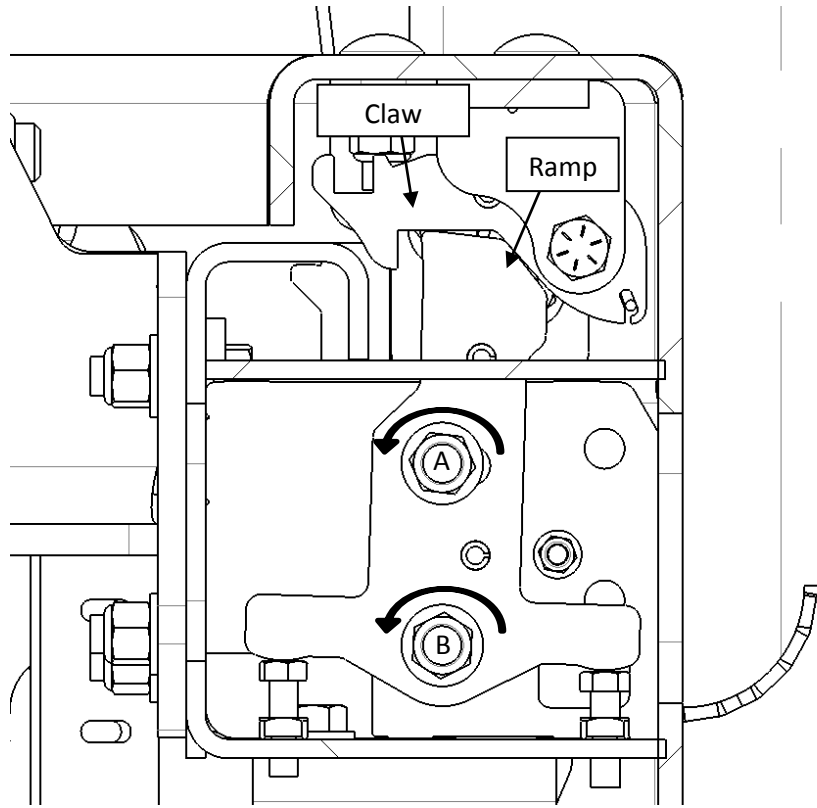


Figure 8 – Slam Latch adjustment; loosening of fastening bolts (driver side shown).

9. a) Lower Bolt C so that it disengages the Slam Latch Ramp.

b) Raise Bolt D **slightly** so that it forces the Slam Latch Ramp to rotate about Bolt B counter-clockwise.

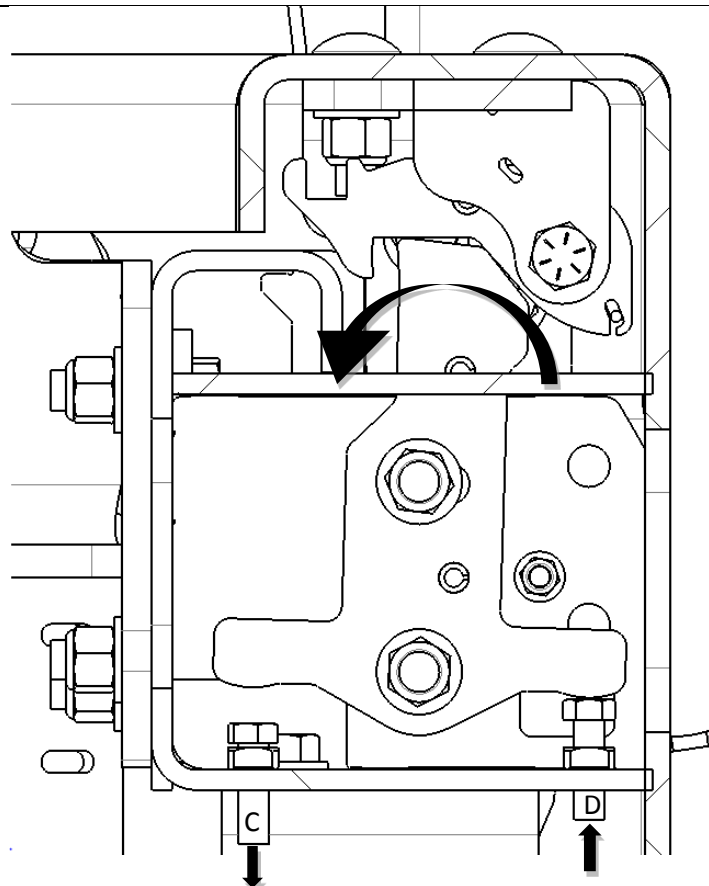


Figure 9 – Slam Latch adjustment of adjusting bolts (passenger side shown).

Installation Procedure

10. Raise Bolt C so that it reengages the Slam Latch Ramp and prevents over adjustment

The Bumper can now be open and closed to check fitment. The bumper should now close tighter than before.

If the Bumper Closes, but not tight enough, repeat steps 8 through 10 in order to get a tighter fit.

If the latch does not close, proceed to step 11.

If the Bumper Closes with desired firmness, proceed to step 12.

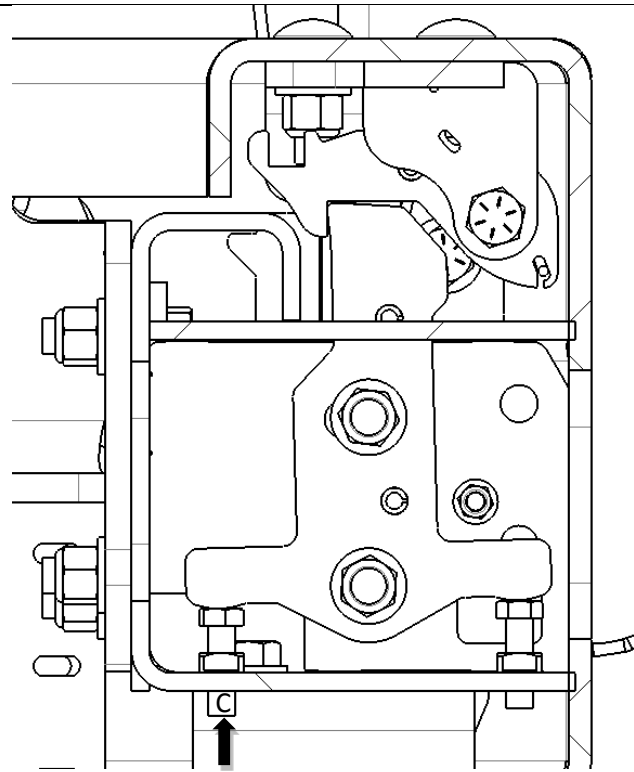


Figure 10 – Slam Latch perfectly adjusted position (passenger side shown).

11. If Bolts A and B were loosened too much in step 8, Bolt C wasn't reengaged to the Ramp, or Bolt D was raised too much; it is possible for the ramp to fall into an over adjusted position.

In this case, the Slam Latch will not be able to engage.

If this happens, lower Bolt D, open the bumper and pull the ramp back away from the over adjusted position.

Restart process from step 6

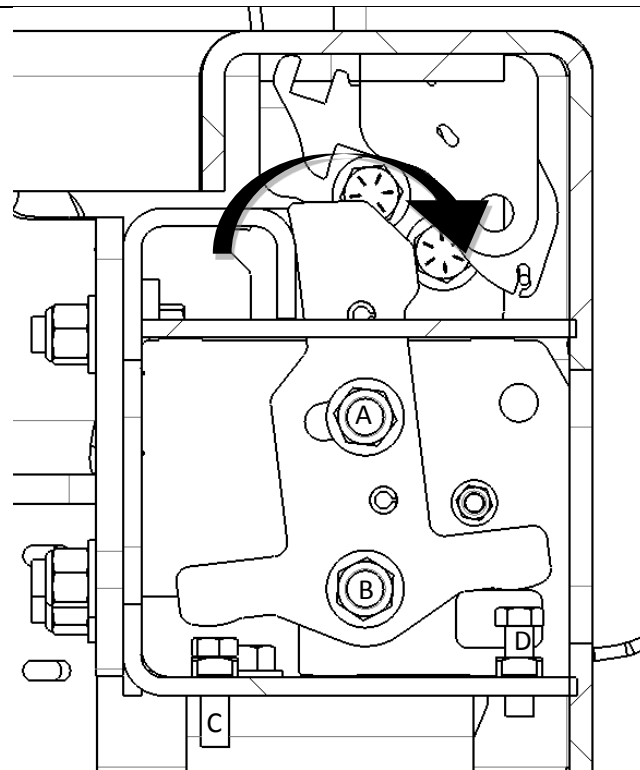


Figure 11 – Slam Latch over adjustment position (passenger side shown).

12. Tighten Bolt A and Bolt B to 110 ft-lbs, locking the ramp into the adjusted position. The adjustment is now complete.

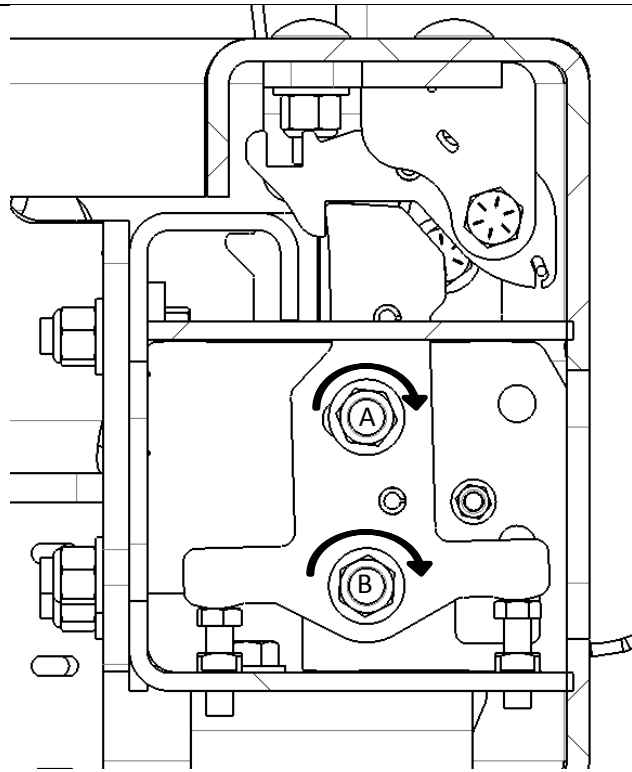


Figure 12 – Tightening of Slam Latch adjustment bolts (passenger side shown).