

For assistance call
 1-888-543-4373
www.HERD.com

HERD North America Inc.
 2168 Springfield Road
 Box 28, Group 525, RR5
 Winnipeg, MB. Canada R2C 2Z2

Part #	Product
100027 Slam Latch Kit	All C4-02 AeroPLUS

Important

- The **Herd Slam Latch** requires adjustment. Proceed with the following steps for instructions on how to properly adjust your Slam Latch.

- For the adjustment, access the mechanism through the front airflow cut-out of the Herd Bumper while in the closed state.

The adjustment is a reiterative process where the hinge is tightened in small intervals until it reaches the desired firmness without over-adjusting.

Read entire guide before continuing.

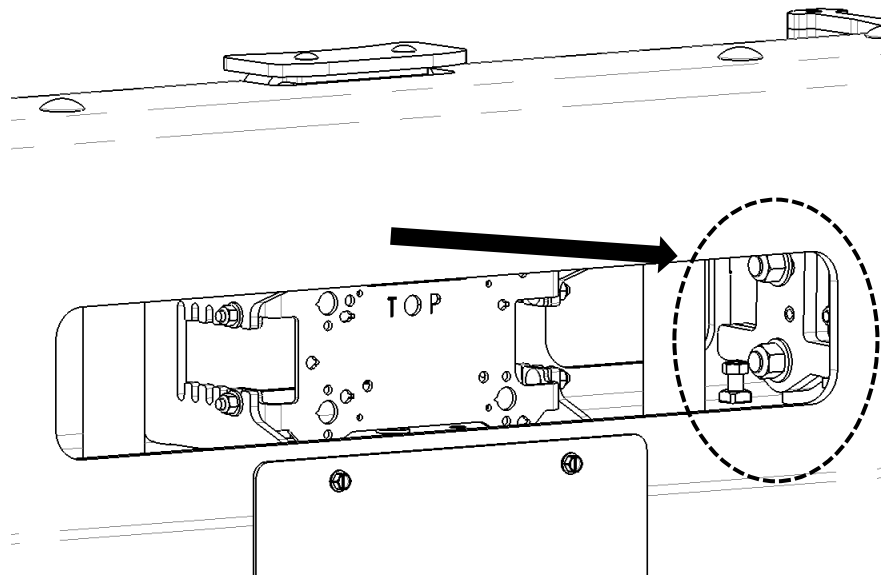


Figure 1 – Front view of Adjustment mechanism (drivers side shown)

2. For the following Slam Latch adjustment, the steps must be carried out on both the passenger and driver side at the same time.

For simplicity, only the driver side is shown in figures.

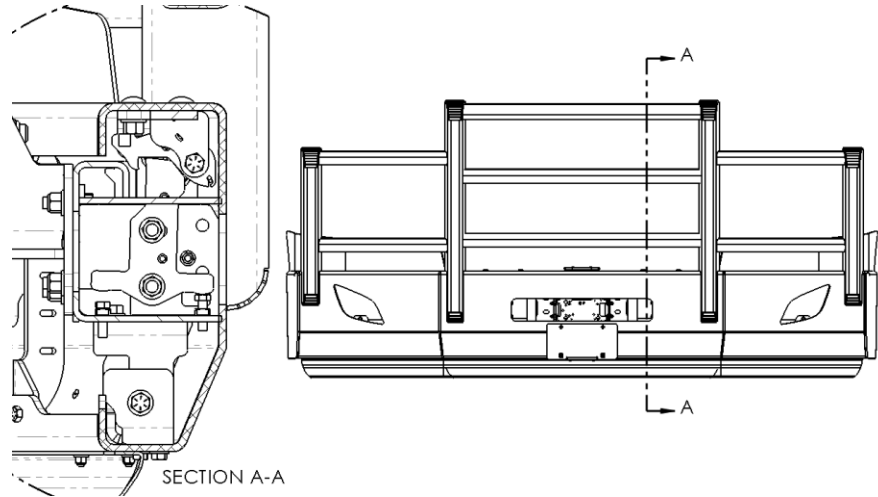


Figure 2 – Slam Latch adjustment perspective (driver side detail shown).

3. Loosen the two ½” hex bolts securing the latch ramp in place.

a) Bolt A should be loosened about a 1/2 turn to the point when it can barely move in its slot.

b) Bolt B should be loosened only about a 1/8th turn so that it is still snug yet under-tensioned.

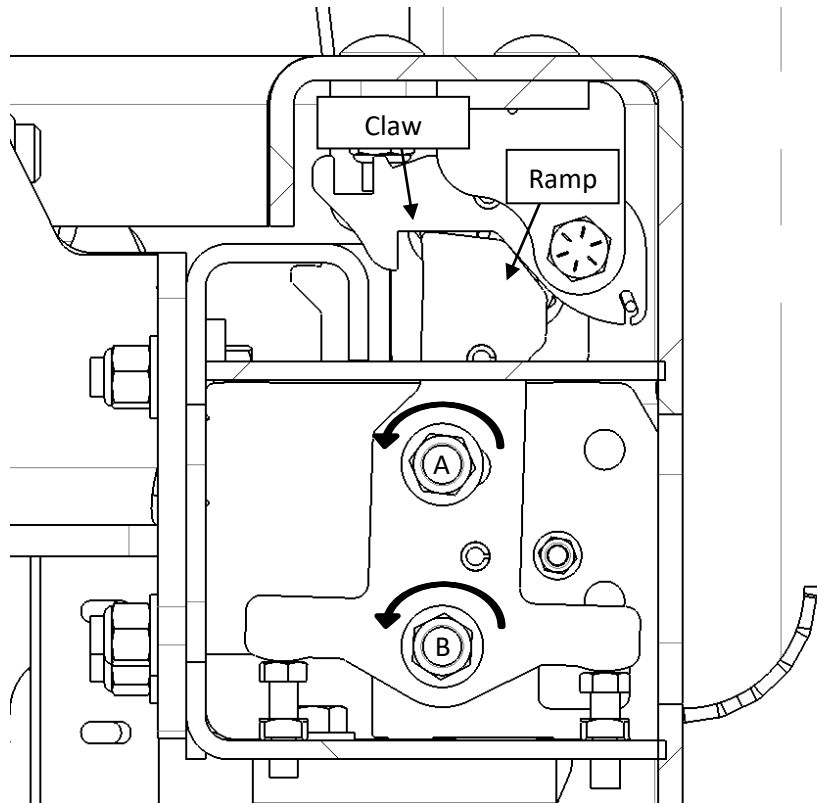


Figure 3 – Slam Latch adjustment; loosening of fastening bolts (driver side shown).

Installation Procedure

4. a) Lower Bolt C so that it disengages the Slam Latch Ramp.

b) Raise Bolt D **slightly** so that it forces the Slam Latch Ramp to rotate about Bolt B counter-clockwise.

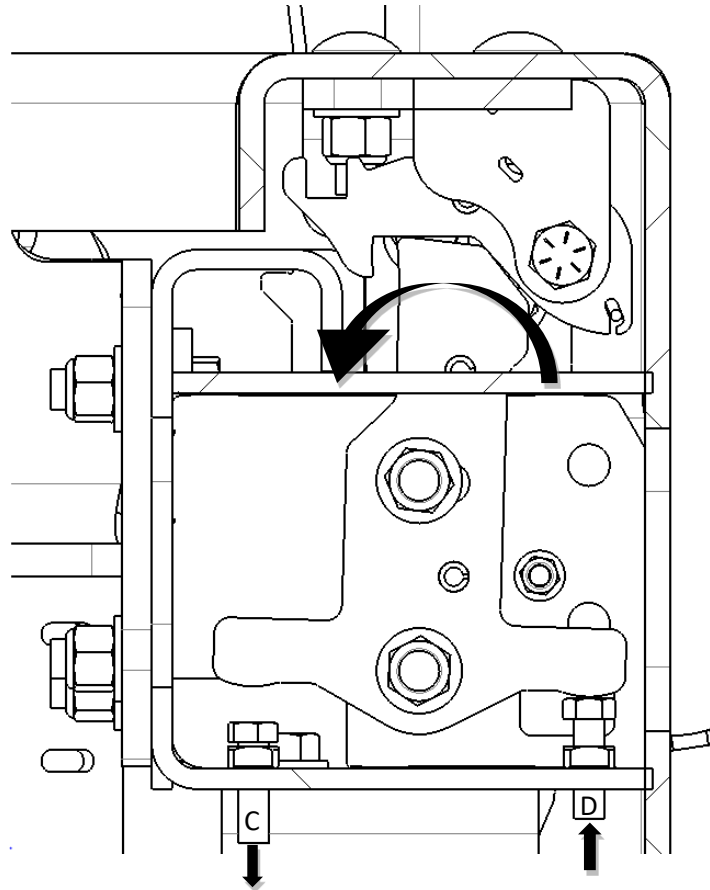


Figure 4 – Slam Latch adjustment of adjusting bolts (passenger side shown).

5. Raise Bolt C so that it reengages the Slam Latch Ramp and prevents over adjustment

The Bumper can now be open and closed to check fitment. The bumper should now close tighter than before.

If the Bumper Closes, but not tight enough, repeat steps 3 through 5 in order to get a tighter fit.

If the latch does not close, proceed to step 6.

If the Bumper Closes with desired firmness, proceed to step 7.

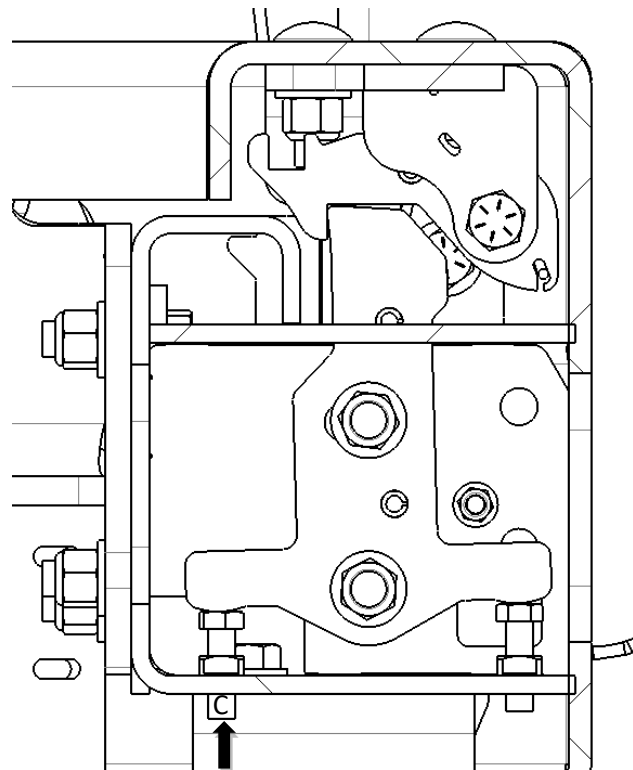


Figure 5 – Slam Latch perfectly adjusted position (passenger side shown).

6. If Bolts A and B were loosened too much in step 3, Bolt C wasn't reengaged to the Ramp, or Bolt D was raised too much; it is possible for the ramp to fall into an over adjusted position.

In this case, the Slam Latch will not be able to engage.

If this happens, lower Bolt D, open the bumper and pull the ramp back away from the over adjusted position.

Restart process from step 1

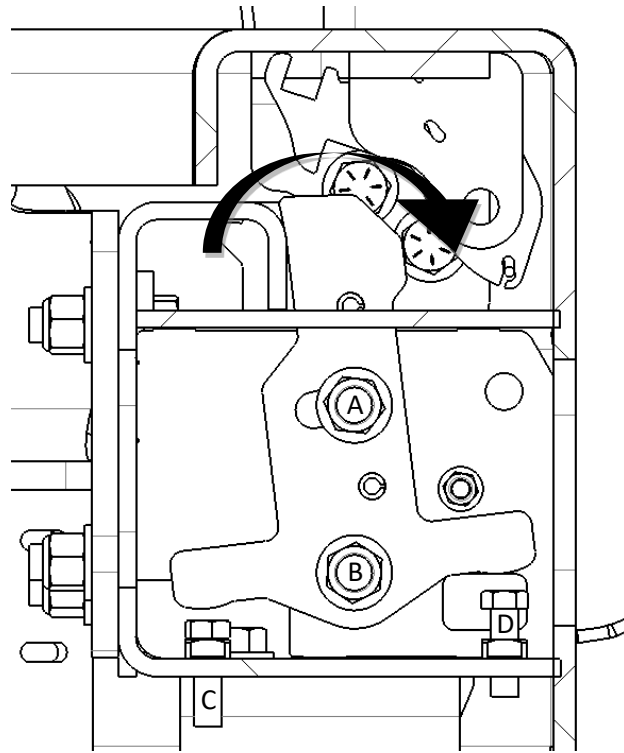


Figure 6 – Slam Latch over adjustment position (passenger side shown).

7. Tighten Bolt A and Bolt B to 110 ft lbs, locking the ramp into the adjusted position. The adjustment is now complete.

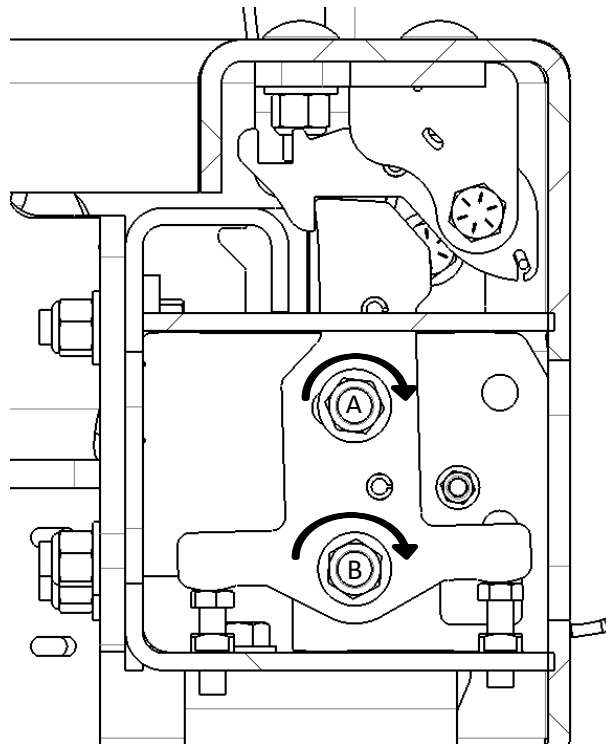


Figure 7 – Tightening of Slam Latch adjustment bolts (passenger side shown).