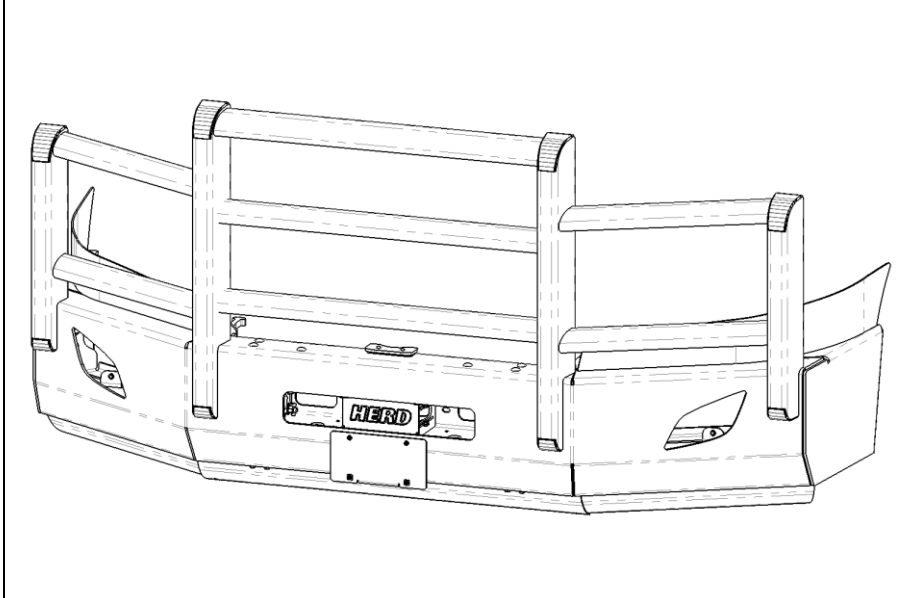


Part #	Product
700101 Radar Cover Kit	All C4-02 AeroPLUS
	

For assistance call  
1-888-543-4373  
[www.HERD.com](http://www.HERD.com)

HERD North America Inc.  
2168 Springfield Road  
Box 28, Group 525, RR5  
Winnipeg, MB. Canada R2C 2Z2

### Important

- Herd Bumpers are vehicle "Make & Model" specific. Use of a bumper on a vehicle other than the model it was designed for will constitute improper use of the product and may void warranty.
- Unless otherwise specified, Grade 8 or Class 10.9 hardware is to be used. For the purposes of these instructions, OEM hardware means the truck's original factory hardware.
- For further detail of warranty coverage and warranty repair information visit [www.HERD.com](http://www.HERD.com).

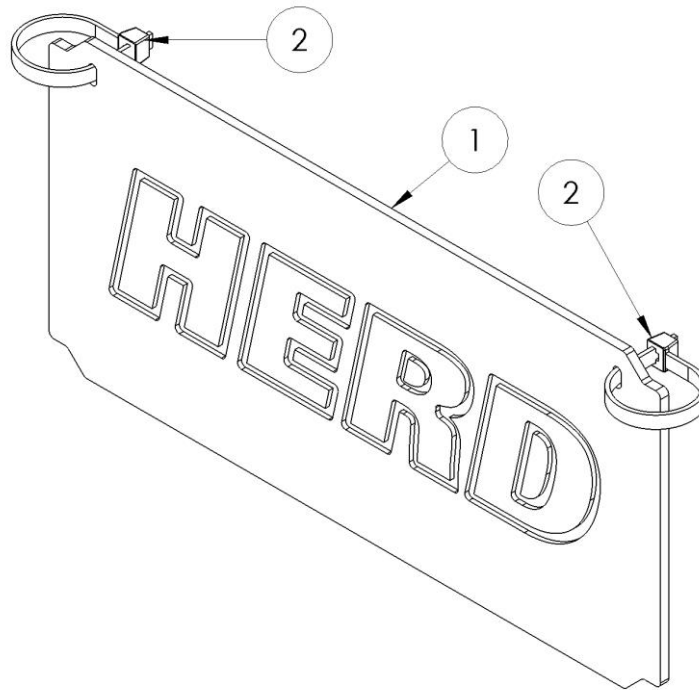
### General Safety

- Take time to fully read the instructions before installing the Slam Latch mechanism.
- At all times exercise safe work shop practices, wear steel toe boots and safety glasses during installation.
- Parts and components of the Herd bumper can be heavy, handle with care to avoid injuries.
- Respect power tools and use them as advertized.

HERD North America  
Inc.  
2168 Springfield Road  
Box 28, Group 525, RR5

## Installation Procedure

---



### Parts and hardware included

Item No	Part No	Description	Qty
1	400039	PL-RADAR SENSOR COVER	1
2	500309	TIE WRAP – Small (Qty 2 required and 2 extra)	4

## Installation Procedure

1. Open the bumper, tilt and insert the radar cover into the gap in front of the bracket as shown in the Figure 1.

**NOTE:** Make sure the HERD symbol on the cover faces forward and slots are at the top.

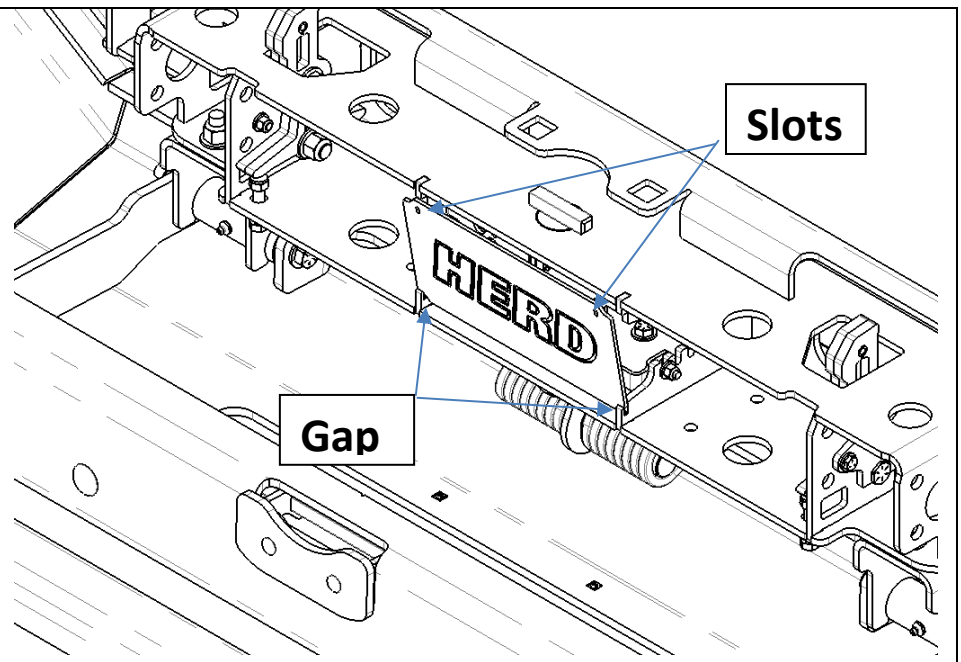


Figure 1 – Insert the Radar Cover

2. Use the tie wraps to secure the cover in place as shown in the Figure 2.

**NOTE:** Ensure that the clasps of the tie wraps are not visible from the front.

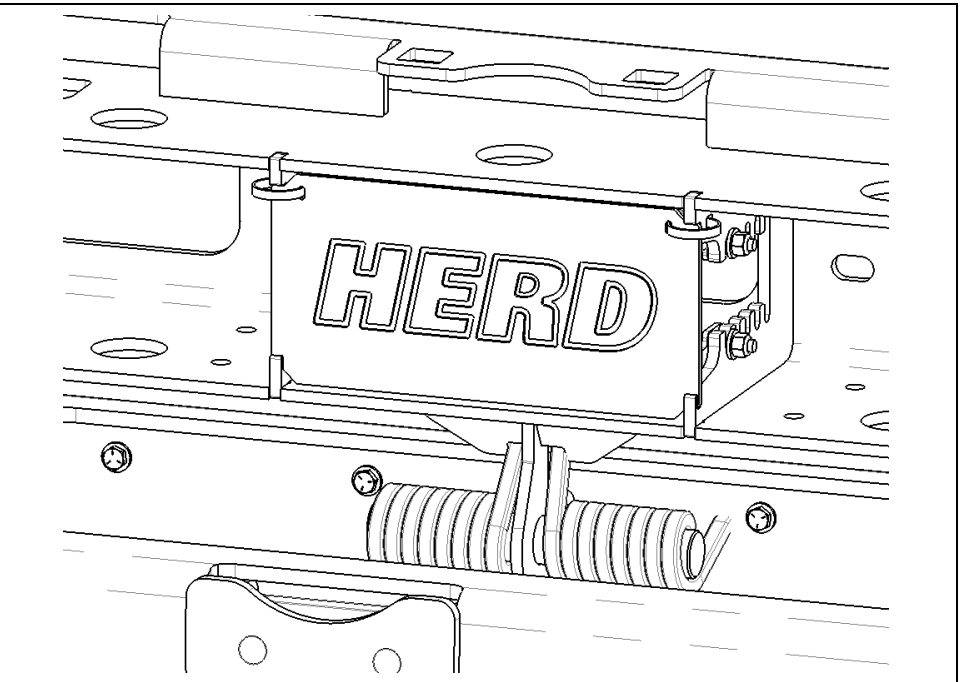


Figure 2 – Tie the Radar Cover