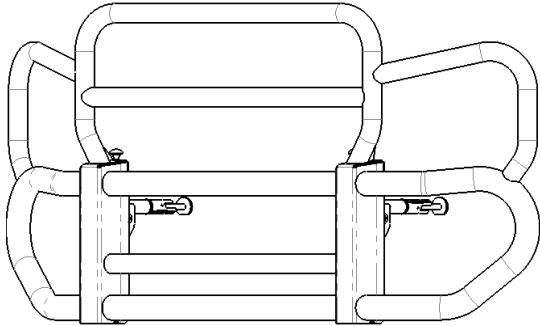
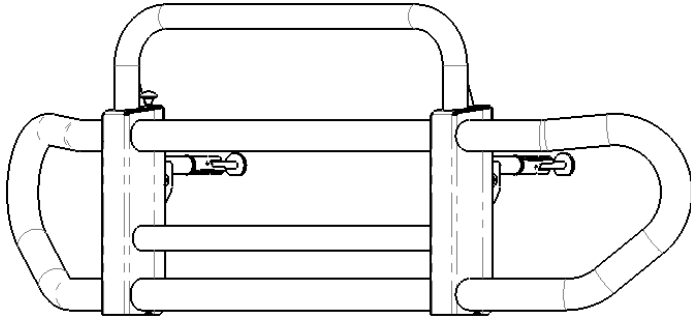


For assistance call
1-888-543-4373
www.HERD.com

HERD North America Inc.
2168 Springfield Road
Sunnyside, MB Canada R5R 0J3

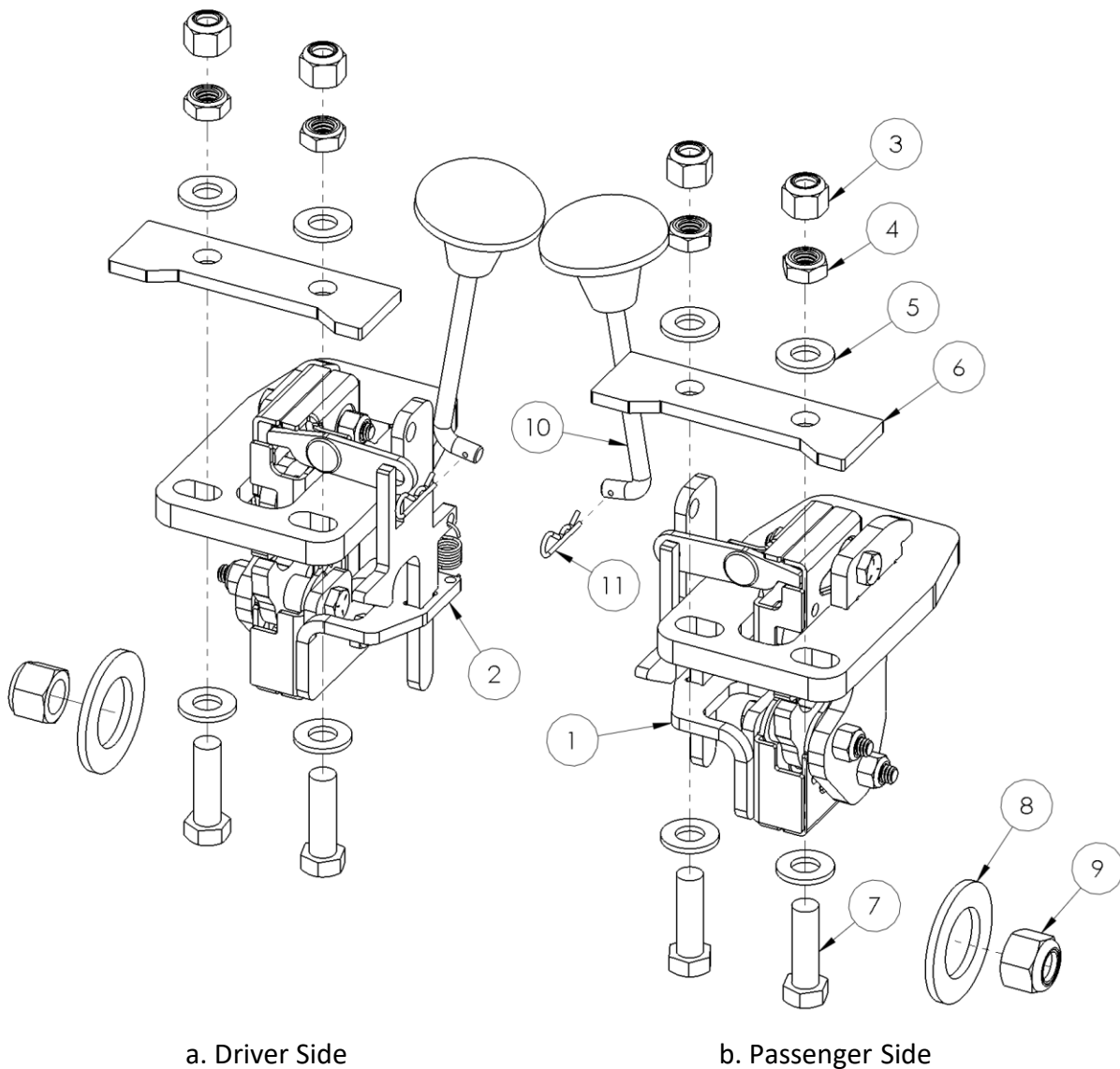
Part #	Product
404006 703008	All Grill Guards G2/G3
 GG-300 Series	
 GG-200 Series	

Important

- Herd Bumpers are vehicle "Make & Model" specific. Use of a bumper on a vehicle other than the model it was designed for will constitute improper use of the product and may void warranty.
- Unless otherwise specified, Grade 8 or Class 10.9 hardware is to be used. For the purposes of these instructions, OEM hardware means the truck's original factory hardware.
- For further detail of warranty coverage and warranty repair information visit www.HERD.com.

General Safety

- Take time to fully read the instructions before installing the Slam Latch mechanism.
- At all times exercise safe work shop practices, wear steel toe boots and safety glasses during installation.
- Parts and components of the Herd bumper can be heavy, handle with care to avoid injuries.
- Respect power tools and use them as advertized.



a. Driver Side b. Passenger Side

Figure 1 - Parts and hardware included for Short Latch kit 703008.

ITEM	QTY.	DESCRIPTION
1	1	ASSY - LATCH PS
2	1	ASSY - LATCH DS
3	4	NUT-NYLOCK 3/8-16 NC GR8 YZP
4	4	NUT-NYLOCK 3/8-16 NC GR8 YZP LOW HT
5	8	WASHER-FLAT 3/8 SAE GR8 YZP
6	2	PL - GRILL GUARD SHORT LATCH
7	4	BOLT-HEX 3/8-16X1-1/4 NC GR8 YZP
8	2	WASHER AERO SPRING
9	2	NUT-NYLOCK 1/2-13 NC GR8 YZP
10	2	BAR LATCH ACTUATOR
11	2	PIN-HAIRPIN 1/16x1-1/8

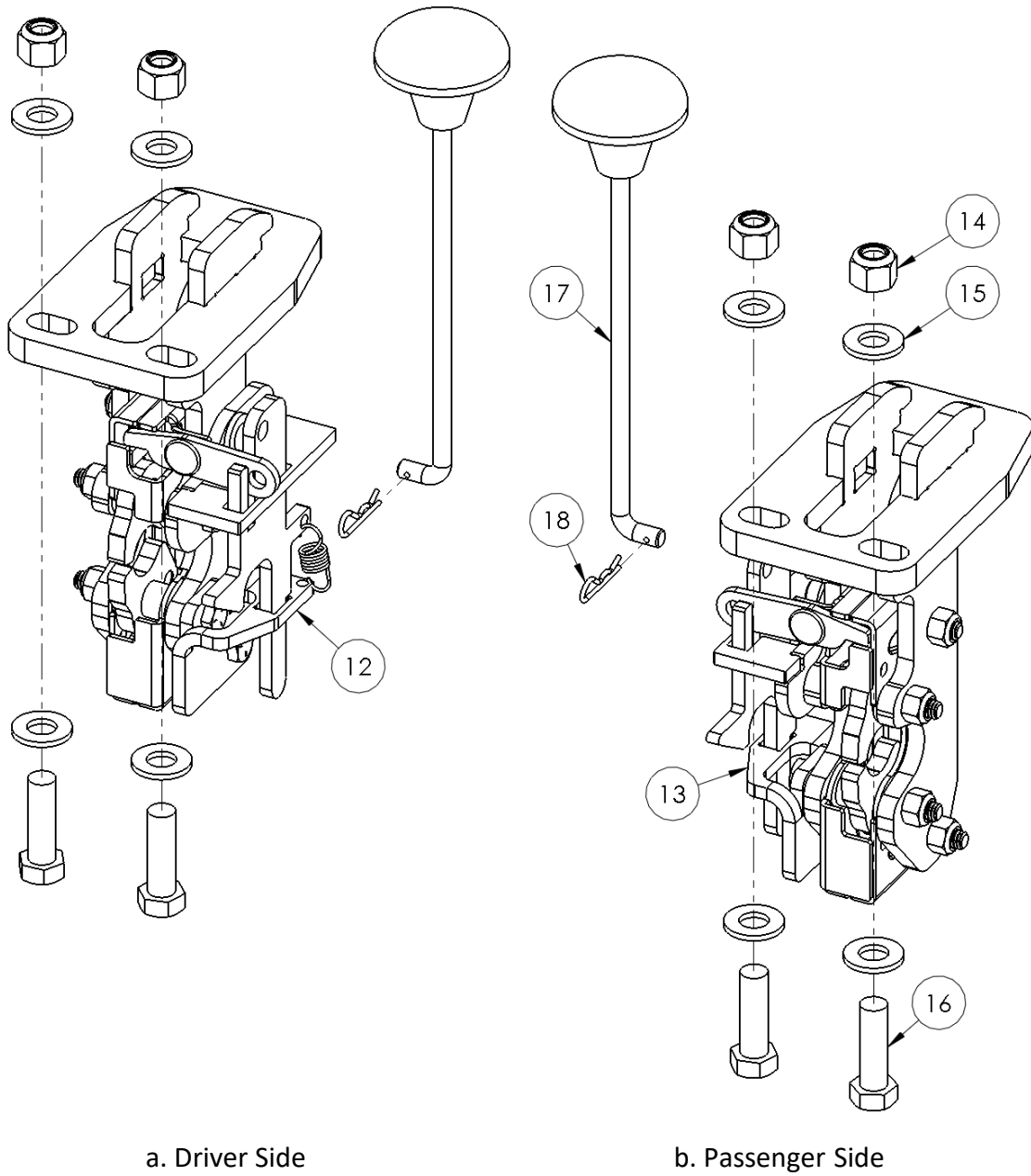


Figure 2 - Parts and hardware included for Tall Latch kit 404006.

ITEM	QTY.	DESCRIPTION
12	1	ASSY - LATCH TALL DS
13	1	ASSY - LATCH TALL PS
14	4	NUT-NYLOCK 3/8-16 NC GR8 YZP
15	8	WASHER-FLAT 3/8 SAE GR8 YZP
16	4	BOLT-HEX 3/8-16X1-1/4 NC GR8 YZP
17	2	BAR LATCH ACTUATOR LONG
18	2	PIN-HAIRPIN 1/16x1-1/8

Installation Procedure

1. Open the grill guard.

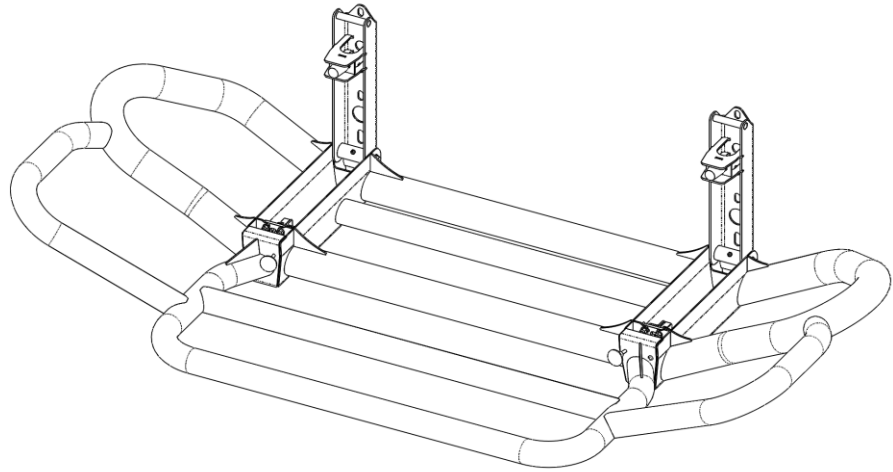
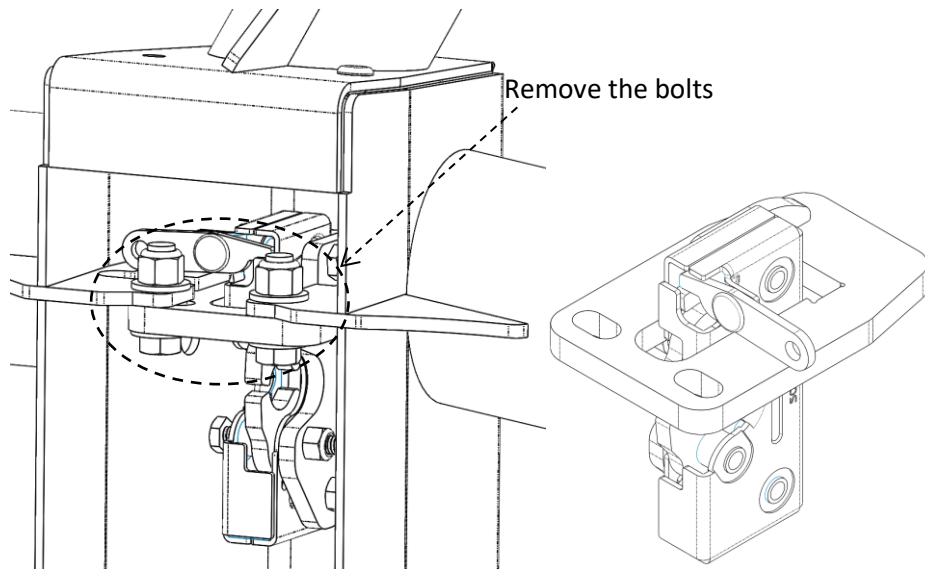


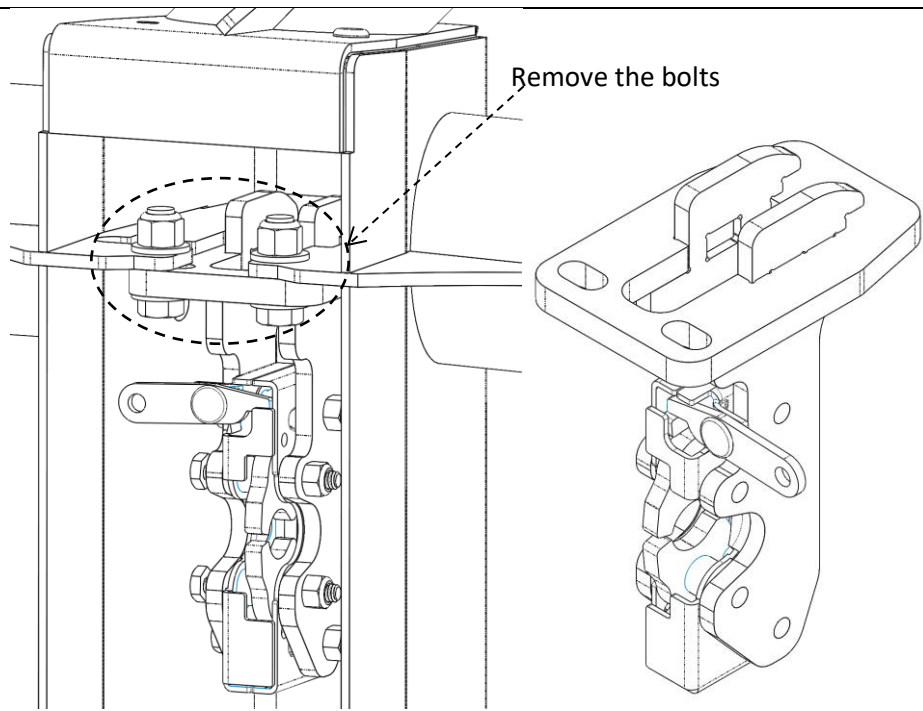
Figure 3 - Open the grill guard

2. Remove the original latch and identify the type: Short Latch or Tall Latch. Refer to figures 4a and 4b.



a. Short Latch installed

Short Latch

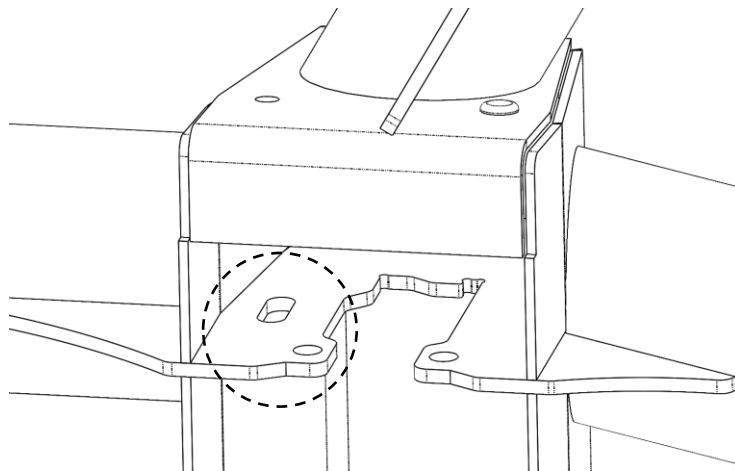


b. Tall Latch installed

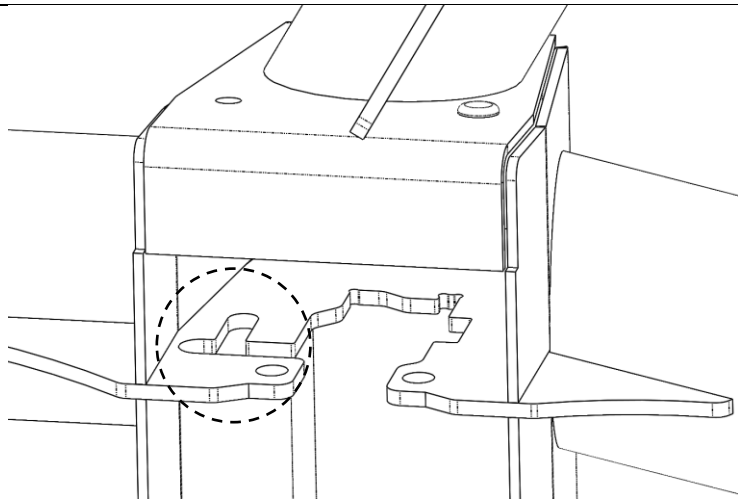
Tall Latch

Figure 4 - Type of latch

3. Identify the type of gusset (Type A or Type B) according to the cutout. Refer to figures 5a and 5b.



a. Type A



b. Type B

Figure 5 - Gusset type

4. Modifying the gusset

If you have a **Type A** gusset with a **Short Latch**: Cut through the gusset along the slot, as shown in figure 6.

If you have a **Type A** gusset with a **Tall Latch**: No modification required.

If you have a **Type B** gusset with a **Tall or Short Latch**: No modification required.

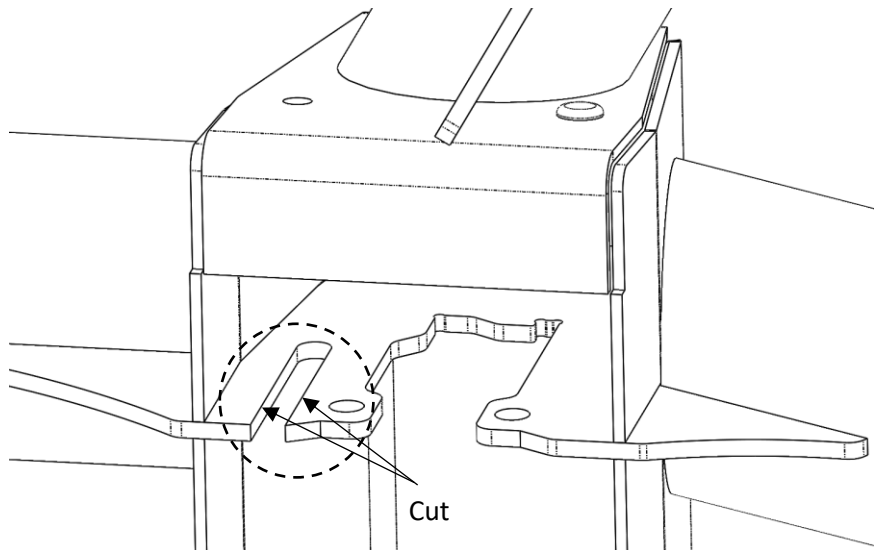


Figure 6 - Cut through the gusset for Type A Short Latch

Installation of the new latch

5. If you have a **Type A** gusset with a **Short Latch** shown in figures 1 and 7 (Passenger Side shown):
- Assemble the new latch (items 1 and 2) to the grill guard by sliding the latch through the cutout.
 - Place the plate (item 6) on top of the gusset.
 - Secure the fasteners (items 5, 7) using low height nuts (item 4).
 - Connect the knob (item 10) to the latch using the hairpin (item 11)

Note:

- Skip to step 6 for Type B Short Latch
- Skip to step 7 for Type A or B Tall Latch

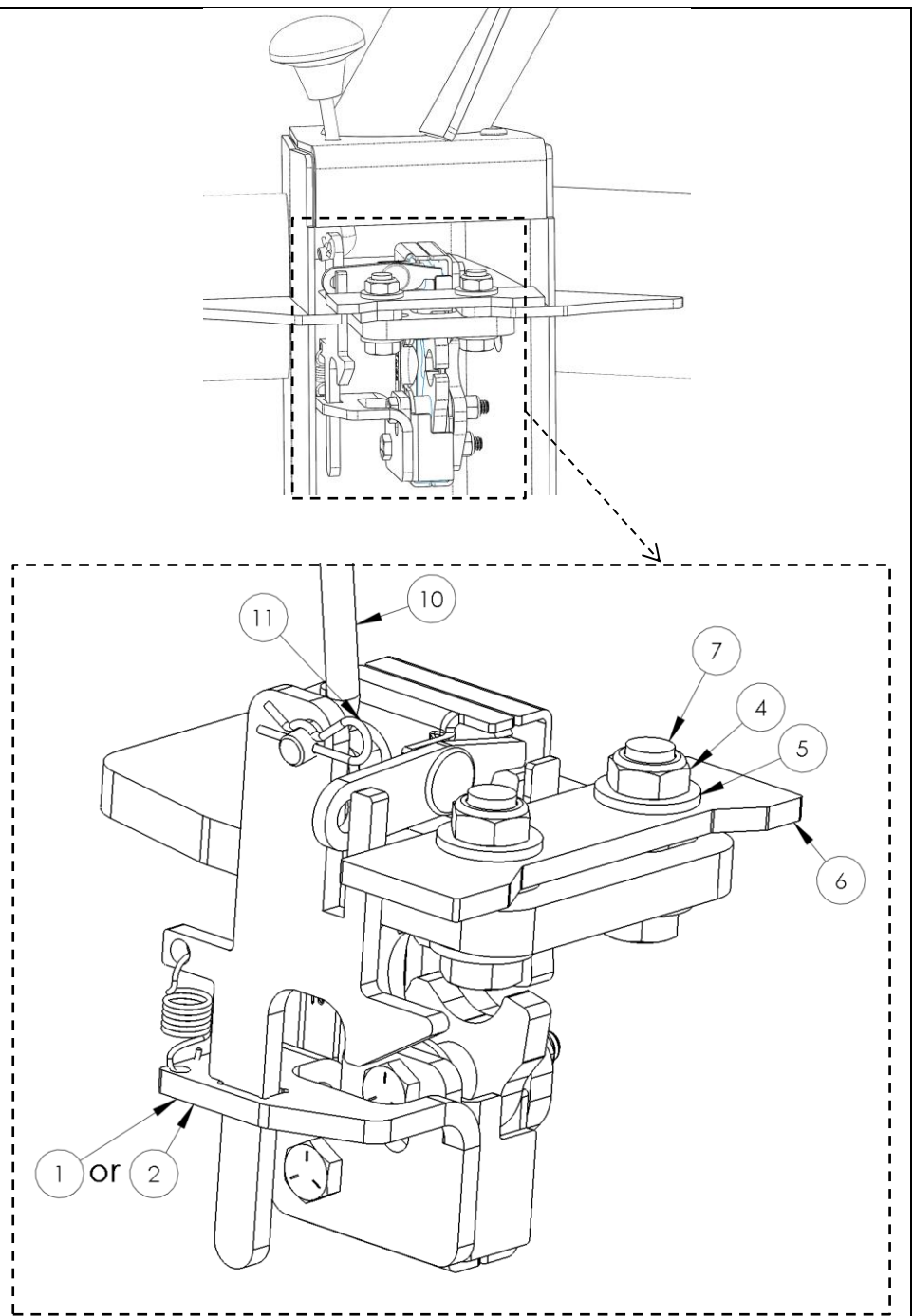


Figure 7 – Assemble the Type A Short Latch

Installation of the new latch

6. If you have a **Type B** gusset with a **Short Latch** shown in figures 1 and 8 (Passenger Side shown):
- Assemble the new latch (items 1 and 2) to the grill guard by sliding the latch through the cutout.
 - Secure the fasteners (items 5, 7) using standard nuts (item 3).
 - Connect the knob (item 10) to the latch using the hairpin (item 11).

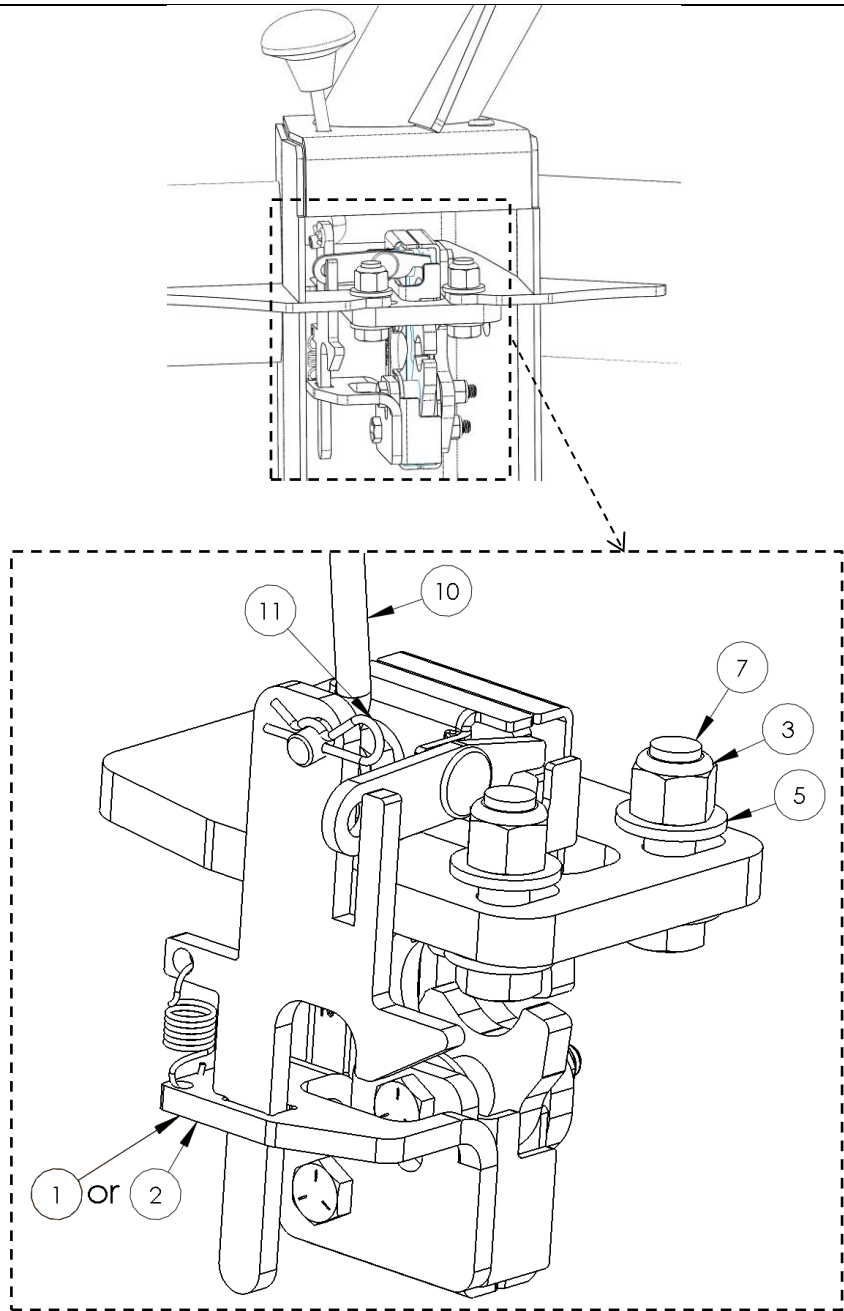


Figure 8 – Assemble the Type B Short Latch

Installation of the new latch

7. If you have a **Type A or B** gusset with a **Tall Latch** shown in figures 2 and 9 (Passenger Side shown):

- Assemble the new latch (items 12 and 13) to the grill guard by sliding the latch through the cutout.
- Secure the fasteners (items 15, 16) using standard nuts (item 14).
- Connect the knob (item 17) to the latch using the hairpin (item 18).

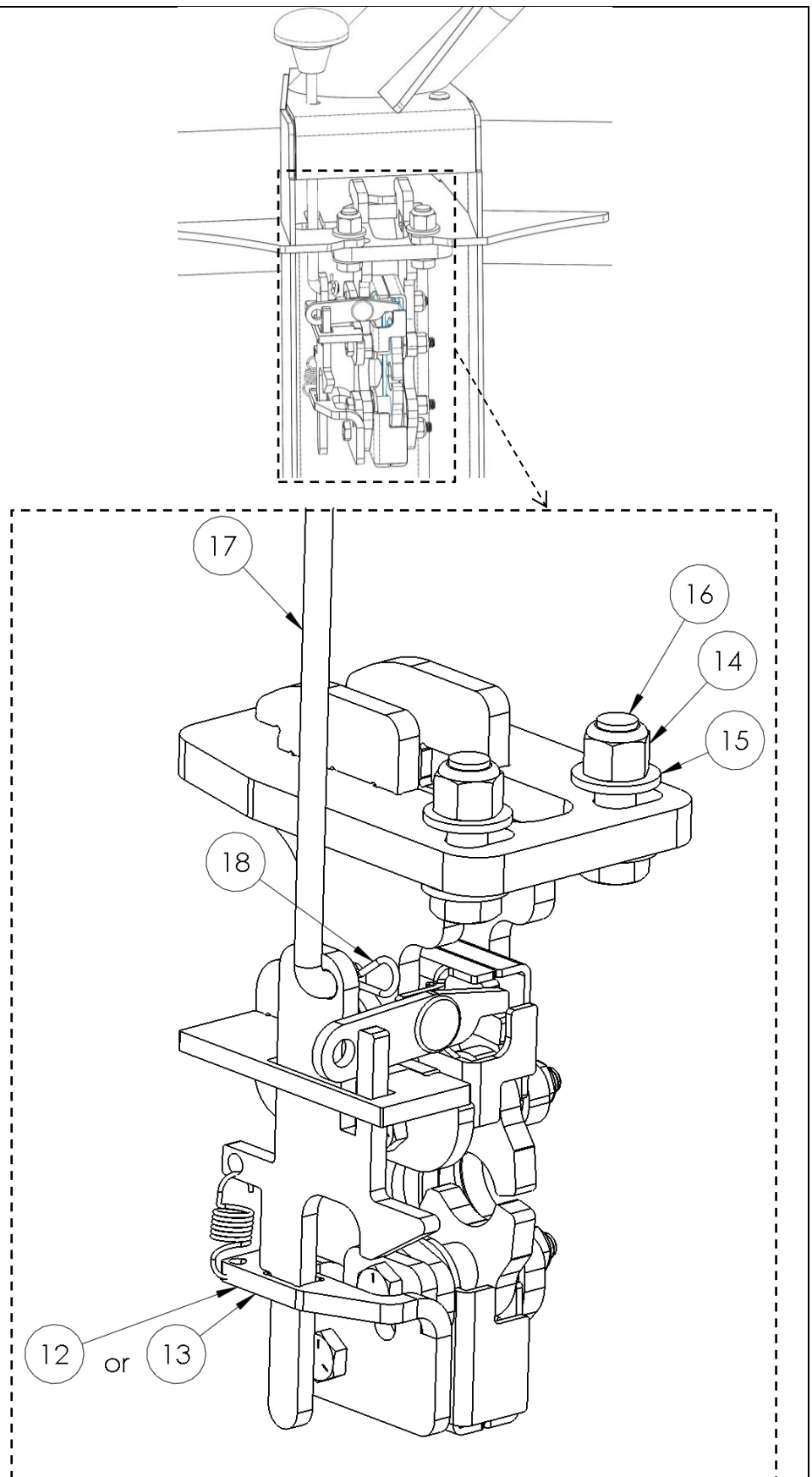


Figure 9 – Assemble the Type A or B Tall Latch

Installation Procedure

- For all **Short Latches** only. Remove the hinge bolts and insert the washer (item 8) as shown in the figures 1 and 10 using the provided nut (item 9).

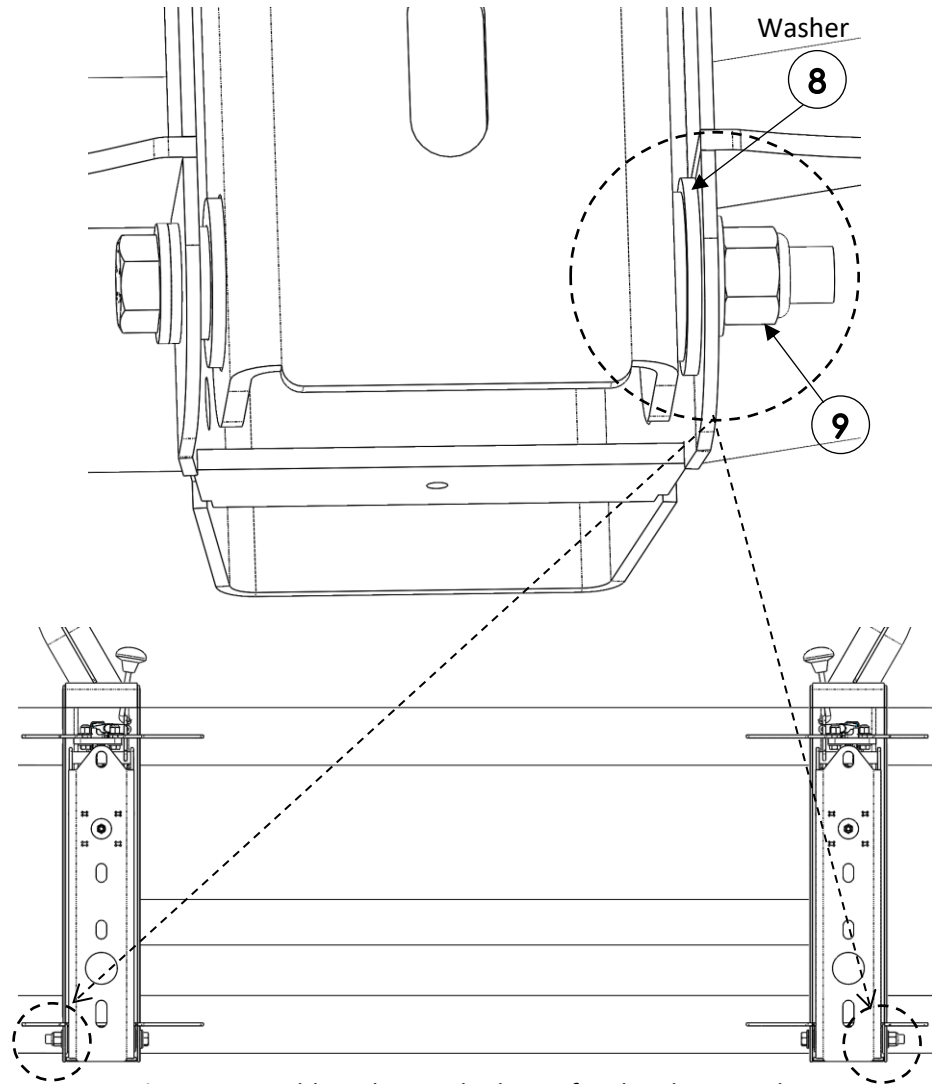


Figure 10 – Add washer to the hinge for the Short Latches