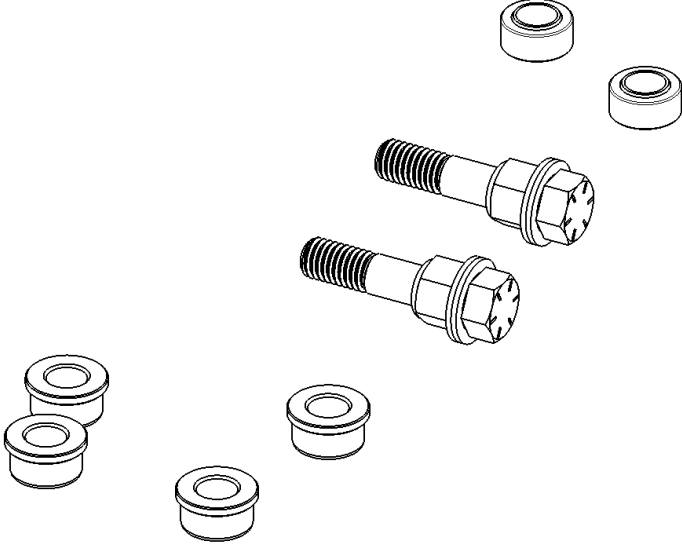


This Guide is Applicable to the Following Truck Guard Models
Aero
Defender
Texas
Big Texas
Road Train
Super Road Train

For assistance call  
1-888-543-4373  
[www.HERD.com](http://www.HERD.com)

HERD North America Inc.  
2168 Springfield Road  
Sunnyside, MB Canada R5R 0J3

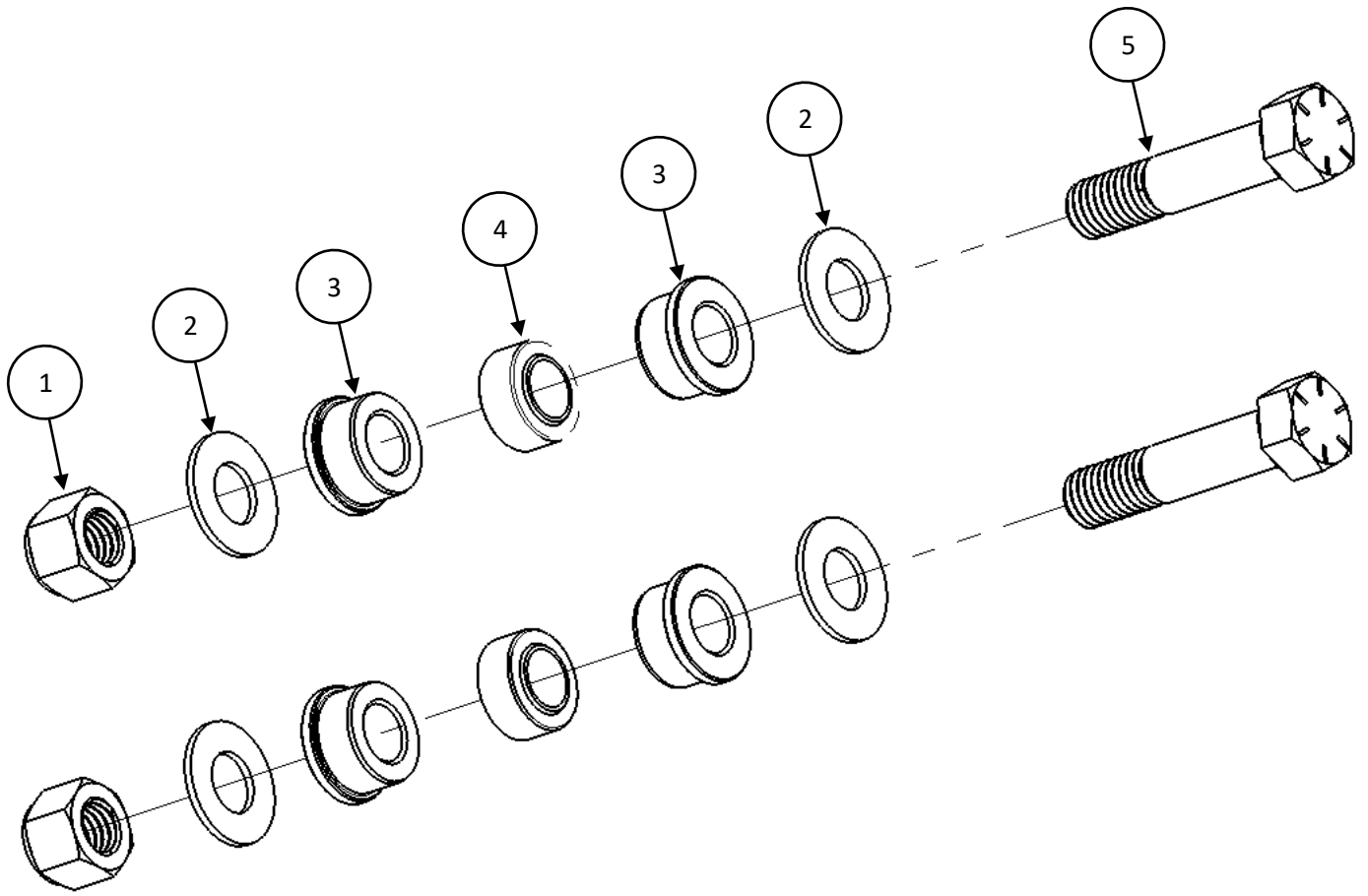
Part #	Product
1HNA022	All Slam Latch Equipped Legacy Truck Guards
 <b>1HNA022</b>	

### Important

- Herd Truck Guards are vehicle "Make & Model" specific. Use of a truck guard on a vehicle other than the model it was designed for will constitute improper use of the product and may void warranty.
- Unless otherwise specified, Grade 8 or Class 10.9 hardware is to be used. For the purposes of these instructions, OEM hardware means the truck's original factory hardware.
- For further detail of warranty coverage and warranty repair information visit [www.HERD.com](http://www.HERD.com).

### General Safety

- Take time to fully read the instructions before installing the Slam Latch mechanism.
- At all times exercise safe work shop practices, wear steel toe boots and safety glasses during installation.
- Parts and components of the Herd Truck Guard can be heavy, handle with care to avoid injuries.
- Respect power tools and use them as advertised.



**Figure 1** - Parts and Hardware Included for Legacy Slam Latch Hinge kit - 1HNA022

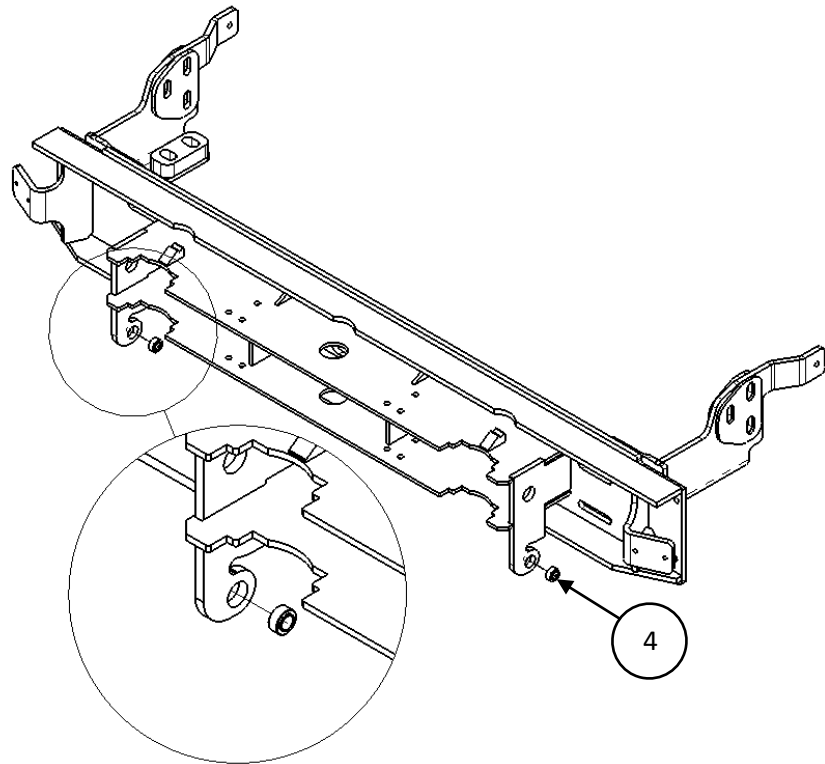
ITEM	QTY.	Part No.	Description
1	2	NUT-HEX-.5NC-GR8-NYLOCK	.5-13 UNC NYLON HEX LOCKNUT
2	4	WASHER-FLAT-.5-GR8	FLAT WASHER, 1/2 SCREW, GRADE 8
3	4	1-HN-SB2	BUSHING, SLAM LATCH ALUMINUM HINGE
4	2	GEZ 008 ES	1/2" BEARING
5	2	BOLT-SL HINGE	BOLT, SLAM LATCH HINGE

## Installation Procedure

1. Insert the provided bearings (Item 4) into the hinges of the Legacy Bracket. Do this for both passenger and driver sides.

**Note:**

If truck guard is equipped with lift assist, the springs must be removed. Refer to instructions S004 (Defender truck guards) or S005 (Aero/Texas truck guards) for proper lift assist disassembly procedure.

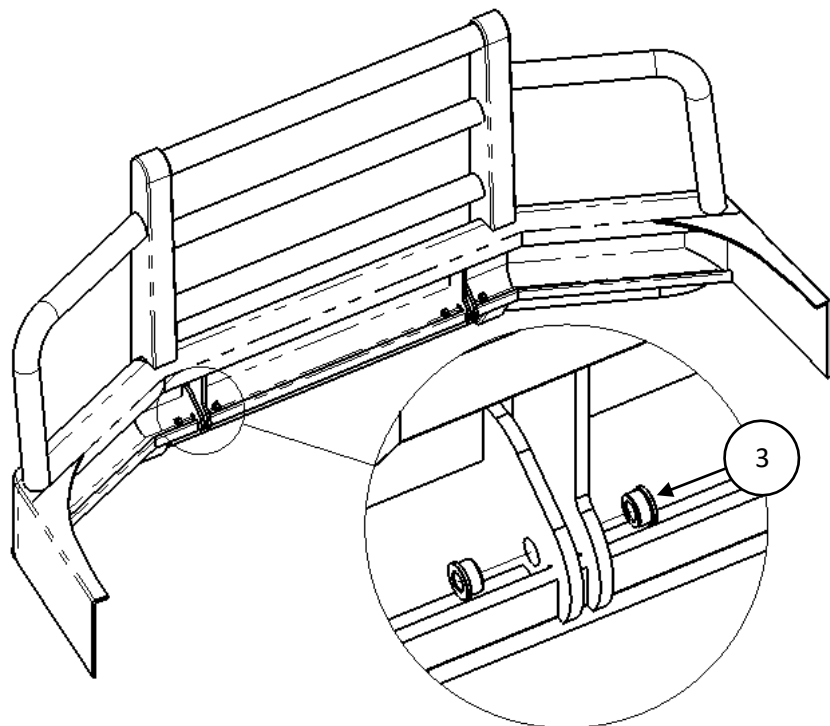


**Figure 2 – Insert the Provided Bearings**

2. Insert the provided bushings (Item 3) into the hinges of the Legacy Truck Guard. Do this for both passenger and driver sides.

**Note:**

The Flanged side of the bushings should be on the outside of both the passenger and driver side hinges as shown in Figure 3.



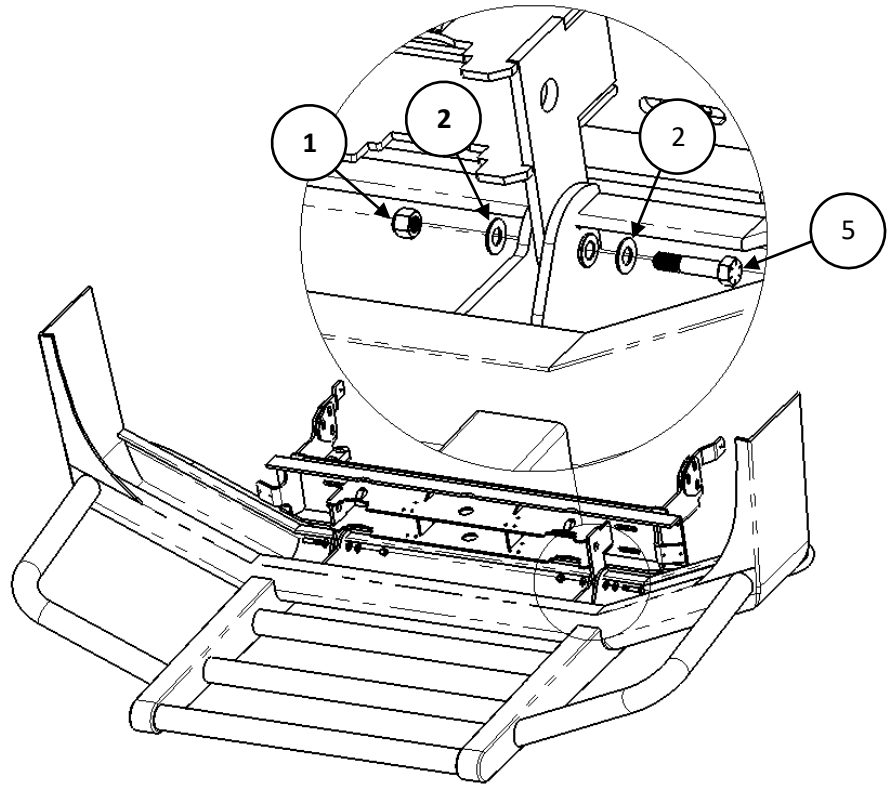
**Figure 3 – Insert the Provided Bushings**

## Installation Procedure

3. Fasten the hinge bolts as shown in Figure 4 using the provided hardware (parts 1, 2, 5). Do this for both passenger and driver sides.

**Note:**

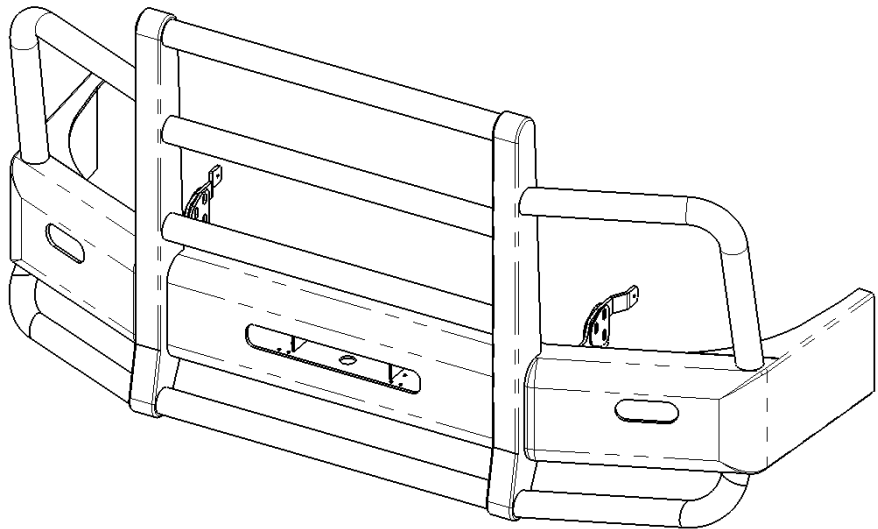
**For DFLT & Defender models only: To install the hinge bolts, the truck guard must be in the open (down) position to allow the bottom lip to go under and around the steel hinge.**



**Figure 4 – Fasten the Hinge Bolts**

4. Close the Truck Guard and make sure the slam latch still engages firmly.

It is possible that the slam latch may need adjustment after the Installation of the 1HNA022 Legacy Slam Latch Hinge Kit.



**Figure 5 – Truck Guard in Closed Position**