

SKU #	Truck Model
VV02C4-02	VNL (2004-2018) 300, 430, 630, 670, 730 & 780 - SBA

Thank you for choosing HERD!

For assistance call
1-888-543-4373
www.HERD.com

Important

- Herd Bumpers are vehicle "Make & Model" specific. Use of a bumper on a vehicle other than the model it was designed for will constitute improper use of the product and may void warranty.
- Unless otherwise specified, Grade 8 or Class 10.9 hardware is to be used. For the purposes of these instructions, OE hardware means the truck's original factory hardware.
- For further detail of warranty coverage and warranty repair information visit www.HERD.com.

General Safety

- Take time to fully read the instructions before installing the Herd bumper.
- At all times exercise safe work shop practices, wear steel toe boots and safety glasses during installation.
- Parts and components of the Herd bumper can be heavy, handle with care to avoid injuries.
- Respect power tools and use them as advertised.

HERD North
America Inc.
2168 Springfield

Installation Procedure

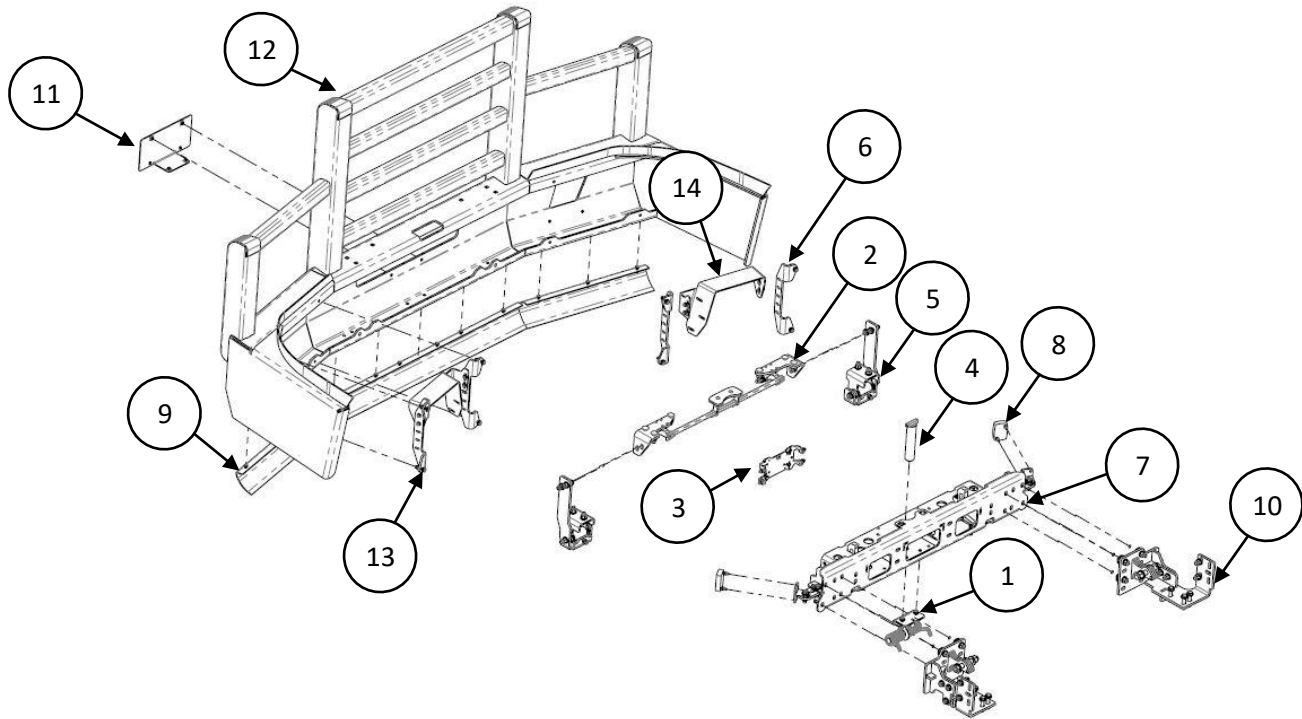


Figure A – VV02C4-02 Bill of Materials

Parts and Hardware Included

Item No.	Part No	Description	Qty
1	100021	ASSY-LIFT ASSIST	1
2	100027	C4 SLAM LATCH ASSEMBLY	1
3	100046	KIT-CAS BRACKET	1
4	100049	WLDMT-TOW PIN	1
5	100054	ASSY-HINGE	1
6	100058	KIT-CHANNEL STRUT	4
7	100062	ASSY-UNIVERSAL BRACKET	1
8	400014	KIT-RUMBER 20 MM	2
9	400033	KIT-AIR DEFLECTOR VV02	1
10	1V5038	KIT-MOUNTING VV02 VV05	1
11	2F0025	BRKT-LICENSE PLATE KIT	1
12	2V0058	WLDMT-BUMPER VV02	1
13	2V0070	KIT-OEM LIGHT BRACKET VV02 DS	1
14	2V0072	KIT-OEM LIGHT BRACKET VV02 PS	1
*15	500095	BOLT-HEX 1/4-20X1 NC GR5 WZP	12
*16	500208	WASHER-FLAT 1/4 SAE GR8 YZP	24
*17	500169	NUT-NYLOCK 1/4-20 NC GR8 YZP	12
*18	500085	BOLT-HEX 1/2-13X1-3/4 NC GR8 YZP	18
*19	500206	WASHER-FLAT 1/2 SAE GR8 YZP	40
*20	500167	NUT-NYLOCK 1/2-13 NC GR8 YZP	18
*21	500263	WASHER-FLAT 1/2X1-1/2OD 1/4THICK	12
*22	500106	BOLT-HEX 3/4-10X4-1/2 NC GR8 YZP	2
*23	500172	NUT-NYLOCK 3/4-10 NC GR8 YZP	2
*24	500211	WASHER-FLAT 3/4 SAE GR8 YZP	4
*25	500238	NUT-NYLON NO 14 LICENSE PLATE	6
*26	500250	SCREW-HEX SLOT FLANGE 14X1/2 18-8SS TYPE A	6
*27	500141	BOLT-HEX M12X1.75X60 CL10.9 YZP	6
*28	500289	NUT-NYLOCK M12X1.75 CL10.9 WZP	6
*29	500310	BOLT-HEX 7/16-14X1-3/4 NC GR8 YZP	4
*30	500311	WASHER-FLAT 7/16 SAE GR8 YZP	8
*31	500312	NUT-NYLOCK 7/16-14 NC GR8 YZP	4

Items marked with * are not shown in Figure A above.

Part No: VV02C4-02-IG
 Rev: B
 Date: 08-May-19
 ECN: 19-024

Installation Procedure

1. Unplug driving lights (if equipped). Remove the bolts shown and remove factory bumper.

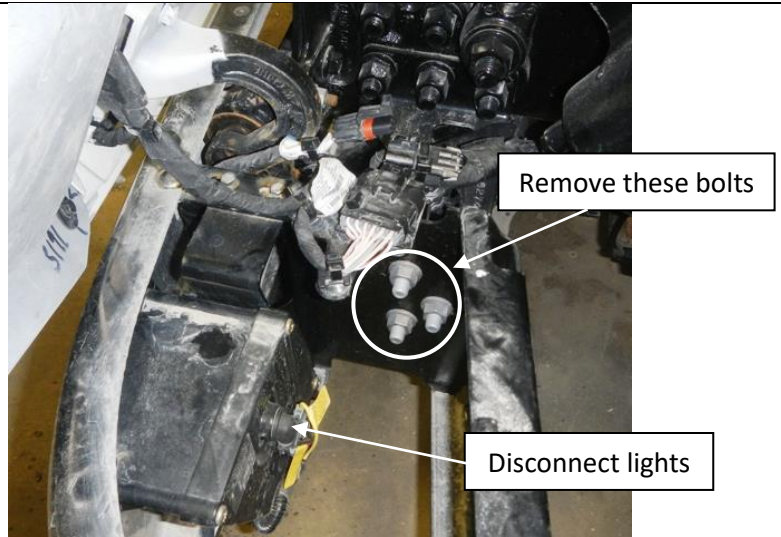


Figure 1 – OEM Driving Light Uninstall (Passenger Side Shown)

2. Disconnect wiring harness from the OEM bumper mounting bracket.

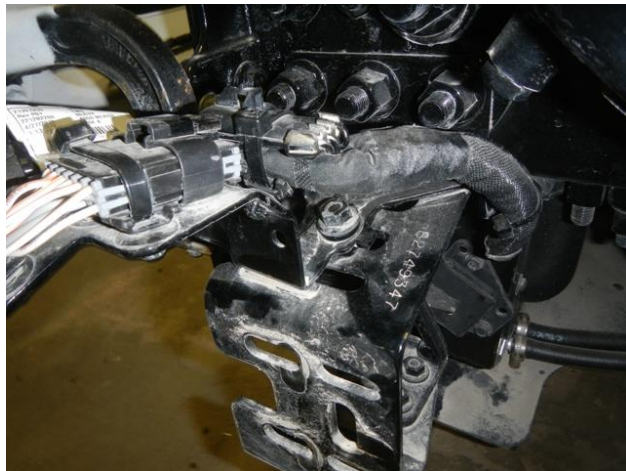


Figure 2 – Wiring Harness Removal (Driver Side Shown)

3. Remove OEM bumper mounting bracket's fasteners. Repeat for passenger side.

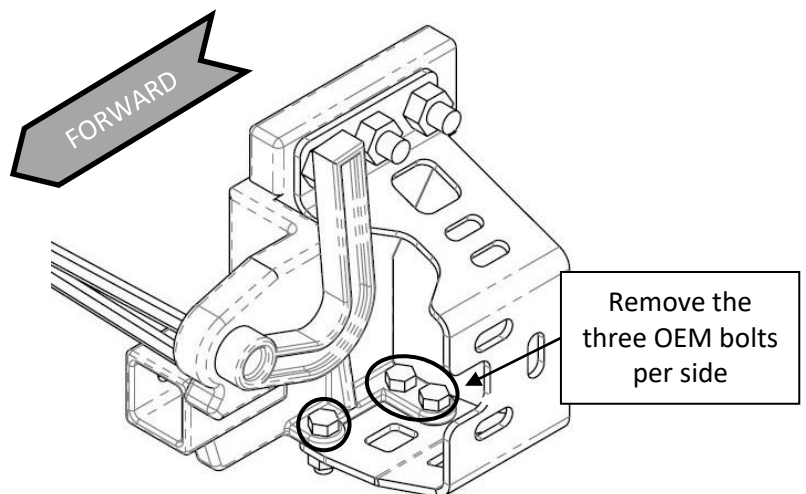


Figure 3 – OEM Bumper Mounting Bracket Fastener Removal (Driver Side Shown)

Installation Procedure

4. Install the rear bracket of Herd Mounting Kit (Item 10) to the truck frame on both driver and passenger sides. Install using the provided hardware (Items 19, 27 & 28) at the bottom. Next insert provided hardware (Items 18, 19 & 20) to the OEM bumper mounting bracket. Install these hardware snug but not tight to allow adjustments.

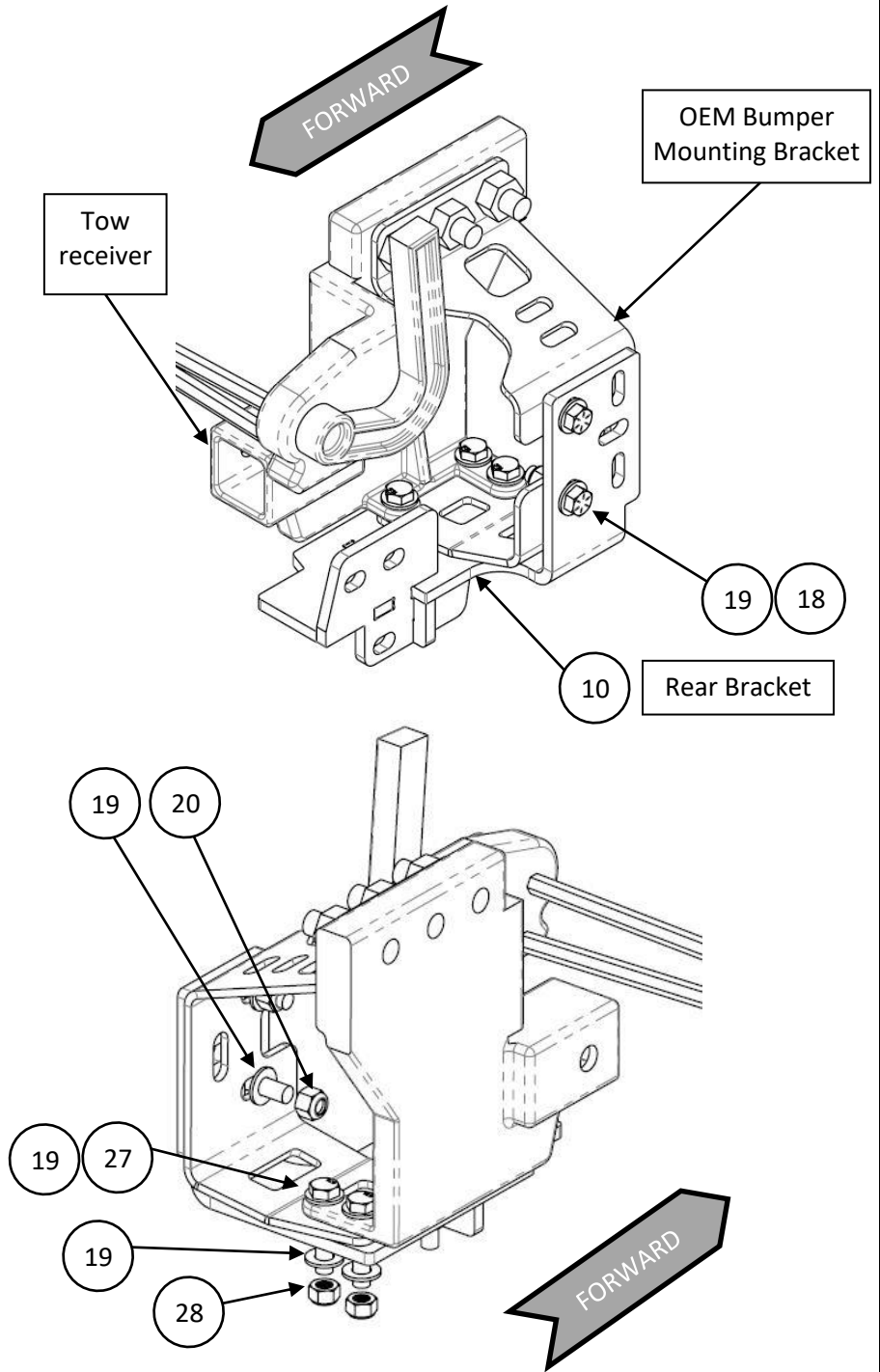


Figure 4 – Herd Side Mounting Bracket Installation (driver side shown)

Installation Procedure

5. Install the front bracket of Herd Mounting Kit (Item 10) using the provided hardware (Items 18, 19, & 20). Next, insert provided hardware (Items 22, 23, & 24) onto tow receivers. Prior to tightening ensure that the front bracket is level and adjust as necessary. Do this on both passenger and driver sides.

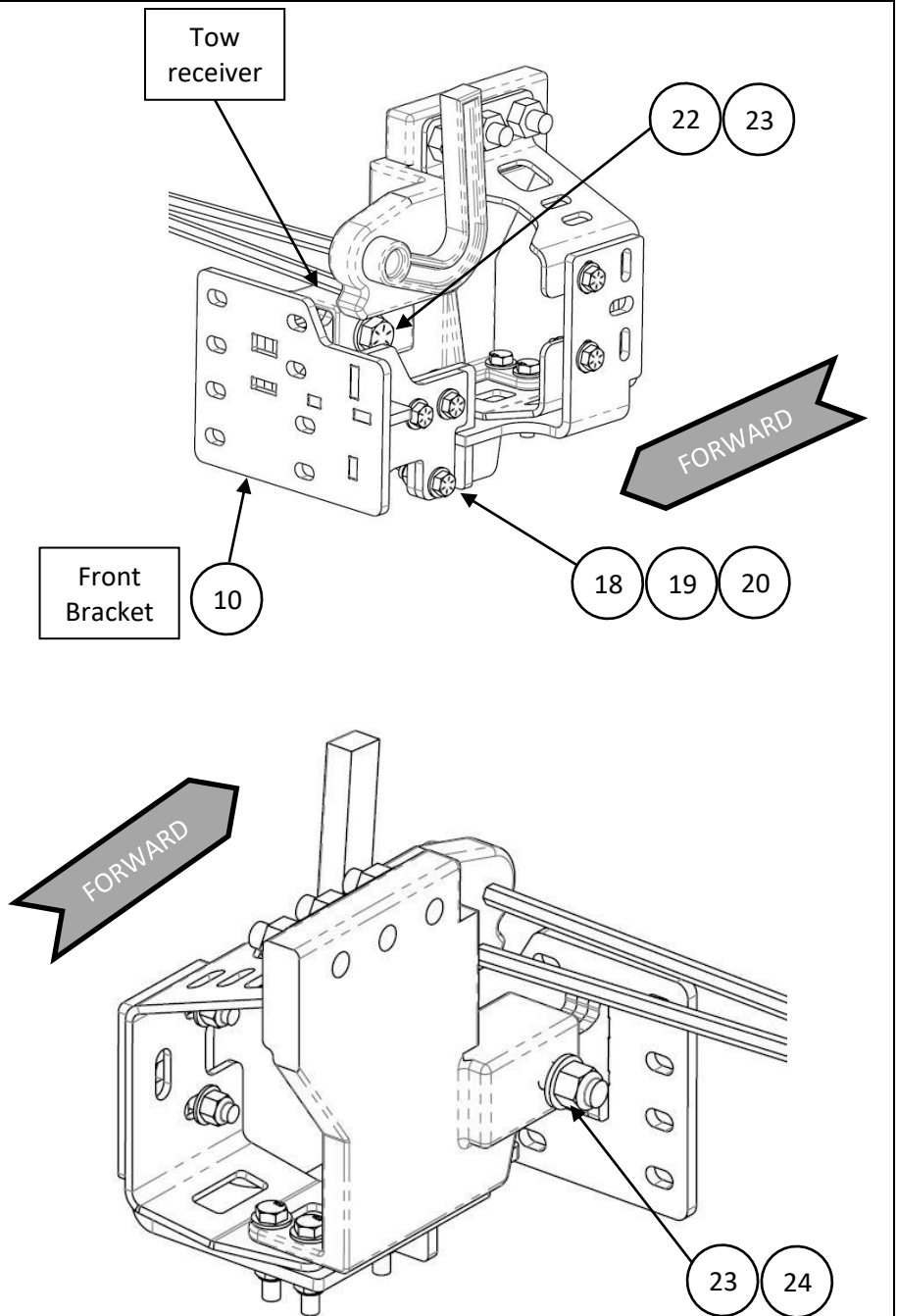


Figure 5 – Herd Submount Installation (Driver Side Shown)

Installation Procedure

6. Open bumper by pulling on the handle. Using a crane, lift the bumper (Item 12) and universal bracket (Item 7) and attach to Herd submounts (Item 10). Make sure to install at the upper set of mounting holes on Herd submounts (Item 10) as shown.

Note:

If installer does not have a crane available, bumper can be disassembled from the universal bracket to simplify installation as shown in step 7, otherwise proceed to step 8.

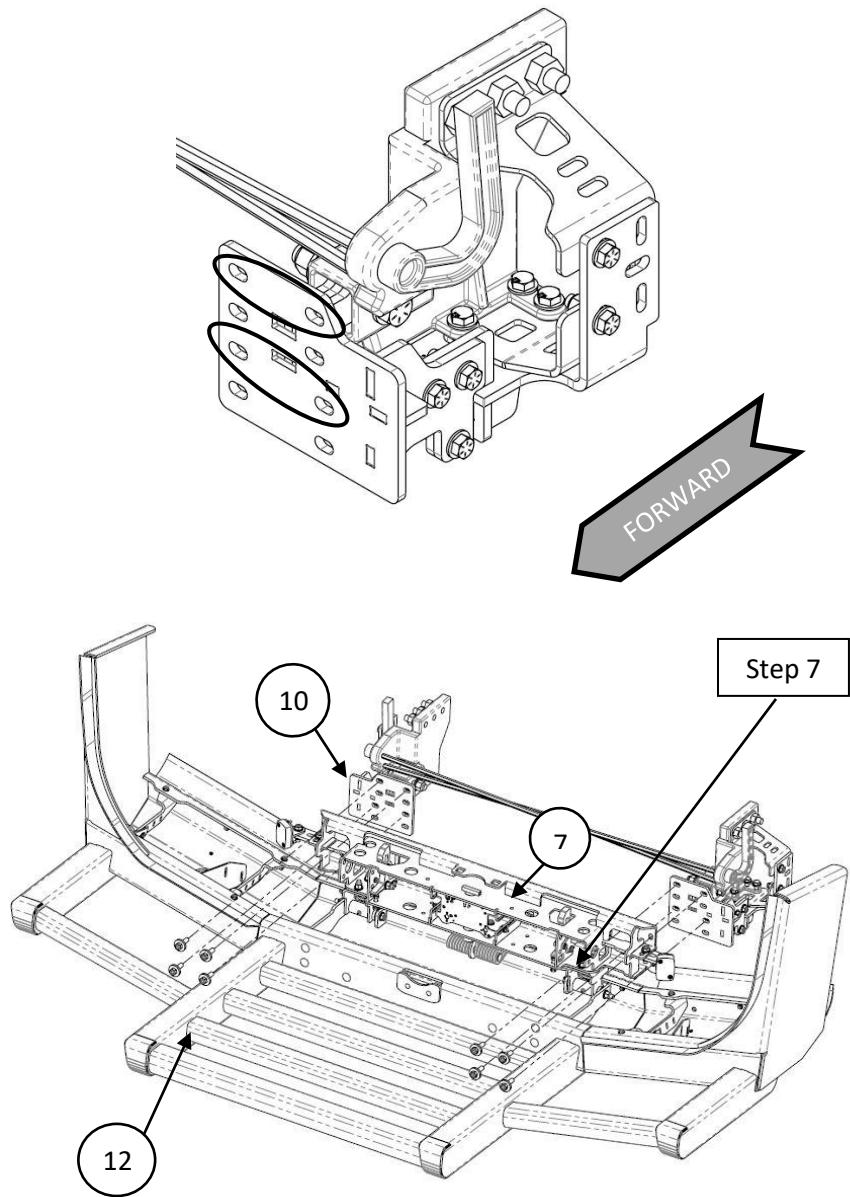


Figure 6 – Universal Bracket Installation (Driver Side Shown)

Installation Procedure

7. a) Ensure bumper is closed. From underneath the bumper, remove the 3/8" hardware securing the lift assist springs and slide off springs from the lift assist (Item 1).

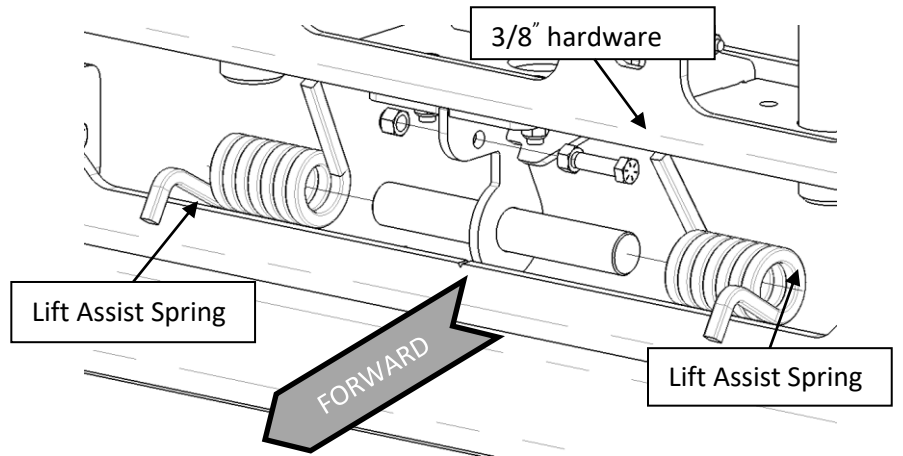


Figure 7a – Spring Assist Disassembly

- b) Once the springs are removed, carefully open the bumper using the slam latch. Remove the 1/2" hardware securing the bumper to the universal bracket. Remove bumper and set aside on cardboard. Now the bracket is isolated for mounting without a lift.

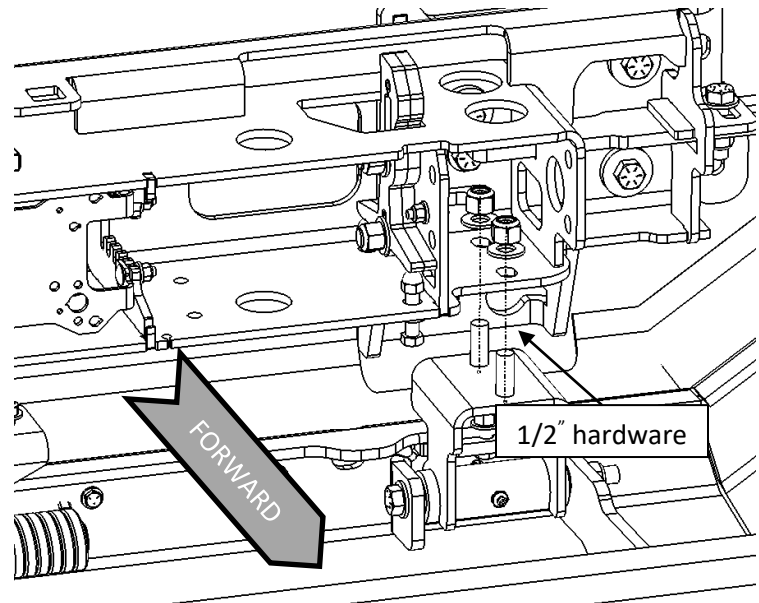


Figure 7b – Bracket and Bumper Disassembly (Driver Side Shown)

Installation Procedure

8. Install universal bracket (Item 7) to submounts (Item 10) using the provided hardware (Items 18, 19, 20 & 21). Be sure to mount both driver and passenger sides.

NOTE: The large washers are placed on the bracket (Item 7), small washers on the submounts (Item 10)

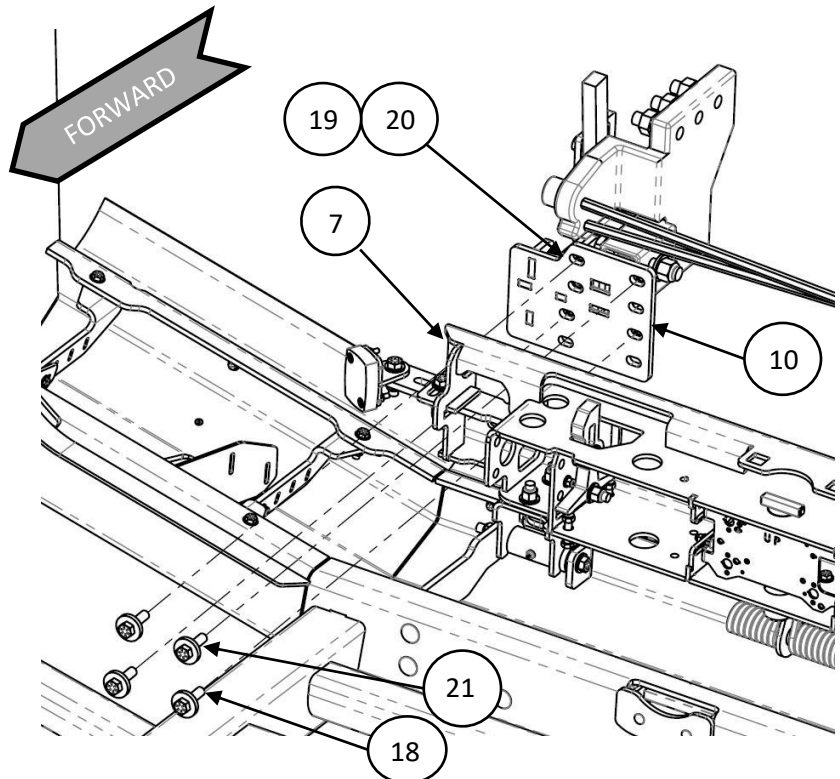


Figure 8 – Universal Bracket Submount Installation (Passenger Side Shown)

Installation Procedure

9. If bumper was disconnected from the universal bracket in step 7, reverse the procedure to mount bumper back onto the bracket.

a) First ensure the bumper hinges are open.

b) Attach using previously removed 1/2" bolts until the hinge just slightly touches the bracket.

c) Close the bumper and ensure the latch engages.

d) Open the bumper and tighten the bolts until they are snug.

e) Close the bumper again to ensure the latches engage properly.

f) Fully tighten the 1/2" hardware to 110 ft·lb. Latches may need to be adjusted, refer to Slam Latch Adjustment guide (S012).

g) Close the bumper and slide springs onto the lift assist shaft, ensuring that spring arms are inserted into slots of bumper. Reinsert 3/8" hardware securing the lift assist springs.

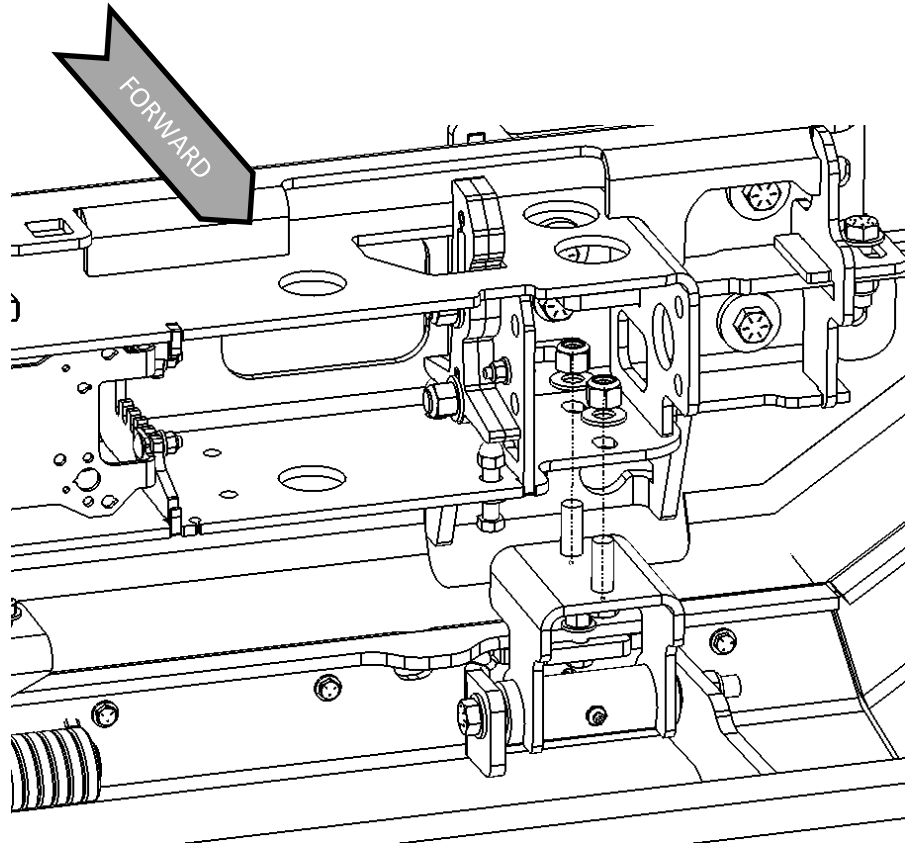


Figure 9.1 – Bracket and Hinge Reassembly

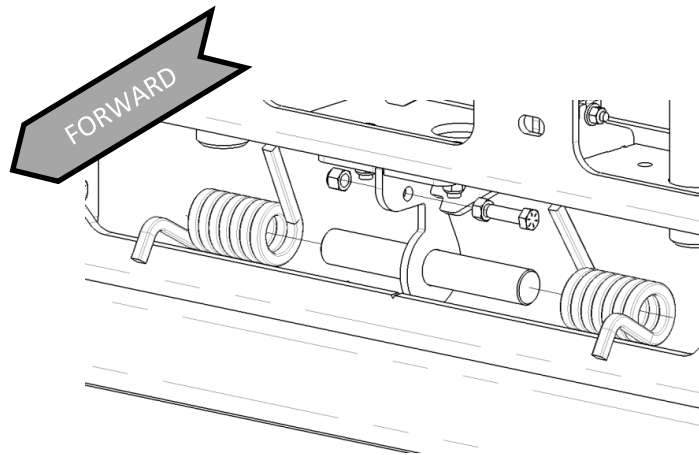


Figure 9.2 – Lift Assist Reassembly

Installation Procedure

10. If equipped with OEM driving lights, remove driving lights from factory bumper and retain OEM hardware. Reinstall onto Herd bumper using the preinstalled driving light brackets on both driver and passenger side.

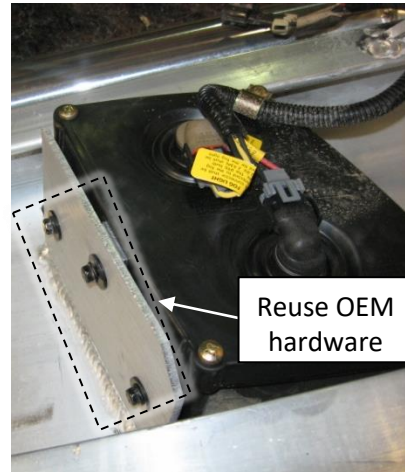


Figure 10 – OEM Light Installation (Passenger Side Shown)

Installation Procedure

11. Close the bumper and check fitment. Bumper position can be adjusted side to side and up or down as required. Once fitment is confirmed, tighten all mounting bolts to the required tensioning.

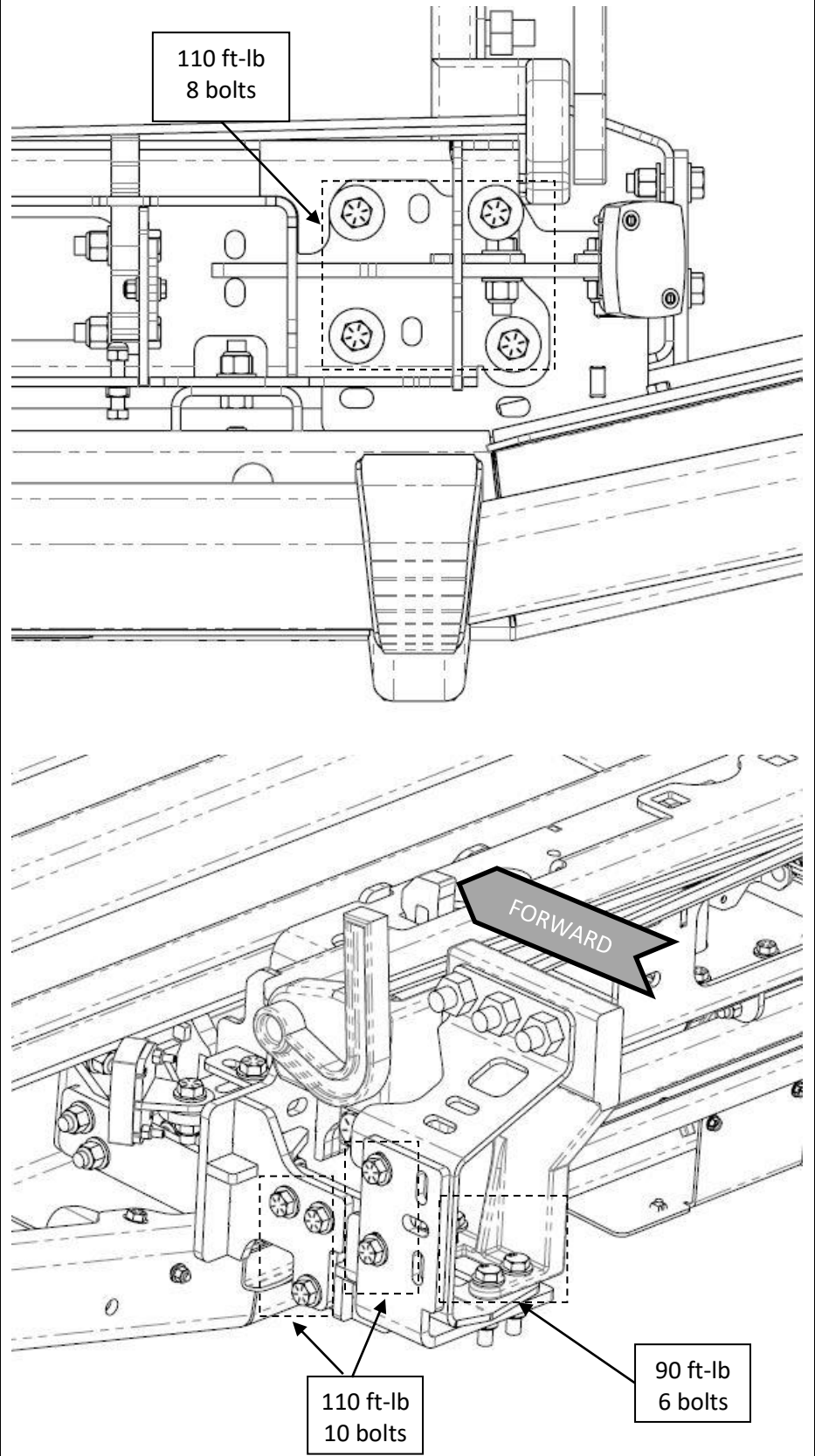


Figure 11 – Bolt Torque Specs (Driver Side Shown)

Installation Procedure

12. Insert the nylon licence nuts (Item 25) into the square cut-outs in the bumper and licence plate bracket (Item 9). Bolt the bracket into place using the No. 14 licence bolts (Item 26). The front four bolts can be used to mount a licence plate as needed.

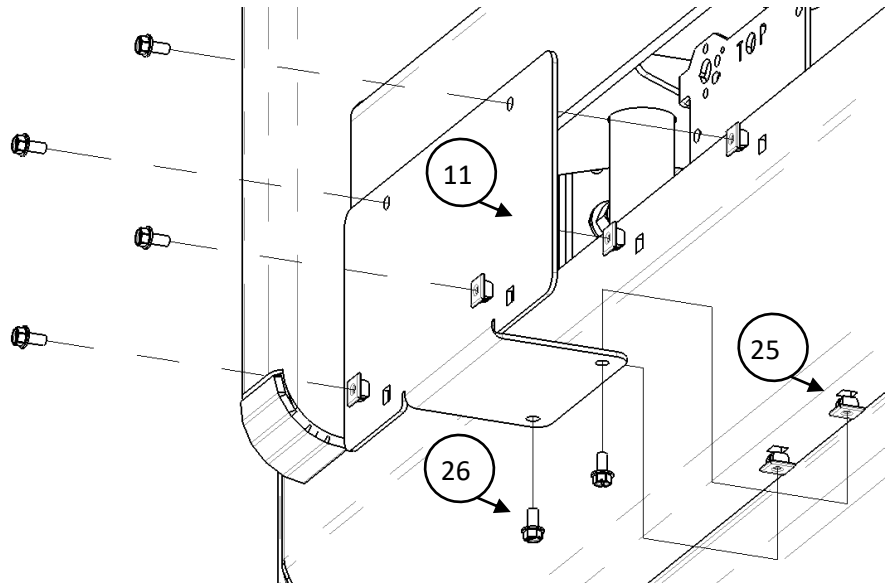


Figure 12 – License Plate Installation

13. Install Air Deflector (Item 9) to Herd bumper (Item 12) with the provided hardware (Items 15, 16 & 17).

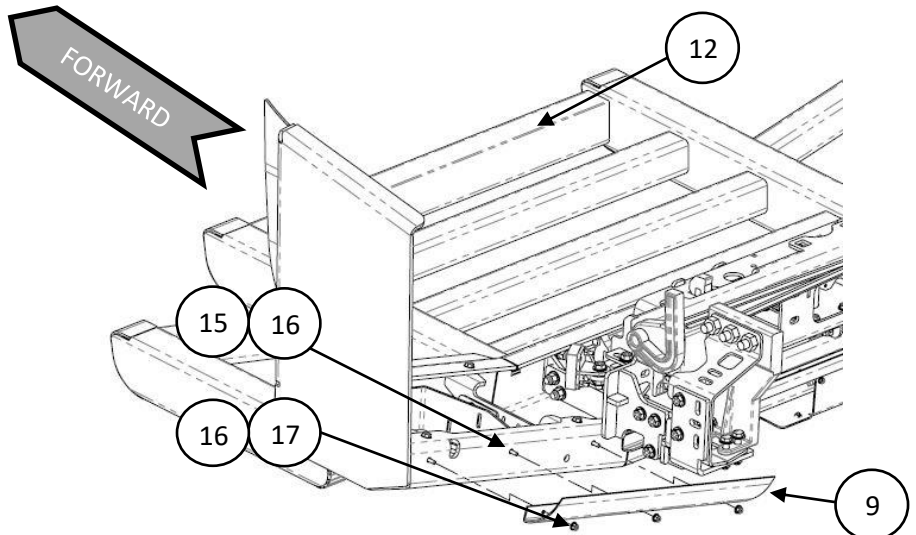


Figure 13 – Installation of Air Deflector (Driver Side Shown)

14. If the truck was equipped with a radar sensor, please refer to the HERD S009 Installation Guide.

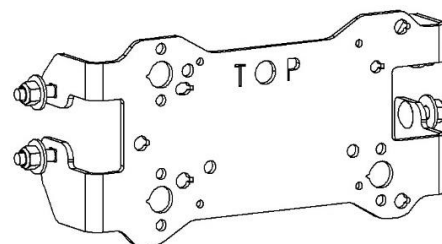


Figure 14 – HERD Radar Sensor Bracket

Installation Procedure

15. If installing surface-mount signal lamps, 4LMPA001, apply at max 85 in-lbs (7ft-lbs, 9.6Nm)

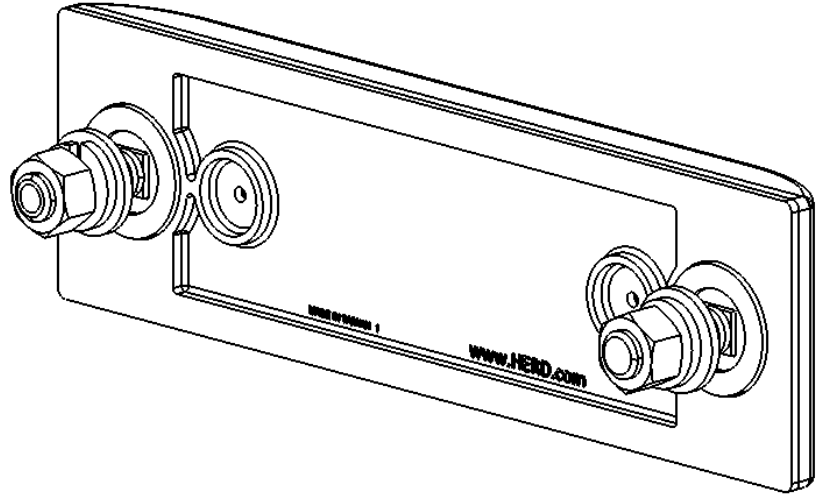


Figure 15 – Signal Light Installation.

Important

- Check mounting points after the first 5000 km and every 3-6 month.
- This bumper is equipped with Herd Slam Latch which requires periodic adjustment. Refer to Slam Latch Installation adjustment instructions (S001) to properly adjust your Slam Latch.