

<b>This Guide is for all Truck Guard Models, including (where applicable):</b>
Aero
Defender
Texas
Big Texas
Road Train
Super Road Train

Thank you for choosing HERD!

For assistance call  
1-888-543-4373  
[www.HERD.com](http://www.HERD.com)

Truck I.D.	Truck Models
WS11	WS 4900 SFA Drop Cradle Frame - Factory Tow Pin - Non-Lowmax
	

### Important

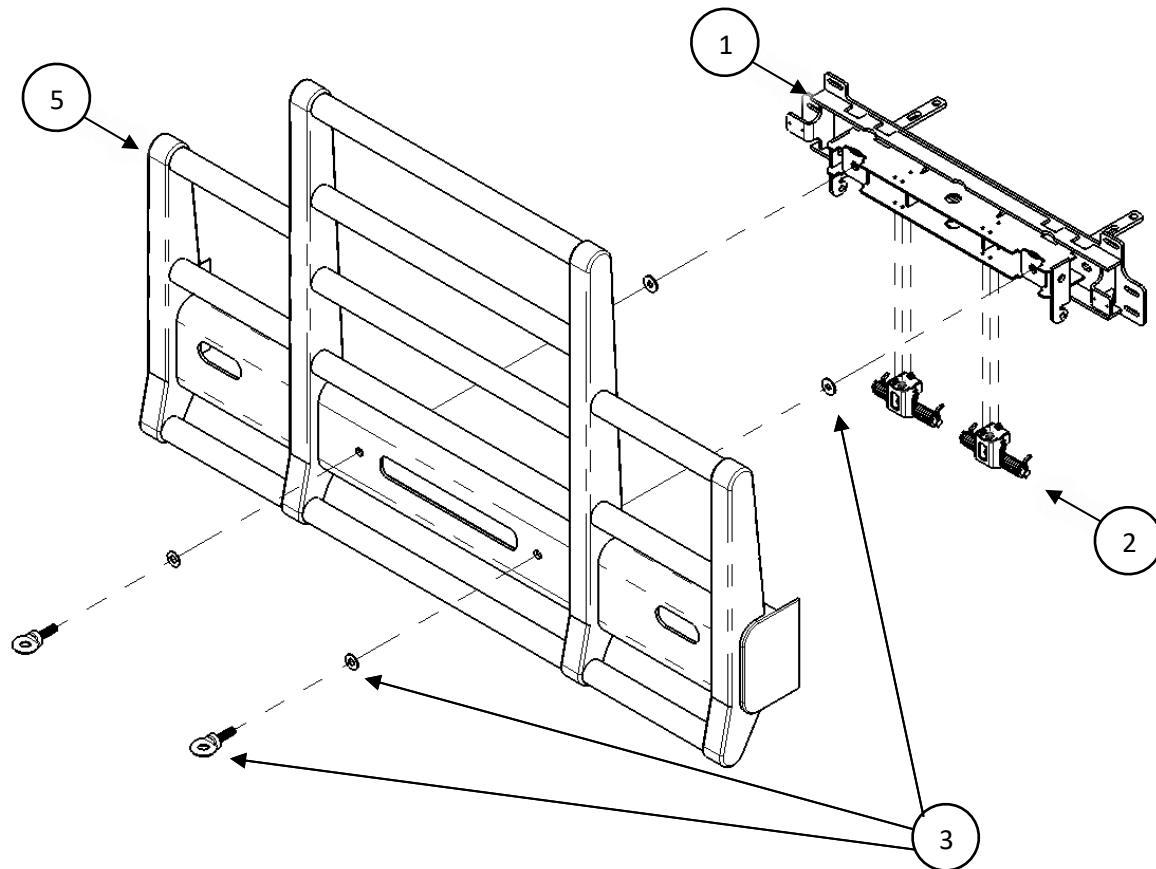
- Herd Truck Guards are vehicle "Make & Model" specific. Use of a Truck Guard on a vehicle other than the model it was designed for will constitute improper use of the product and may void warranty.
- Unless otherwise specified, Grade 8 or Class 10.9 hardware is to be used. For the purposes of these instructions, OEM hardware means the truck's original factory hardware.
- For further detail of warranty coverage and warranty repair information visit [www.HERD.com](http://www.HERD.com).

### General Safety

- Take time to fully read the instructions before installing the Herd Truck Guard.
- At all times exercise safe work shop practices, wear steel toe boots and safety glasses during installation.
- Parts and components of the Herd Truck Guard can be heavy, handle with care to avoid injuries.
- Respect power tools and use them as advertised.

HERD North America Inc.  
2168 Springfield Road  
Box 28, Group 525, RR5  
Sunnyside, MB Canada R5R 0J3

**Reference this Parts List if your Truck Guard has a CEB (Captive Eye Bolt) Latching System**



**Figure 1 – Captive Eye Bolt Latching System**

**Table 1: Parts and Hardware Included**

Item No	Part No	Description	Qty
1	BR-WS11-AT (Only with Aero, Road Train, Super Road Train, Texas, & Big Texas Versions) or BR- WS11-FLT (Only with Defender Version)	BRACKET, Western Star 4900 SFA Drop Cradle Frame - Factory Tow Pin - Non-Lowmax	1
2	1MPA027 (Only with Aero, Road Train, Super Road Train, Texas, & Big Texas Versions) or 1MPA024 (Only with Defender Version)	ASSY - LEGACY LIFT ASSIST	2
3	7-EYEBOLT KIT	CAPTIVE EYEBOLT ASSEMBLY	2
5	HERD TRUCK GUARD	TRUCK GUARD APPEARANCE MAY VARY BY SKU	1
*6	500120	BOLT-HEX 5/8-11X2-1/2 NC GR8 YZP	4
*7	500119	BOLT-HEX 5/8-11X2 NC GR8 YZP	8
*8	500214	WASHER-FLAT 5/8 SAE GR8 YZP	24
*9	500176	NUT-NYLOCK 5/8-11 NC GR8 YZP	12
*10	500086	BOLT-HEX 1/2-13X2 NC GR8 YZP	8
*11	500206	WASHER-FLAT 1/2 SAE GR8 YZP	16
*12	500167	NUT-NYLOCK 1/2-13 NC GR8 YZP	8
*13	500254	SHIM-SLOTTED .615 SLOTX.125 THICK	4
*14	500255	SHIM-SLOTTED .615 SLOTX.062 THICK	4

**Items marked with \* are not shown in Figure 1 above**

Reference this Parts List if your Truck Guard has a Slam Latch Latching System

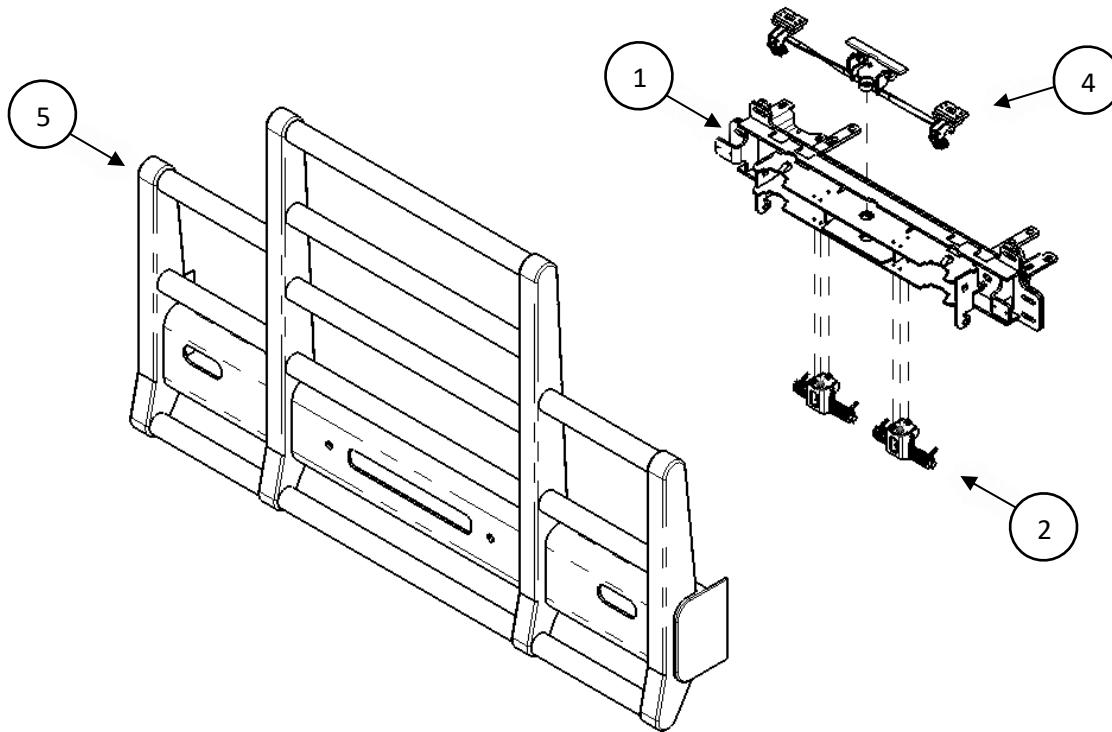


Figure 2 – Slam Latch Latching System

Table 2: Parts and Hardware Included

Item No	Part No	Description	Qty
1	BR-WS11-AT-SL (Only with Aero, Road Train, Super Road Train, Texas, & Big Texas Versions) or BR- WS11-FLT-SL (Only with Defender Version)	BRACKET, Western Star 4900 SFA Drop Cradle Frame - Factory Tow Pin - Non-Lowmax	1
2	1MPA027 (Only with Aero, Road Train, Super Road Train, Texas, & Big Texas Versions) or 1MPA024 (Only with Defender Version)	ASSY - LEGACY LIFT ASSIST	2
4	4-MC-SLA-A	ASSY- LEGACY SLAM LATCH	1
5	HERD TRUCK GUARD	TRUCK GUARD APPEARANCE MAY VARY BY SKU	1
*6	500120	BOLT-HEX 5/8-11X2-1/2 NC GR8 YZP	4
*7	500119	BOLT-HEX 5/8-11X2 NC GR8 YZP	8
*8	500214	WASHER-FLAT 5/8 SAE GR8 YZP	24
*9	500176	NUT-NYLOCK 5/8-11 NC GR8 YZP	12
*10	500086	BOLT-HEX 1/2-13X2 NC GR8 YZP	8
*11	500206	WASHER-FLAT 1/2 SAE GR8 YZP	16
*12	500167	NUT-NYLOCK 1/2-13 NC GR8 YZP	8
*13	500254	SHIM-SLOTTED .615 SLOTX.125 THICK	4
*14	500255	SHIM-SLOTTED .615 SLOTX.062 THICK	4

Items marked with \* are not shown in Figure 2 above

## Installation Procedure

1. Remove the 6 OEM bolts on the front of the OEM bumper. Disconnect OEM driving lights if applicable.

Remove the OEM bumper. If the truck has a collision mitigation radar sensor, unplug and remove it.



Figure 3 – OEM Bumper Removal Front View

2. If the truck is a "Logger", the cast center tow section that protrudes from the front of the truck needs to be removed and two additional "Herd" brackets are required to replace the OEM bumper mounting brackets.

1-MP-WS11.70 (LH & RH) are used for Raised Cab truck models.

1-MP-WS11.71(LH & RH) are used for Non-Raised Cab truck models.

Replace the existing factory supplied bumper mounting brackets with the HERD supplied mounting brackets. Reuse OEM Hardware for mounting HERD supplied brackets.

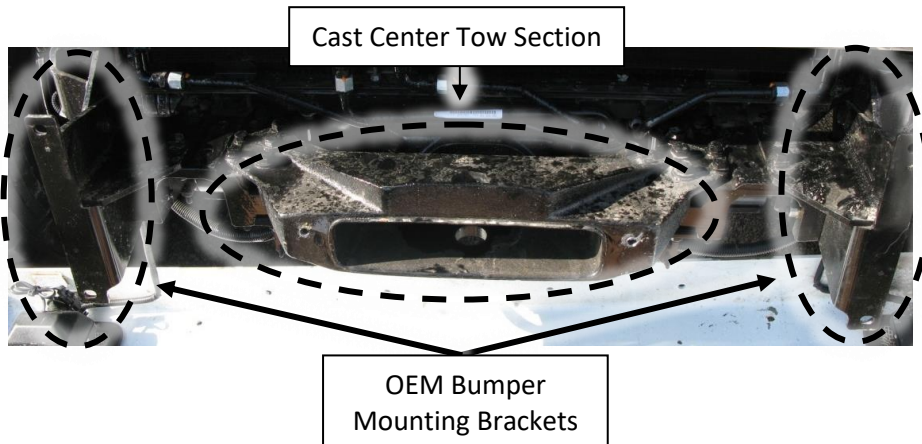
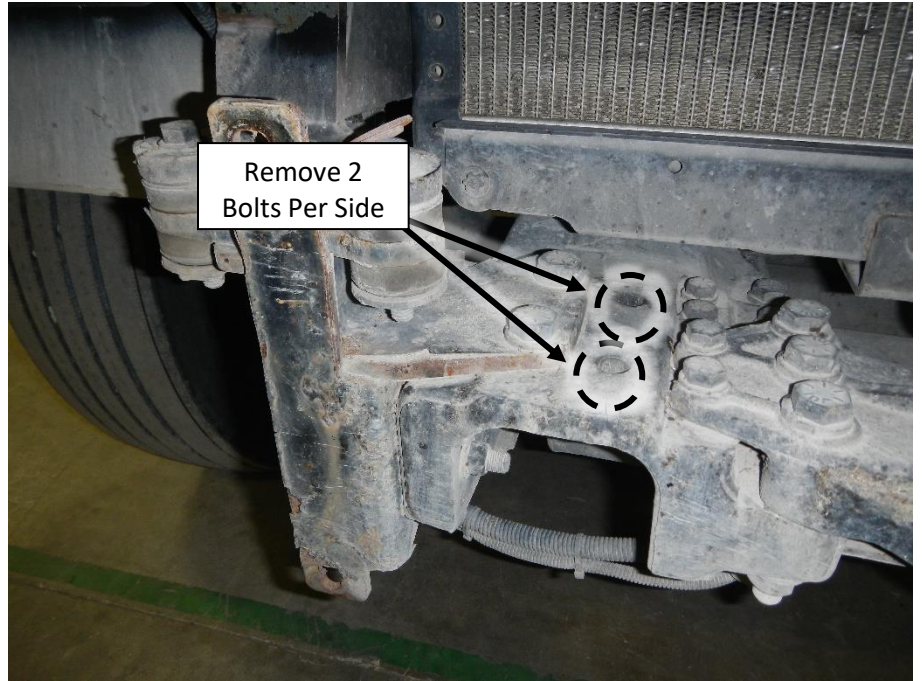


Figure 4 – OEM Bumper Mounting Brackets & Cast Center Section

## Installation Procedure

3. Remove the OEM Hardware as shown in Figure 5. Remove 2 bolts per side.

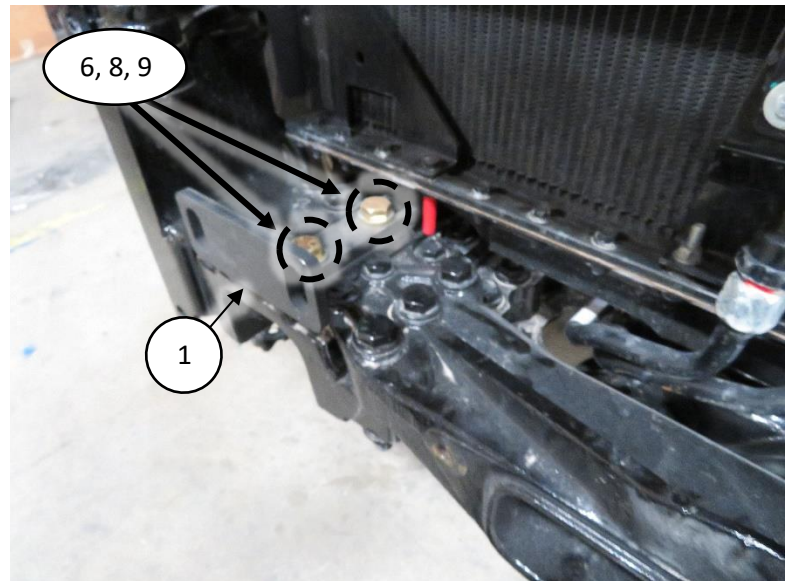


**Figure 5 – Removing OEM Hardware (Passenger Side Shown)**

4. Install submount 1-MP-WS12-SUB.1 (Part of Item 1) on the passenger side of the truck frame as shown in figure 6.

Install submount 1-MP-WS12-SUB.2 (Part of Item 1) on the driver side of the truck frame as shown in figure 6.

Do so with HERD supplied hardware (Items 6, 8, 9).



**Figure 6 – Bracket Submount Installation (Passenger Side Shown)**

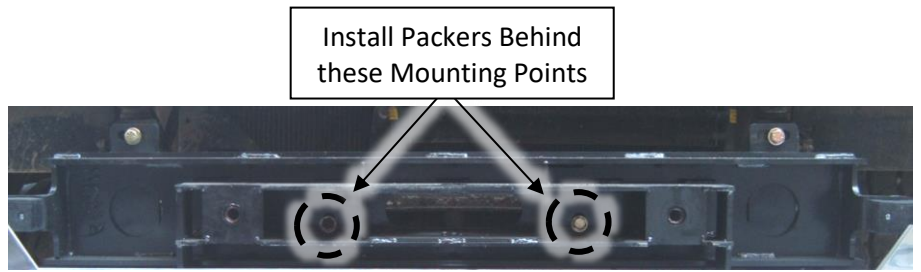


## Installation Procedure

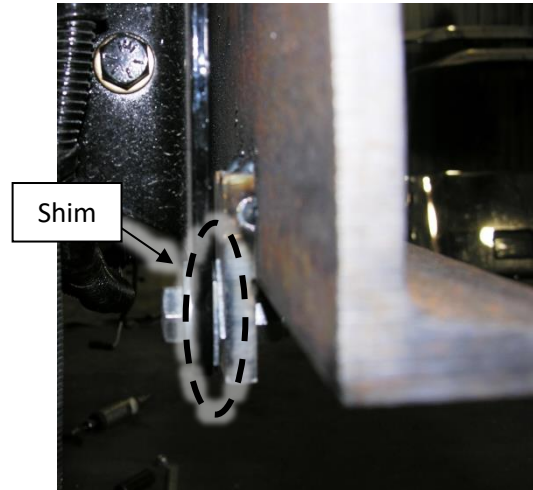
5. Install Bracket using supplied Hardware. See step 6 for which mounting points to use.

Ensure that 3/8" packers 1-BR-PAC-51x9.5 (Part of Item 1) are used behind the bracket on the fasteners that connect to the center tow section. See Figure 7a.

If necessary, use the provided shims (Items 13, 14) to ensure the bracket sits square on the truck. See Figure 7b.



**Figure 7a** – Mounting points that require Packer plates

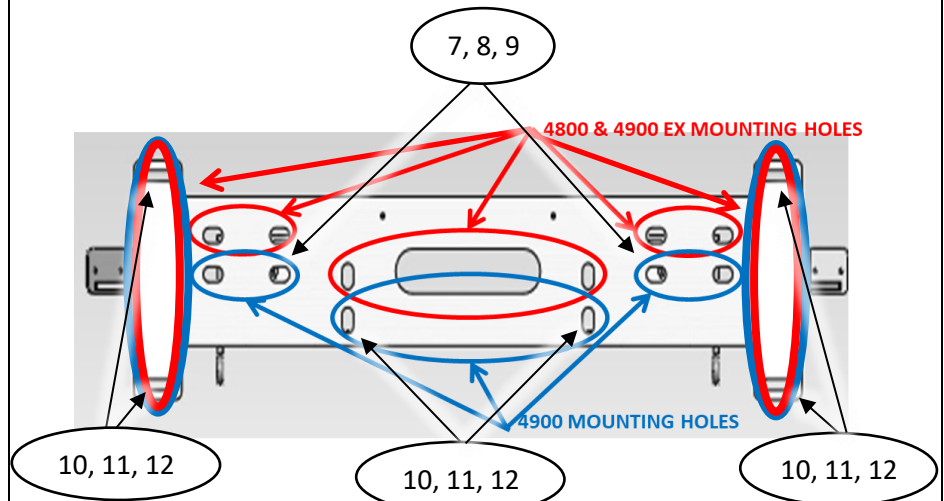


**Figure 7b** – Use of Shims to Position Bracket

6. Install the Bracket to the truck using the mounting points shown in Figure 8. Use provided hardware (Items 7, 8, 9, 10, 11, 12).

**Note:**

If installer has a crane available, Truck Guard can be attached onto truck with bracket, otherwise disassemble Truck Guard from bracket first. Keep hardware. If HERD Truck Guard is equipped with lift assist, the springs must be removed. Refer to instructions S004 (Defender Truck Guards) or S005 (Aero/Texas Truck Guards) for proper lift assist disassembly procedure.

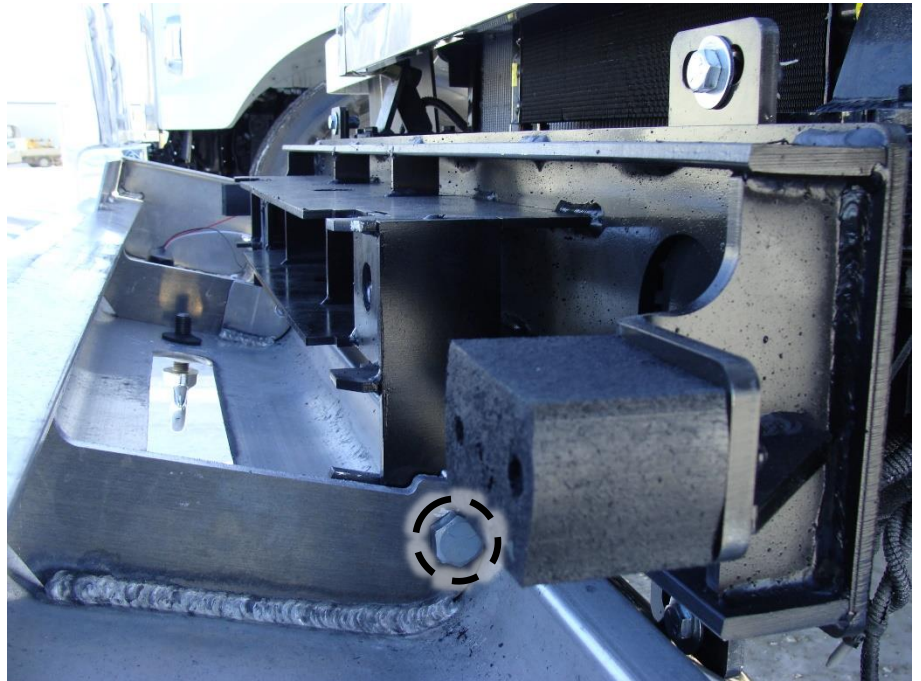


**Figure 8** – HERD Loose Bracket Installation (Passenger Side Shown)

## Installation Procedure

7. If the Herd Truck Guard was disassembled from bracket in Step 6, reinstall Herd Truck Guard onto bracket using the hardware kept from Step 6. Fasten both the driver and passenger sides.

**For DFLT & Defender models only: To install the hinge bolts, the Truck Guard must be in the open (down) position to allow the bottom lip to go under and around the steel hinge.**



**Figure 9 – View of Bracket Hinge (Driver Side Shown)**

8. Close the Truck Guard and check fitment. Truck Guard position can be adjusted side to side and up or down as required. Once fitment is confirmed, tighten all mounting bolts. Torque 3/4" hardware to 150lb-ft. Torque 1/2", 9/16", and 5/8" hardware to 110lb-ft



**Figure 10 – Herd Truck Guard Installed**

### Important

- Check mounting points after the first 5000 km and every 3-6 months.
- If this Truck Guard is equipped with Legacy Herd Slam Latch, periodic adjustment is required. Refer to Legacy Slam Latch Installation adjustment instructions to properly adjust your Slam Latch.
- The drop-forged eyebolts are an integral part of the strength of Herd Truck Guards. When tightened firmly, they will minimize vibration and provide superior impact resistance.
- To help maintain the factory finish, avoid acid wash.