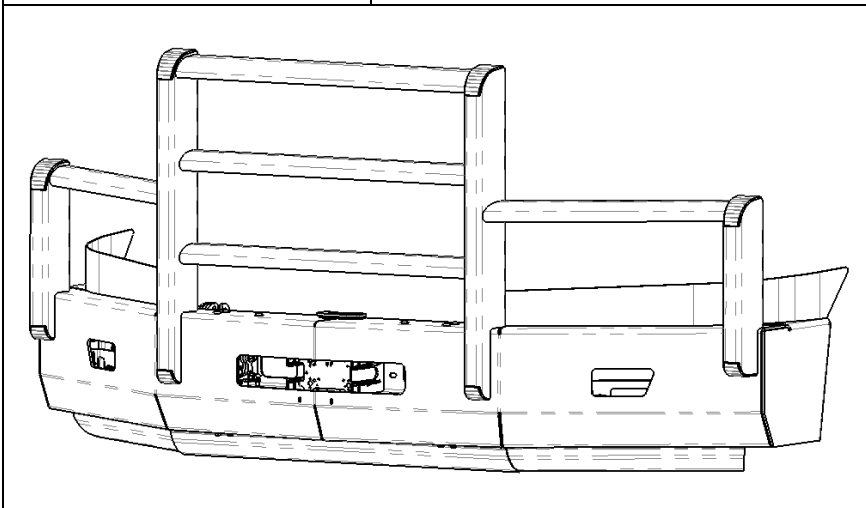


SKU #	Truck Model
WS23C4-02	Western Star 5700



Thank you for choosing HERD!

For assistance call
1-888-543-4373
www.HERD.com

Important

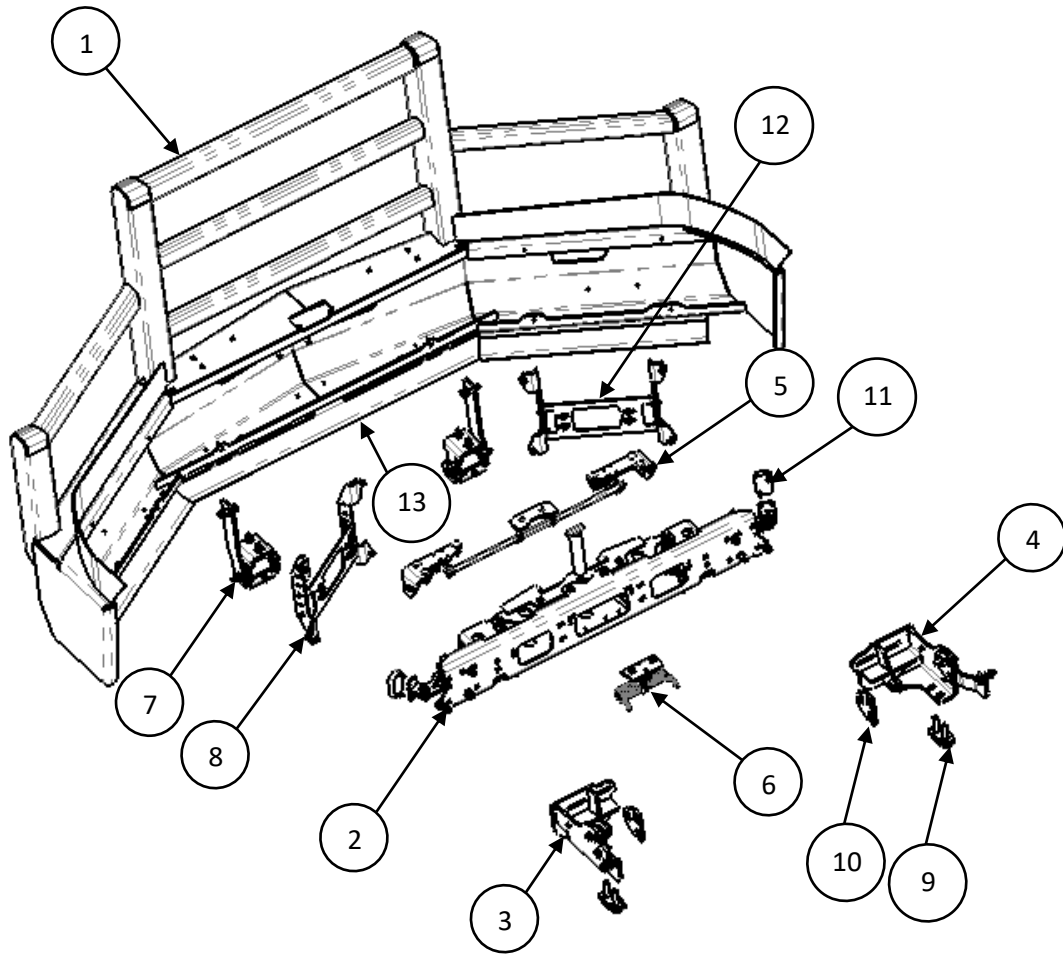
- Herd Guards are vehicle "Make & Model" specific. Use of a Guard on a vehicle other than the model it was designed for will constitute improper use of the product and may void warranty.
- Unless otherwise specified, Grade 8 or Class 10.9 hardware is to be used. For the purposes of these instructions, OE hardware means the truck's original factory hardware.
- For further detail of warranty coverage and warranty repair information visit www.HERD.com.

General Safety

- Take time to fully read the instructions before installing the Herd Guard.
- At all times exercise safe work shop practices, wear steel toe boots and safety glasses during installation.
- Parts and components of the Herd Guard can be heavy, handle with care to avoid injuries.
- Respect power tools and use them as advertized.

HERD North America Inc.
2168 Springfield Road
Box 28, Group 525, RR5
Sunnyside, MB Canada R5R 0J3

Parts and tools referenced in this instruction



Parts and hardware included

Item No	Part No	Description	Qty
1	2W3015	WLDMT-BUMPER FL50C5	1
2	100062	ASSY-UNIVERSAL BRACKET	1
3	1W3002	WLDMT - MOUNT WS23 DS	1
4	1W3007	WLDMT - MOUNT WS23 PS	1
5	100027	C4-02 SLAM LATCH ASSEMBLY	1
6	100021	ASSY-LIFT ASSIST	1
7	100054	ASSY-HINGE	1
8	100058	KIT-CHANNEL STRUT	4
9	100074	PL - SPACER	4
10	1F0038	PL - MOUNT	2
11	400014	KIT-RUMBER 20 MM	2
12	2W3022	KIT - LIGHT WS23	2
13	403001	KIT-AIR DEFLECTOR WS23	1
14	500167	NUT-NYLOCK 1/2-13 NC GR8 YZP	8
15	500263	WASHER-FLAT 1/2X1-1/2OD 1/4THICK	8
16	500206	WASHER-FLAT 1/2 SAE GR8 YZP	14
17	500289	NUT-NYLOCK M12X1.75 CL10.9 WZP	4
18	500214	WASHER-FLAT 5/8 SAE GR8 YZP	4
19	500121	BOLT-HEX 5/8-11X3 NC GR8 YZP	4
20	500313	BOLT-HEX 1/2-13X2 NC GR8 PLAIN	8
21	500141	BOLT-HEX M12X1.75X60 CL10.9 YZP	2
22	500085	BOLT-HEX 1/2-13X1-3/4 NC GR8 YZP	6
23	500169	NUT-NYLOCK 1/4-20 NC GR8 YZP	30
24	500208	WASHER-FLAT 1/4 SAE GR8 YZP	60
25	500095	BOLT-HEX 1/4-20X1 NC GR5 WZP	30
26	100046	KIT-CAS BRACKET	1
27	500286	FLAT WASHER M12 ZP	6

Installation Procedure

1. With the hood of the truck open, disconnect wiring to factory driving lights (if equipped) and air temperature sensor. Disconnect both driver side and passenger side lights.

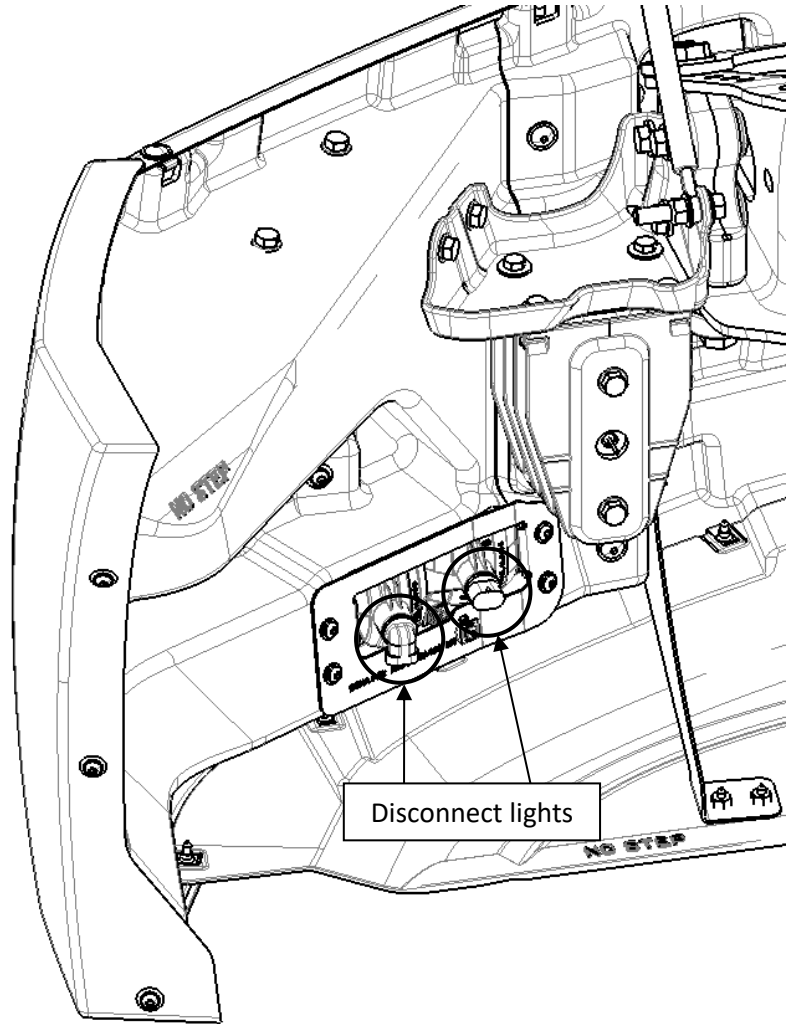


Figure 1 – Factory Driving Lights Disconnected (Driver Side Shown).

2. From the front underside of the factory bumper, remove the two screws shown.

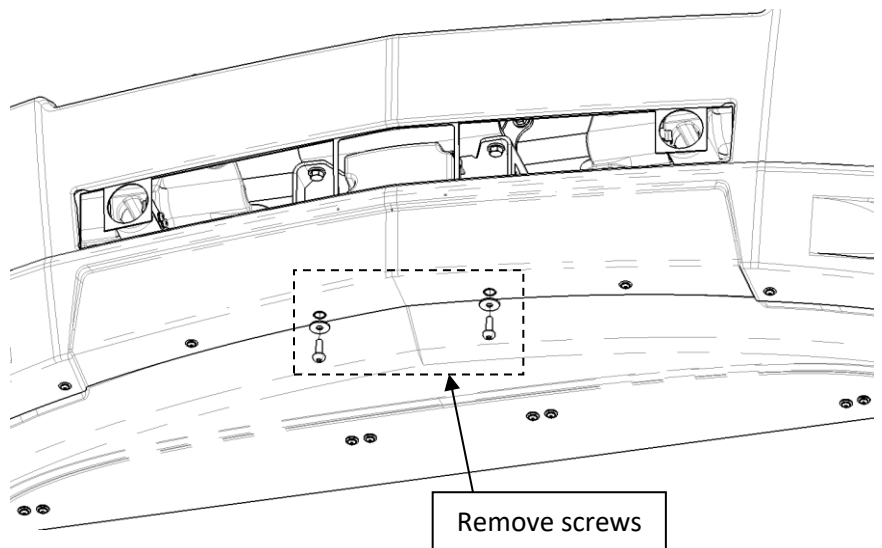


Figure 2 – Factory Bumper Uninstall.

Installation Procedure

3. Remove hood struts from OEM bumper mounting brackets on both driver and passenger side. Remove bolts that connect OEM bumper to truck frame. The OEM bumper can now be removed.

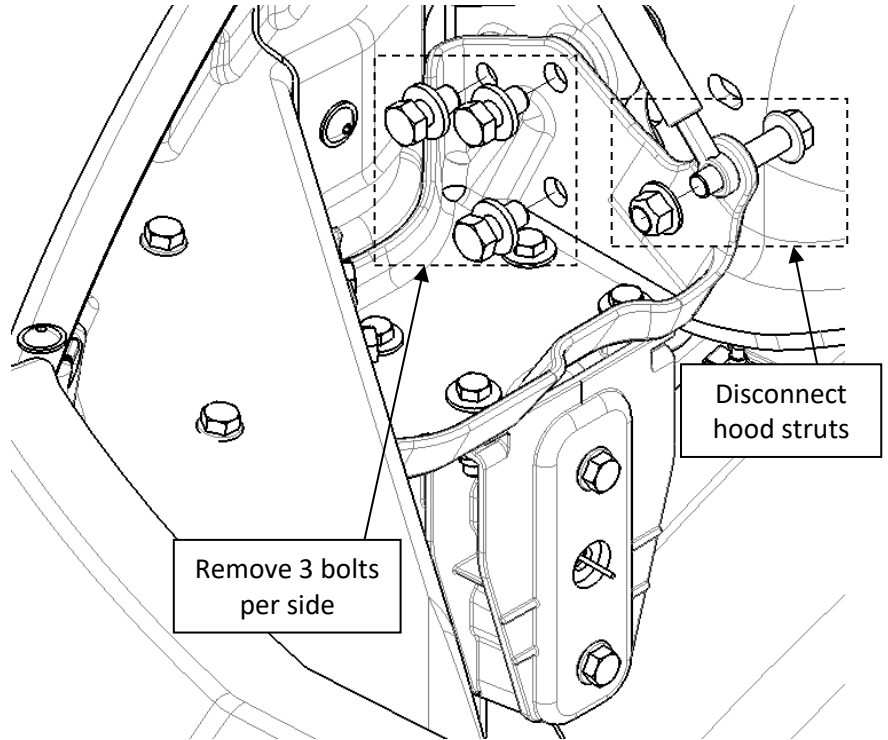


Figure 3 – Factory Bumper Mounting Bracket Removal (Driver Side Shown).

4. If the truck is equipped with a collision avoidance system (CAS), it must be removed. Disconnect the wiring that runs to the CAS unit before removing the screws as shown. Retain OEM hardware.

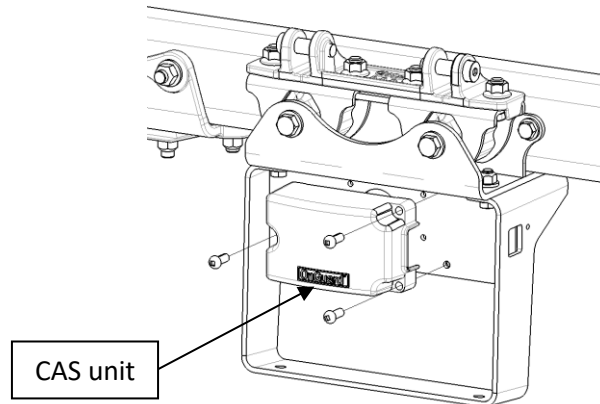


Figure 4 – CAS Unit Uninstall.

5. Remove the factory bumper mounting bracket from the truck frame.

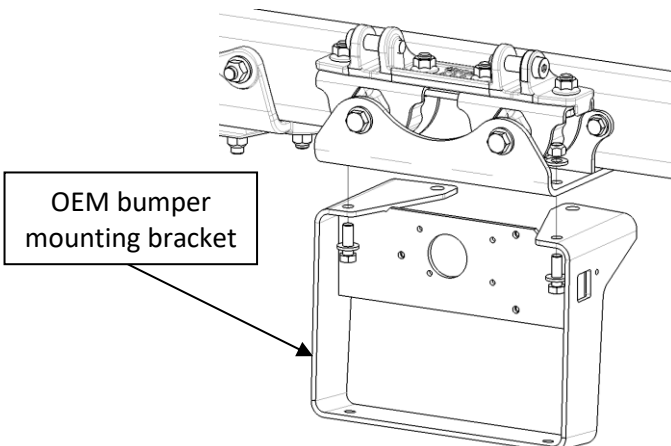


Figure 5 – OEM Bumper Mounting Bracket Uninstall.

Installation Procedure

6. From the underside of the truck frame, remove the front two bolts shown on both driver and passenger side (four bolts total).

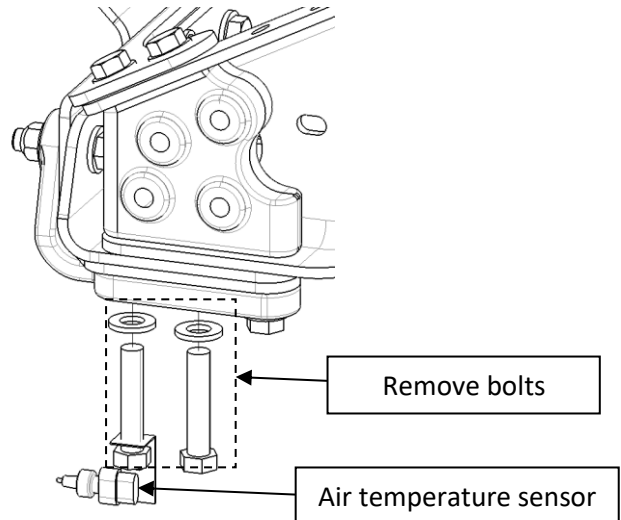


Figure 6 – Truck Frame Bolt Removal (Driver Side Shown).

7. Attach driver side submount (Item 3) and passenger side submount (Item 4) to truck frame. For wide radiator (wide rad) truck models, position Item 10 between submount and truck frame as shown. Position Item 9 between bolts and submount as shown.

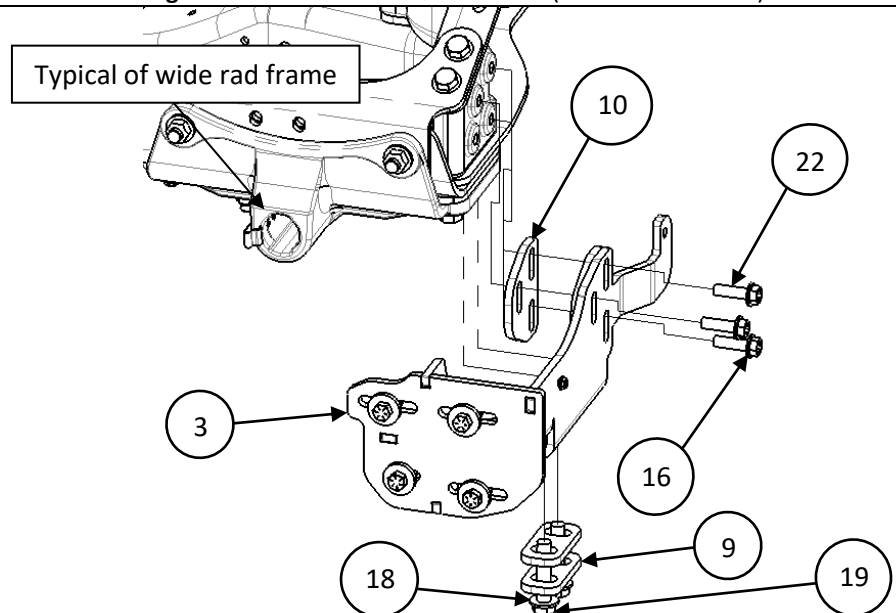


Figure 7 – Wide Rad Model Submount Installation (Driver Side Shown).

8. For narrow radiator (narrow rad) truck models, position Item 10 between bolts and submount as shown. Position Item 9 spacers between submount and truck frame as shown. Attach both driver side submount and passenger side submount.

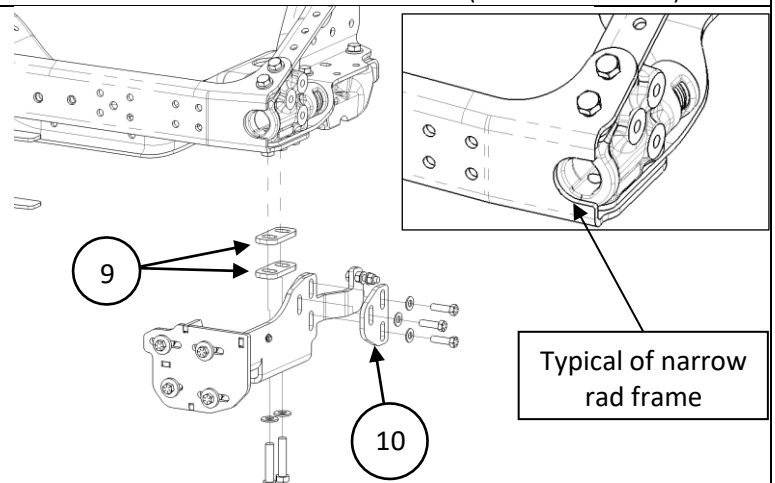


Figure 8 – Narrow Rad Model Submount Installation (Driver Side Shown).

Installation Procedure

9. a) Typical of wide rad. trucks, Install previously removed air temperature sensor onto Herd submount (Item 3). Reattach hood struts to Herd submount's front hole on both driver side and passenger side, using provided hardware as shown in Figure 9a.

b) Typical of narrow rad trucks, Install previously removed air temperature sensor onto Herd submount (Item 3). Reattach hood struts to Herd submount's rear hole on both driver side and passenger side, using provided hardware. The hood strut must be spaced out with one of the nuts provided as shown in Figure 9b.

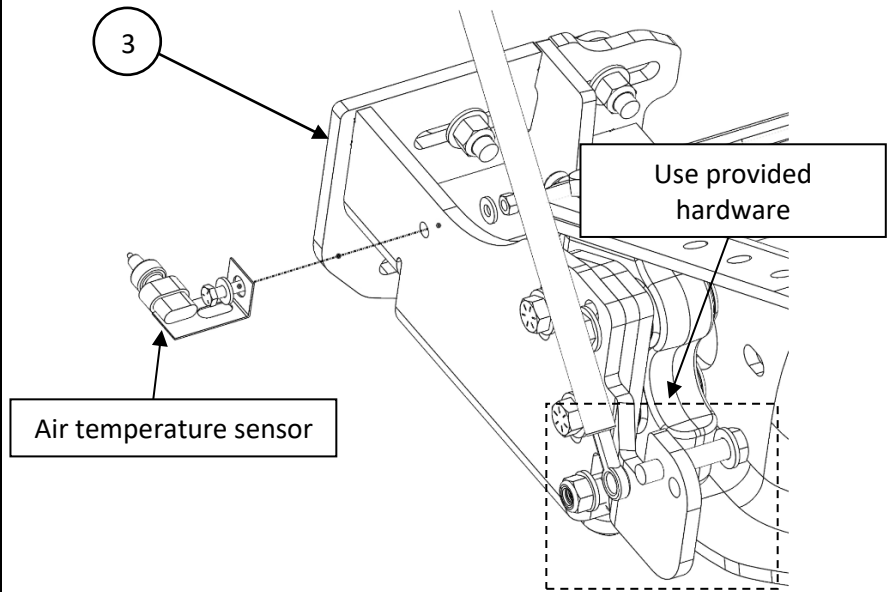


Figure 9a – Typical Wide Rad. Trucks Air Temperature Sensor and Hood Strut Reinstallation (Driver Side Shown).

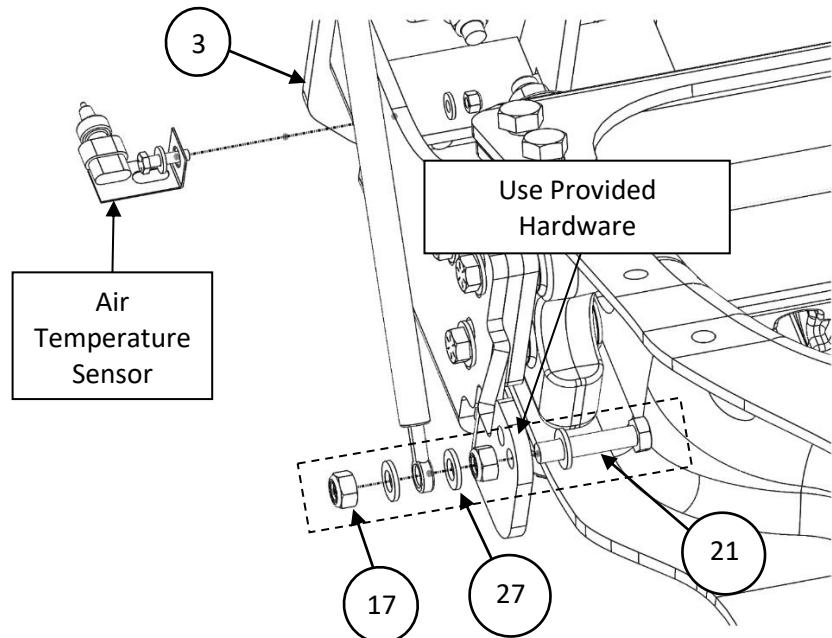


Figure 9b – Typical Narrow Rad. Trucks Air Temperature Sensor and Hood Strut Reinstallation (Driver Side Shown).

Installation Procedure

10. Open Herd Guard by pulling on the handle. Using crane, lift the bumper (Item 1) and universal bracket (Item 2) and attach to Herd submounts (Items 3 and 4).

Note:

If installer does not have a crane available, bumper can be disassembled from the universal bracket to simplify installation as shown in step 11, otherwise proceed to step 12.

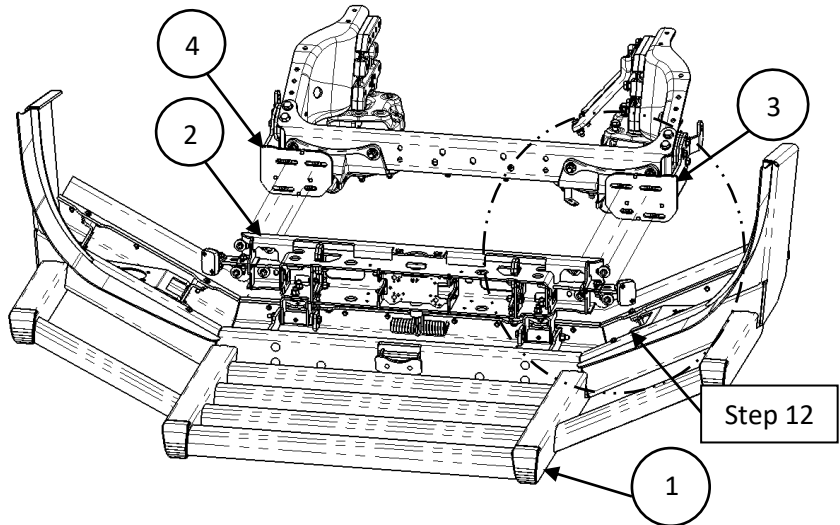


Figure 10 – Universal Bracket Installation.

11. a) Ensure bumper is closed. From underneath the bumper, remove the 3/8" hardware securing the lift assist springs and slide off springs from the lift assist (Item 6).

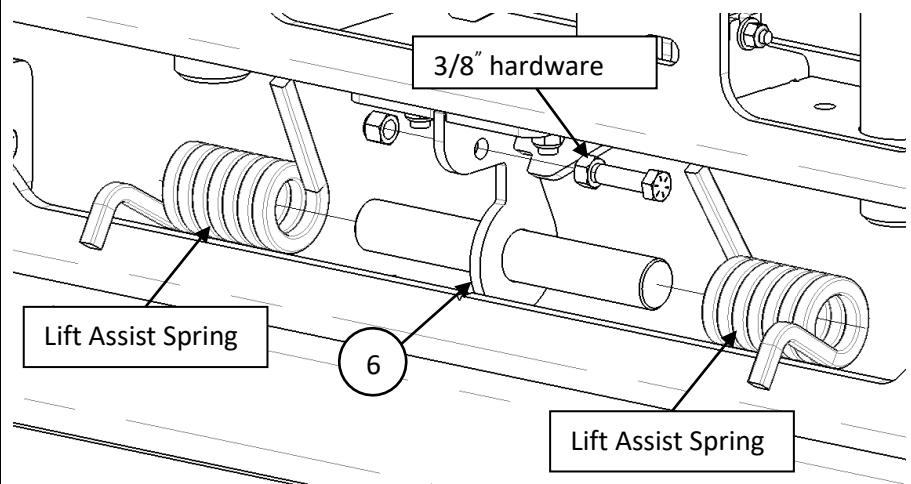


Figure 11a – Lift Assist Disassembly.

- b) Once the springs are removed, carefully open the bumper using the slam latch. Remove the 1/2" hardware securing the bumper to the universal bracket. Remove bumper and set aside on cardboard. Now the bracket is isolated for mounting without a lift.

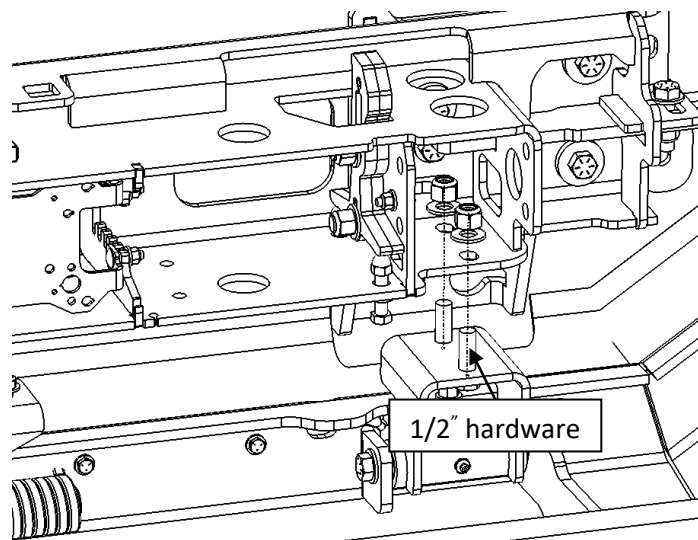


Figure 11b – Bracket and Bumper Disassembly (Driver's Side Shown).

12. Attach universal bracket (Item 2) to driver side submount (Item 3) and passenger side submount (Item 4) as shown.

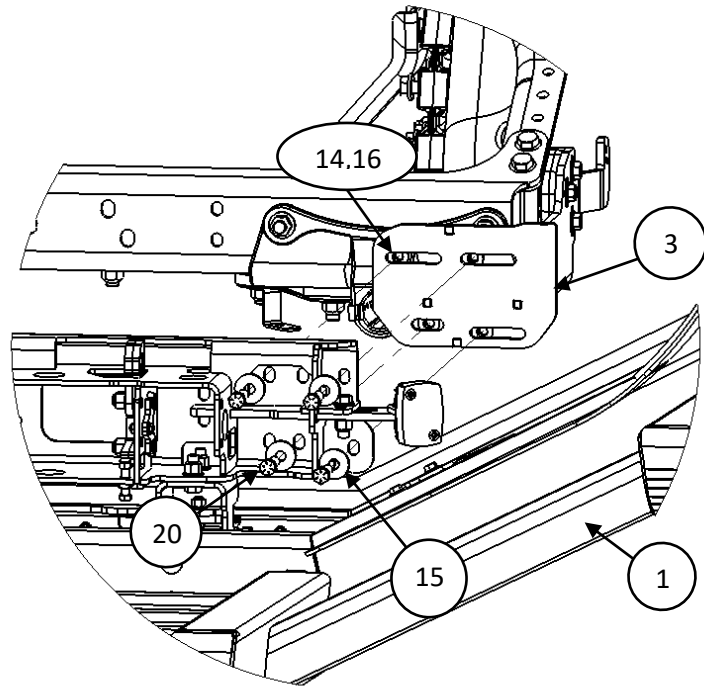


Figure 12 – Universal Bracket Installation Detail View (Driver Side Shown).

13. If bumper was disconnected from the universal bracket in step 6, reverse the procedure to mount bumper back onto the bracket.

a) First ensure the bumper hinges are open.

b) Attach using previously removed 1/2" bolts until the hinge just slightly touches the bracket.

c) Close the bumper and ensure the latch engages.

d) Open the bumper and tighten the bolts until they are snug.

e) Close the bumper again to ensure the latches engage properly.

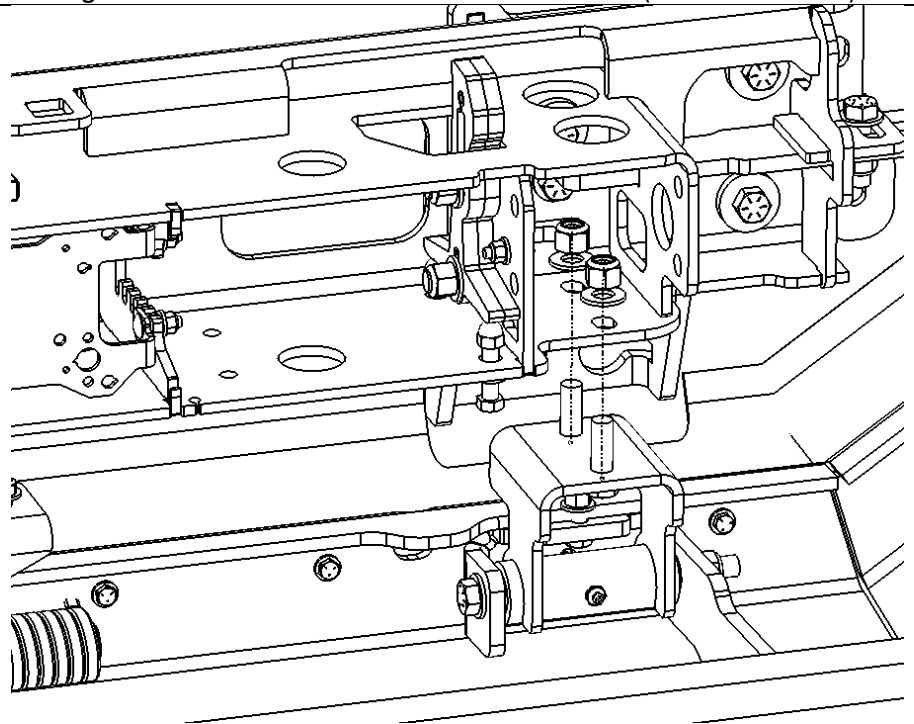


Figure 13.1 – Bracket and Lift Assist Reassembly.

Installation Procedure

d) Fully tighten the ½" hardware to 110 ft·lb. Latches may need to be adjusted, refer to Slam Latch Adjustment guide (S012).

e) Close the bumper and slide springs onto the lift assist shaft, ensuring that spring arms are inserted into slots of bumper. Reinsert 3/8" hardware securing the lift assist springs.

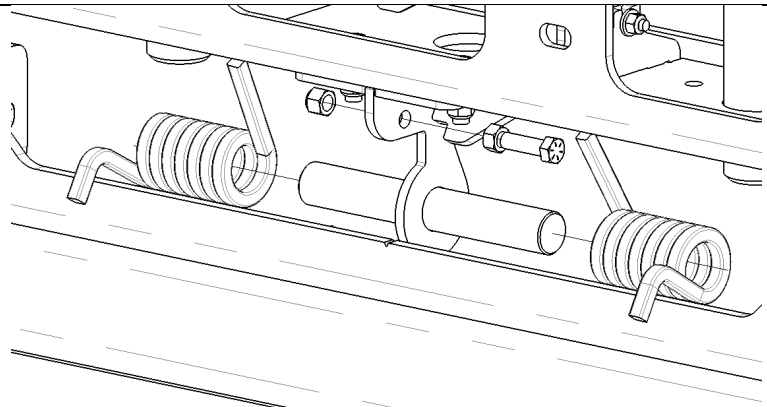


Figure 13.2– Bracket and Lift Assist Reassembly.

14. If equipped with OEM driving lights, remove driving lights from factory bumper. Remove driving light bracket (Item 12) from HERD Guard and install factory lights using the provided hardware (Items 23 24 25). Do this for both driver side and passenger side.

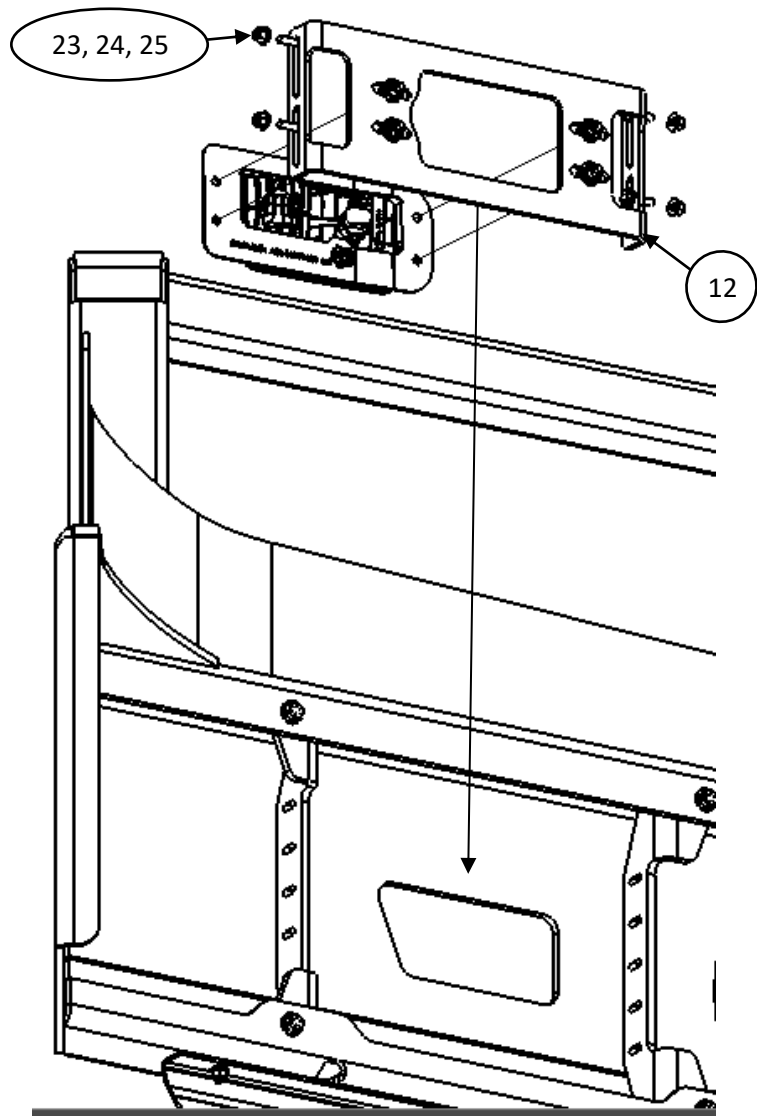


Figure 14– OEM Light Installation.

Installation Procedure

15. Close the bumper and check fitment. Bumper position can be adjusted side to side and up or down as required. Once fitment is confirmed, tighten all mounting bolts. Reattach wiring to air temperature sensor and driving lights.

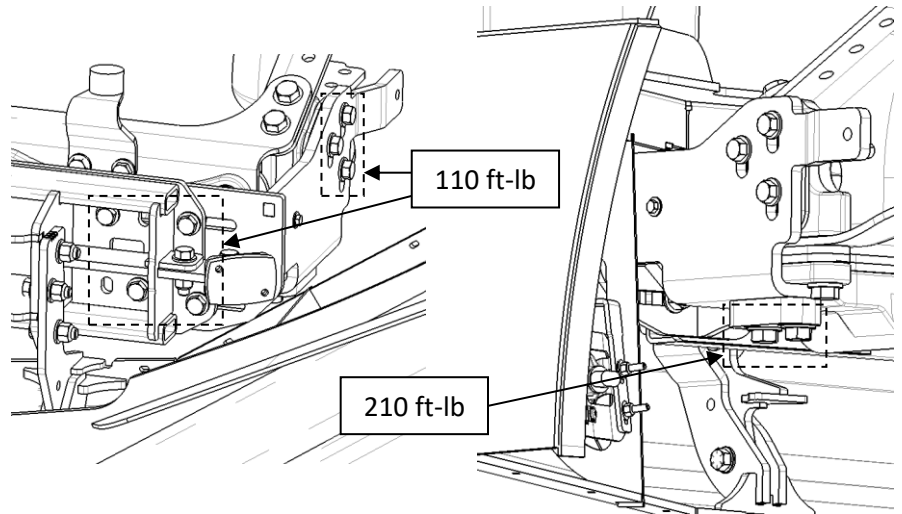


Figure 15 – Bolt Torque Specs (Driver Side Shown).

16. Install the air deflector (Item 13) to the Bumper (Item 1) as shown using the supplied hardware (Items 23, 24, 25).

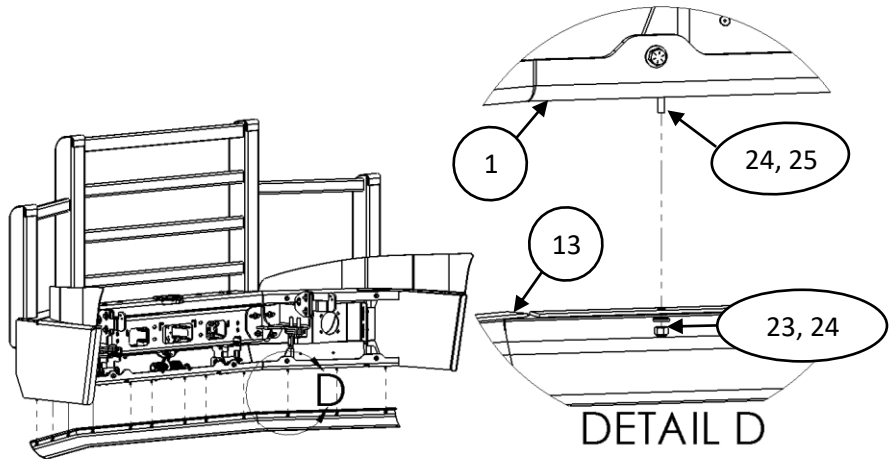


Figure 16 – Air Deflector Installation.

17. If the truck was equipped with radar sensor, install radar sensor onto Herd sensor bracket using the OEM hardware. Reattach wiring to the radar sensor unit.

Note:

To install sensor unit, refer to Herd Radar Sensor Installation Guide (S009).

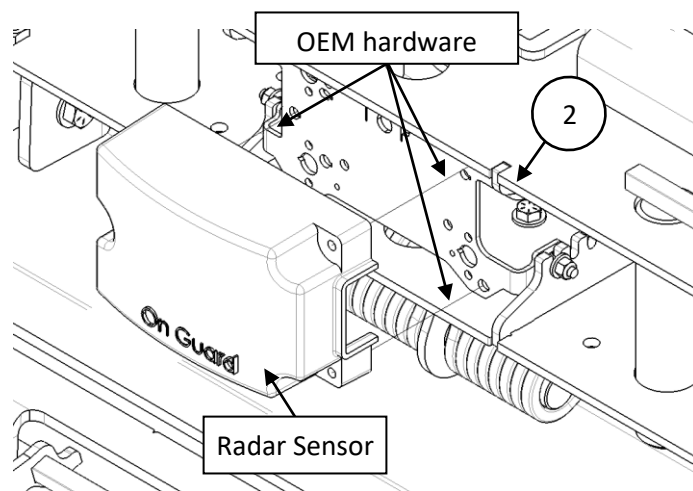


Figure 17 – Radar Sensor Unit Installation.

Installation Procedure

18. If installing surface-mount signal lamps, 4LMPA001, apply at max 85 in-lbs (7ft-lbs, 9.6Nm)

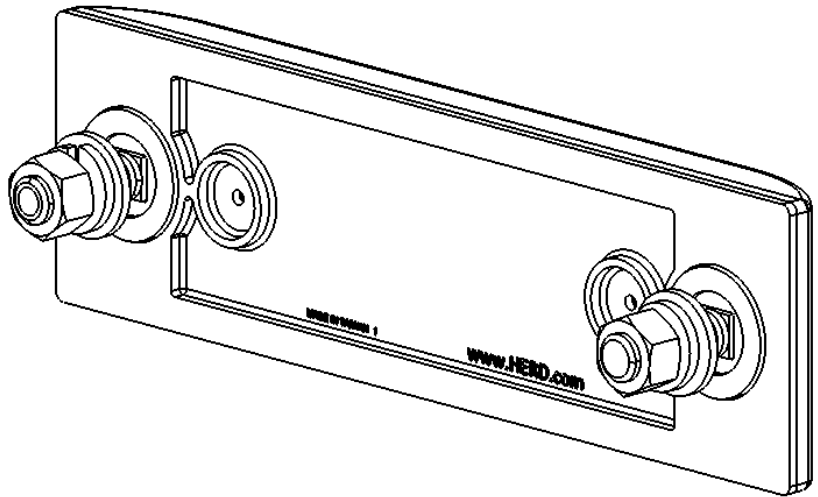


Figure 18 – Signal Light Installation.

Important

- Check mounting points after the first 5000 km and every 3-6 month.
- This bumper is equipped with Herd Slam Latch which requires periodic adjustment. Refer to Slam Latch Installation adjustment instructions (S001) to properly adjust your Slam Latch.