

- This document shows how to install your new Truck Guard onto your truck.
- Ensure that you have completely read and understand document **S017 - Safety** before beginning this installation procedure.

I. Removing the OEM Front Bumper



Figure 1a: OEM Light Harness

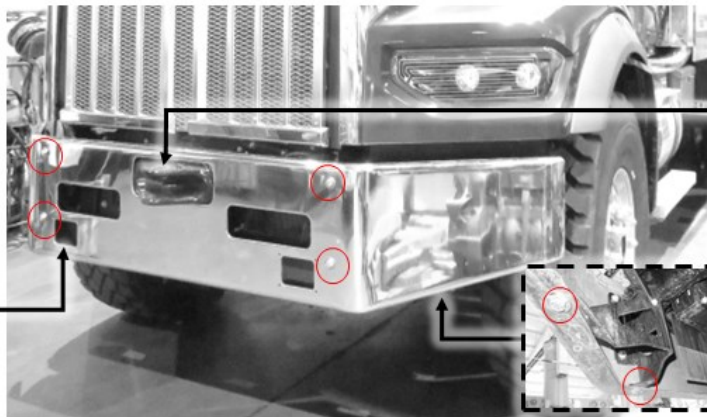


Figure 1c: Remove OEM Bumper



Figure 1b: Remove OEM Tow Pin

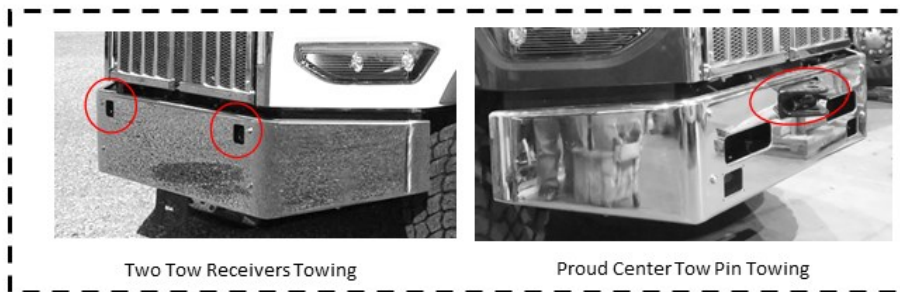


Figure 1d: Towing Type

Figure 1: Removing the OEM Front Bumper (Your Truck may not be exactly as shown)

1. Unplug the OEM Light's Wiring Harness as shown in Figure 1a.
2. If the truck is equipped with a Proud Center Tow Crossmember remove the OEM Tow Pin from the front OEM Center Tow Crossmember as shown in Figure 1b.
3. Remove the OEM Front Bumper by removing the circled bolts. Generally, there will be four bolts at the front and depending on the truck there may be four bolts behind of the bumper; see Figure 1c.
4. Identify your Truck's Tow Crossmember; see Figure 1d

If your Truck is equipped with Proud Center Tow Pin Towing proceed with Section II (For Future Release Only).

If your Truck is equipped with Two Tow Receivers Towing proceed with Section III.

II Installing the HERD Submounts and Truck Guard on a truck with Proud Center Towing

***No Confirmed Fitment yet (for Future Reference ONLY)**

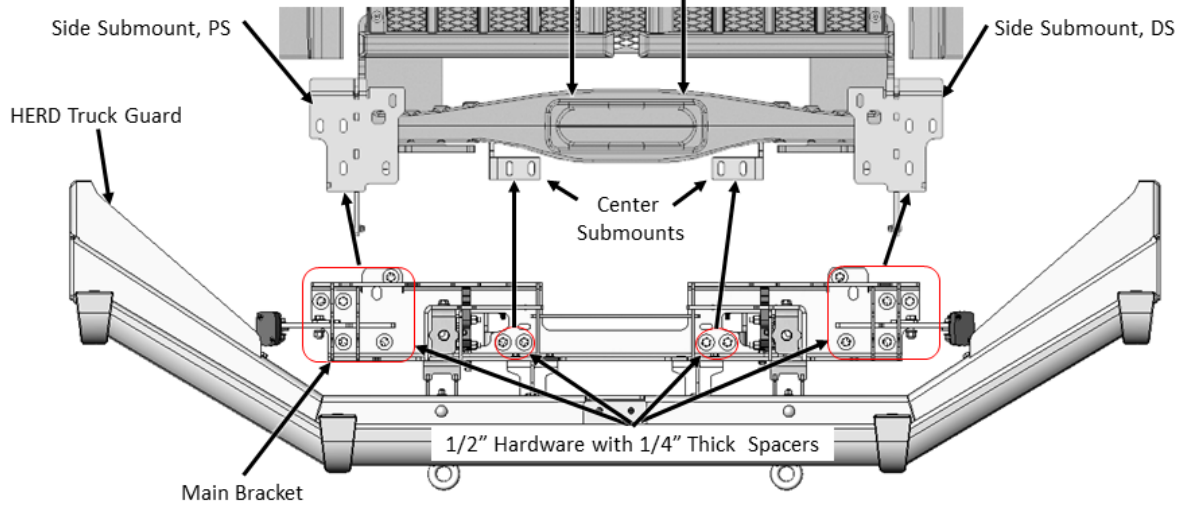
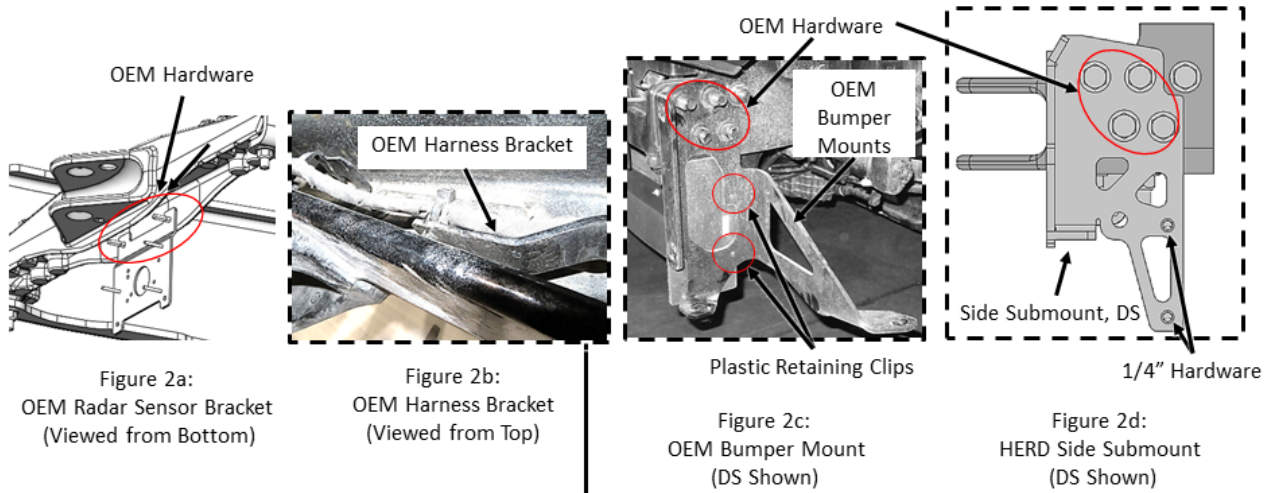


Figure 2f: HERD Truck Guard Assembly

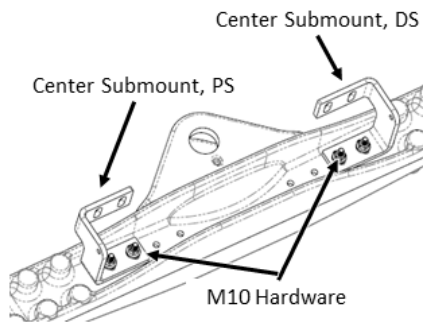


Figure 2e: Center Submounts (Viewed from Bottom)

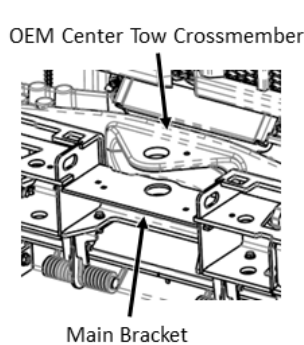


Figure 2g: Main Bracket

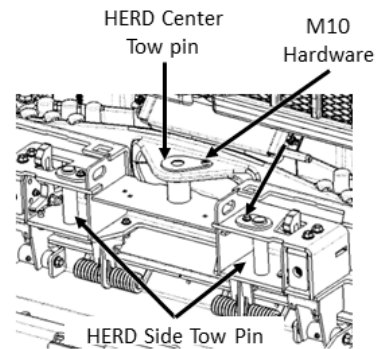


Figure 2h: Tow Pin

Figure 2: HERD Submounts and Truck Guard Installation on a Truck with Proud Center Tow Crossmember

1. If the truck is equipped with Collision Avoidance System (CAS), disconnect the Radar Sensor, and remove the Radar Sensor Bracket as shown in Figure 2a. Retain the Radar Sensor and hardware for later use.
2. Temporarily remove the OEM Harness Bracket from the upper rear of OEM Center Tow Crossmember as shown in Figure 2b.
3. Remove the Plastic Retaining Clips to detach the rubber deflectors from the OEM Bumper Mounts. Then remove the OEM Bumper Mounts as shown in Figure 2c.
4. Install the HERD Side Submount using the OEM Hardware; see Figure 2d. Reattach the rubber deflectors using the supplied 1/4" Hardware. Fully tighten the OEM Hardware. Do this one side at a time. Repeat this step on the other side of the truck.
5. Re-install the OEM Harness Bracket to the upper rear of OEM Center Tow Crossmember as shown in Figure 2b and Install the Center Submounts at the bottom of OEM Center Tow Crossmember as shown in Figures 2e and 2f. Use the provided M10 Hardware to fasten loosely.
6. Lift the Main Bracket and Truck Guard (opened) assembly and mount it to the truck's Crossmember; see Figure 2g. Fasten the Main Bracket to the HERD Side and Center Submounts using the provided 1/2" Hardware with 1/4" Thick Washers as shown in Figure 2f. **Torque the M10 Hardware to 48 ft-lb; torque the 1/2" Hardware to 96 ft-lb.**
7. Once the Main Bracket is secured, install the Center Tow Pin using the provided Low Profile Head-M10 Hardware and Side Tow Pin's with the 3/8" Hardware, see Figure 2h. **Torque the M10 Hardware to 48 ft-lb and the 3/8" Hardware to 39 ft-lb.**
8. Close the bumper and check the Slam Latch adjustment. If necessary, adjust the Slam Latch. Refer to C4-02 Slam Latch Adjustment Guide (S012) to properly adjust your Slam Latch.

III Installing the HERD Submounts and Truck Guard on a Truck with Two Tow Receivers Towing

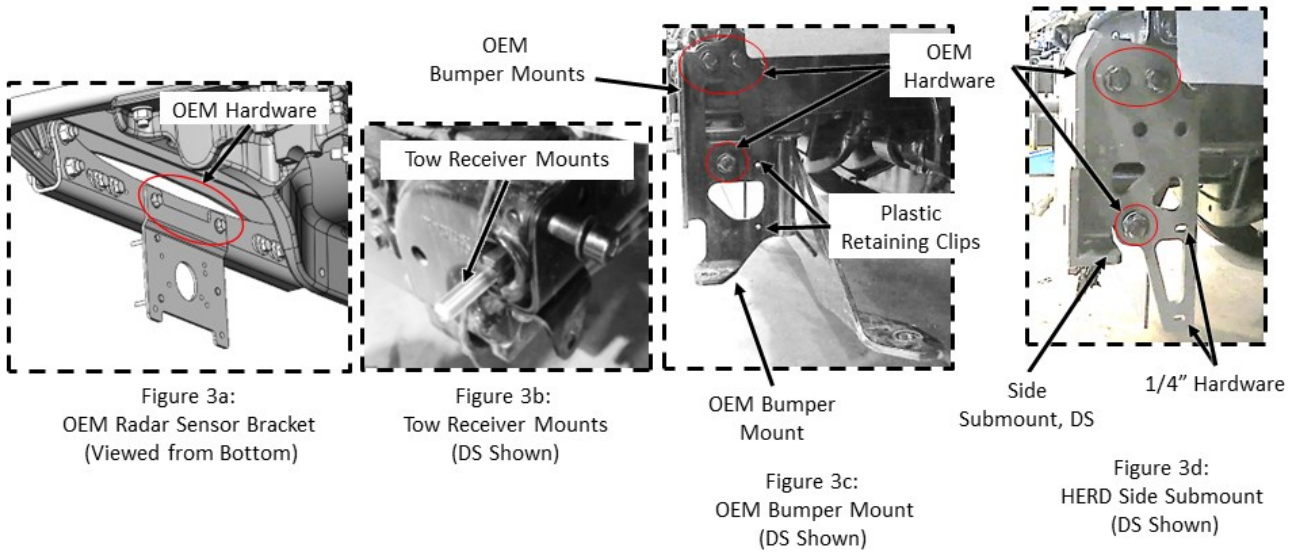


Figure 3a:
OEM Radar Sensor Bracket
(Viewed from Bottom)

Figure 3b:
Tow Receiver Mounts
(DS Shown)

Figure 3c:
OEM Bumper Mount
(DS Shown)

Figure 3d:
HERD Side Submount
(DS Shown)

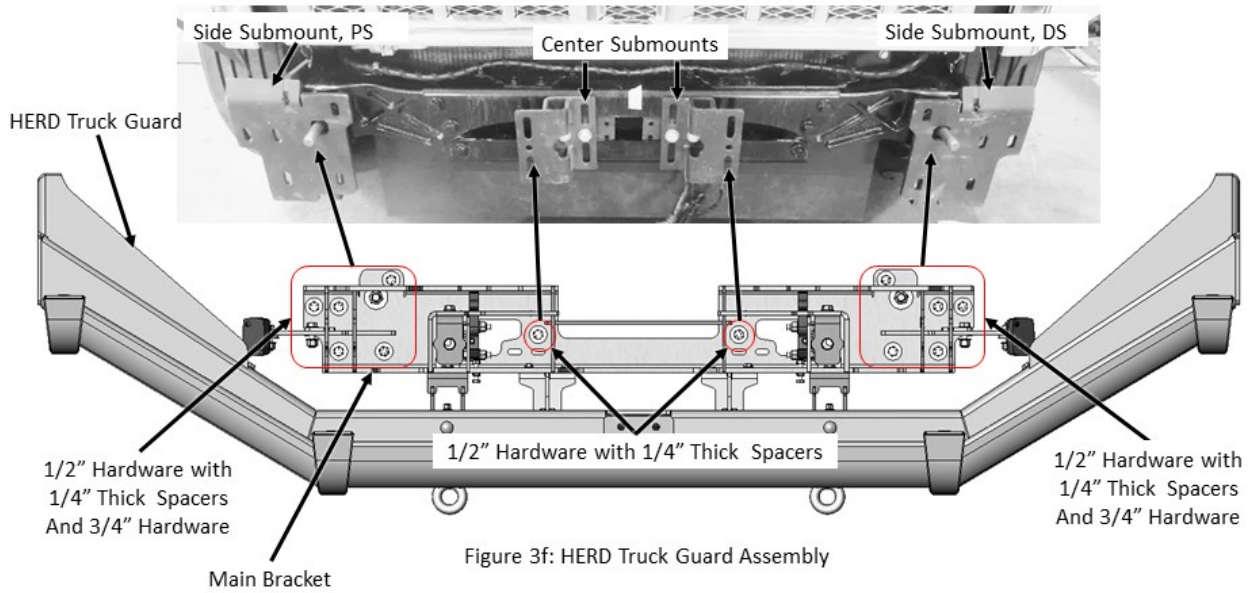


Figure 3f: HERD Truck Guard Assembly

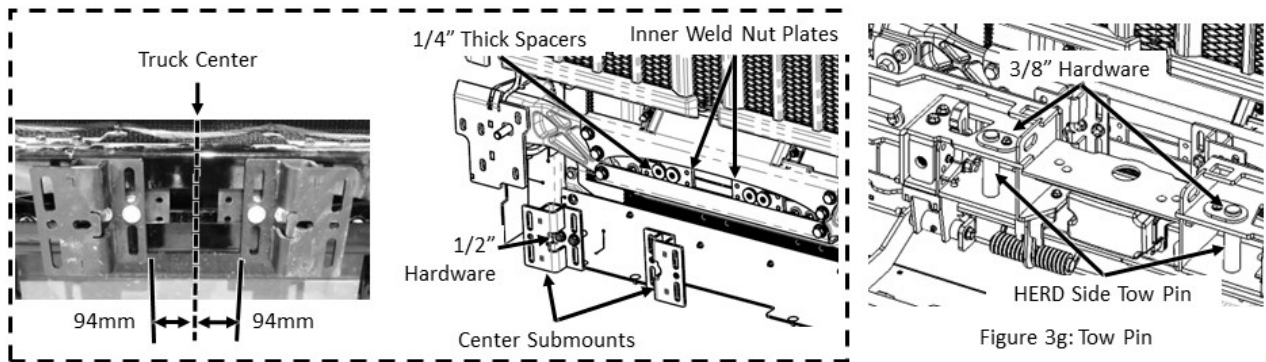


Figure 3e: HERD Center Submounts

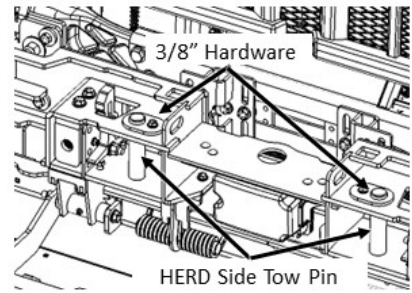


Figure 3g: Tow Pin

Figure 3: HERD Submounts and Truck Guard Installation on a Truck with Two Tow Receivers Crossmember

1. If the truck is equipped with Collision Avoidance System (CAS), disconnect the Radar Sensor, and remove the Radar Sensor Bracket as shown in Figure 3a. Retain the Radar Sensor and hardware for later use.
2. Install the Tow Receiver Mounts to the truck's Tow Receiver; see Figure 3b.
3. Remove the Plastic Retaining Clips to detach the rubber deflectors from the OEM Bumper Mounts. Then remove the OEM Bumper Mounts as shown in Figure 3c.
4. Install the HERD Side Submounts using the OEM Hardware; see Figure 3d. Reattach the rubber deflectors using the supplied HERD 1/4" Hardware. Fully tighten the OEM Hardware. Do this one side at a time. Repeat Steps 2 to 4 on the other side of the truck.
5. Install Inner Welded Nut Plates, 1/4" Thick Spacers and Center Brackets to the OEM Center Crossmember in the order and position shown in Figure 3e. Use the provided 1/2" Hardware to fasten. **Torque the 1/2" Hardware to 96 ft-lb.**
6. Lift the Main Bracket and Truck Guard (opened) Assembly and mount it to the truck. Fasten the Main Bracket to the HERD Side and Center Submounts using the provided 1/2" Hardware with 1/4" Thick Washers and 3/4" Hardware; see Figure 3f. **Torque the 1/2" Hardware to 96 ft-lb, and the 3/4" Hardware to 240 ft-lb.**
7. Once the Main Bracket is secured, install Side Tow Pins with the 3/8" Hardware as shown in Figure 3g. **Torque the 3/8" Hardware to 39 ft-lb.**
8. Close the bumper and check the Slam Latch adjustment. If necessary, adjust the Slam Latch. Refer to C4-02 Slam Latch Adjustment Guide (S012) to properly adjust your Slam Latch.

IV. Installing the OEM Light and HERD Light Bracket

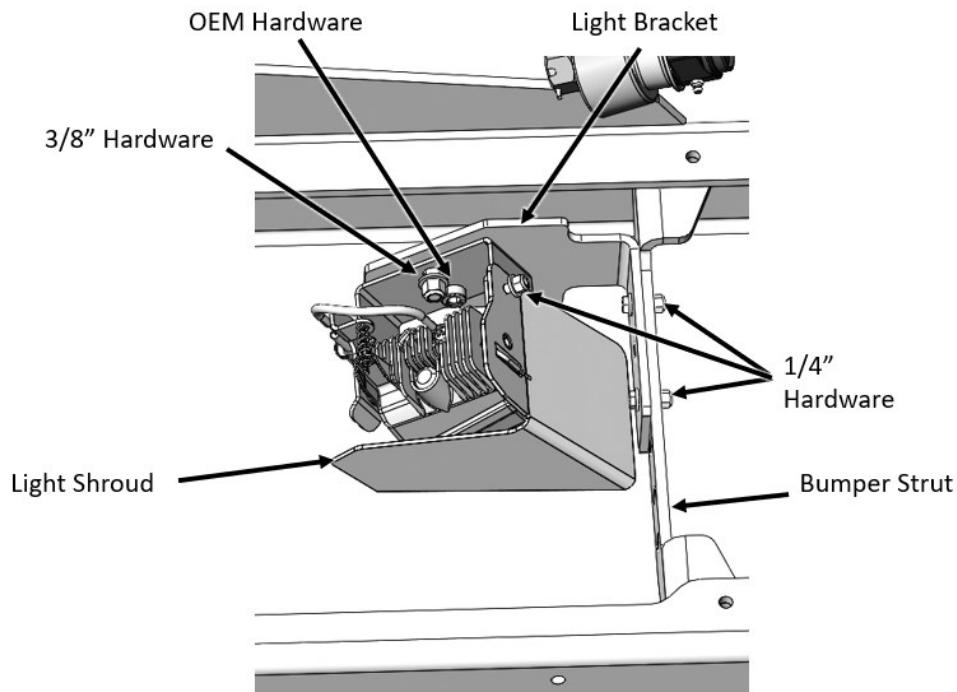


Figure 4a: OEM Light and HERD Light Bracket Assembly (DS Shown)

Figure 4: OEM Light Installation (Your Truck may not be exactly as shown)

1. Mount the Light Shroud to the OEM Light using the provided 1/4" Hardware; see Figure 4a.
2. Using the provided 1/4" Hardware, install the Light Bracket to the Bumper Strut. Then install the OEM Light and Light Shroud assembly to the Light Bracket using the OEM Hardware and provided 3/8" Hardware as shown in Figure 4a.
3. Repeat Steps 1 and 2 on the other side of the truck.
4. Plug the OEM Light Harness into each Fog Light and ensure they function normally. Secure loose wiring with cable ties.

V. Installing the OEM Radar Sensor and Radar Sensor Bracket

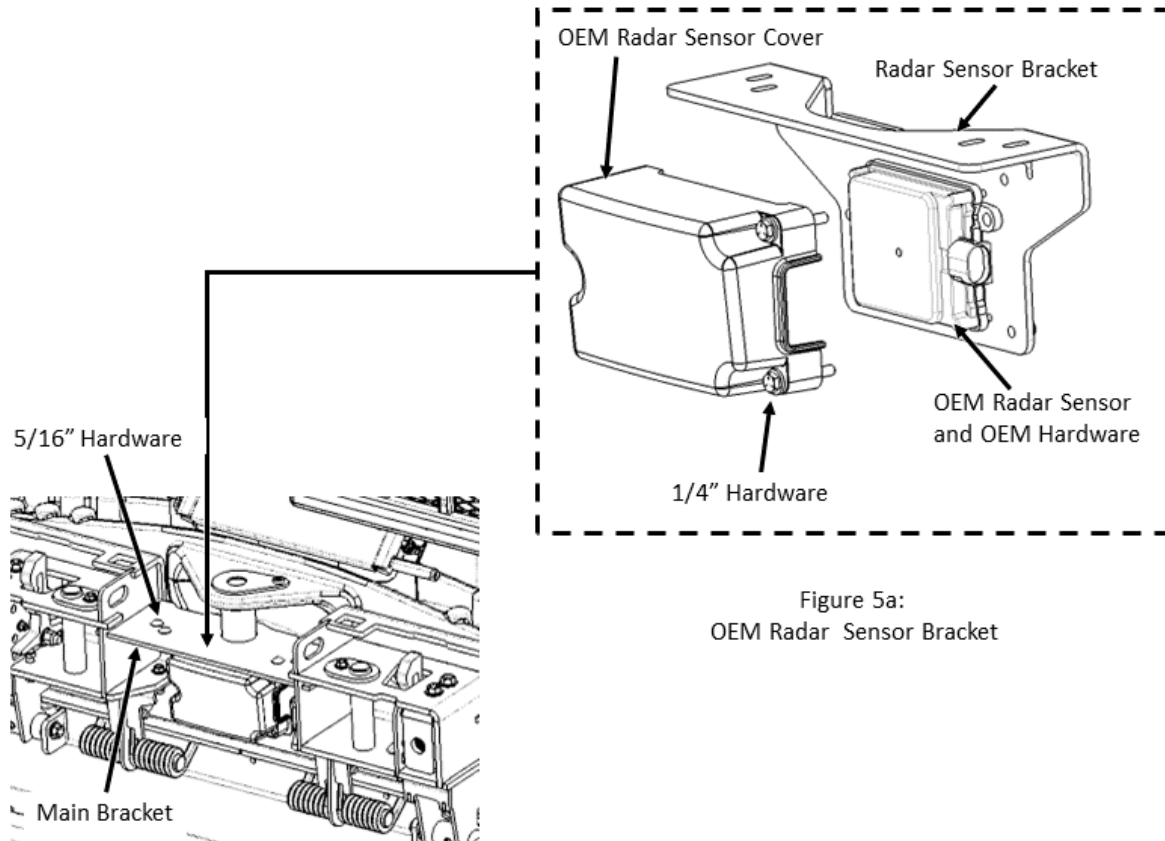


Figure 5a:
OEM Radar Sensor Bracket

Figure 5b:
OEM Radar Sensor Bracket Assembly to Main Bracket

Figure 5: OEM Radar Sensor Installation (Your Truck may not be exactly as shown)

1. Mount the Radar Sensor using OEM Hardware and OEM Radar Sensor Cover to HERD Radar Sensor Bracket using the provided 1/4" Hardware; see Figure 5a.
2. Install the Radar Sensor and Bracket Assembly to the Main Bracket with the provided 5/16" Hardware as shown in Figure 5b.
3. Align the Radar Sensor. Refer to the OEM service procedure if calibration or instructions are necessary.

Important: Check mounting points' hardware after the first 5000 km and every 3-6 months. Re-torque if necessary.